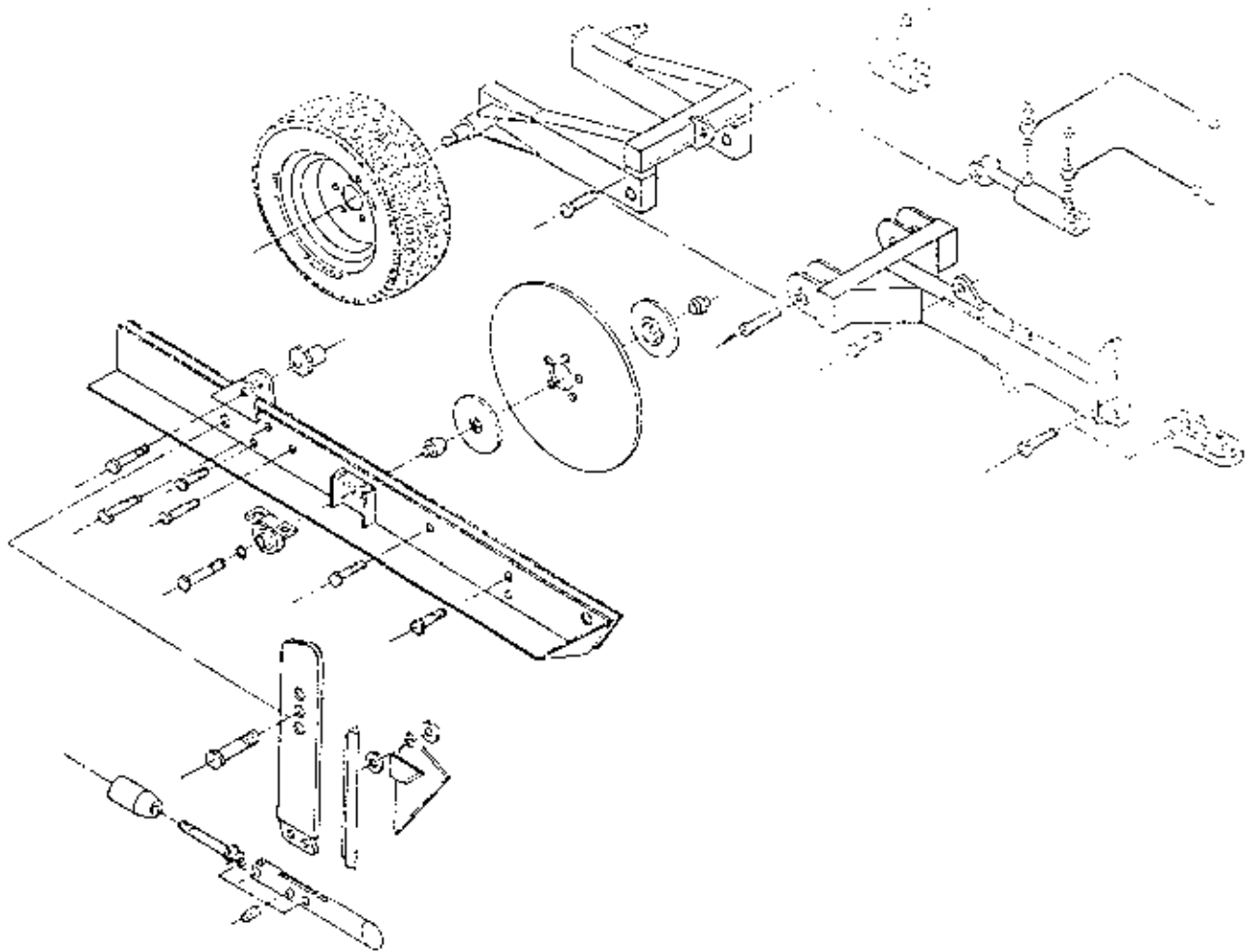


SINGLE LEG TRAILED MOLE DRAINER

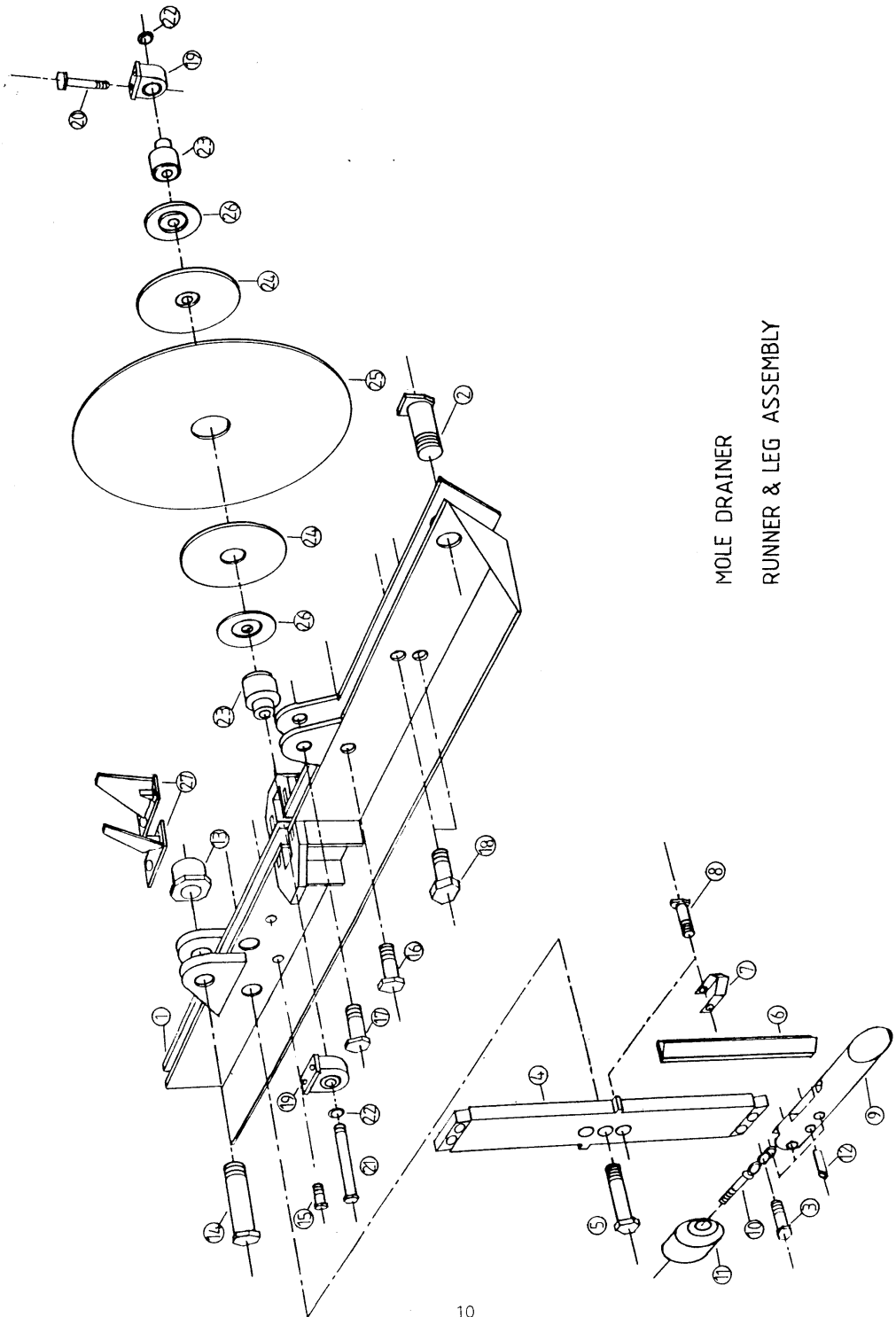


OPERATORS MANUAL

&

SPARE PARTS BOOK

4271 57



MOLE DRAINER
RUNNER & LEG ASSEMBLY

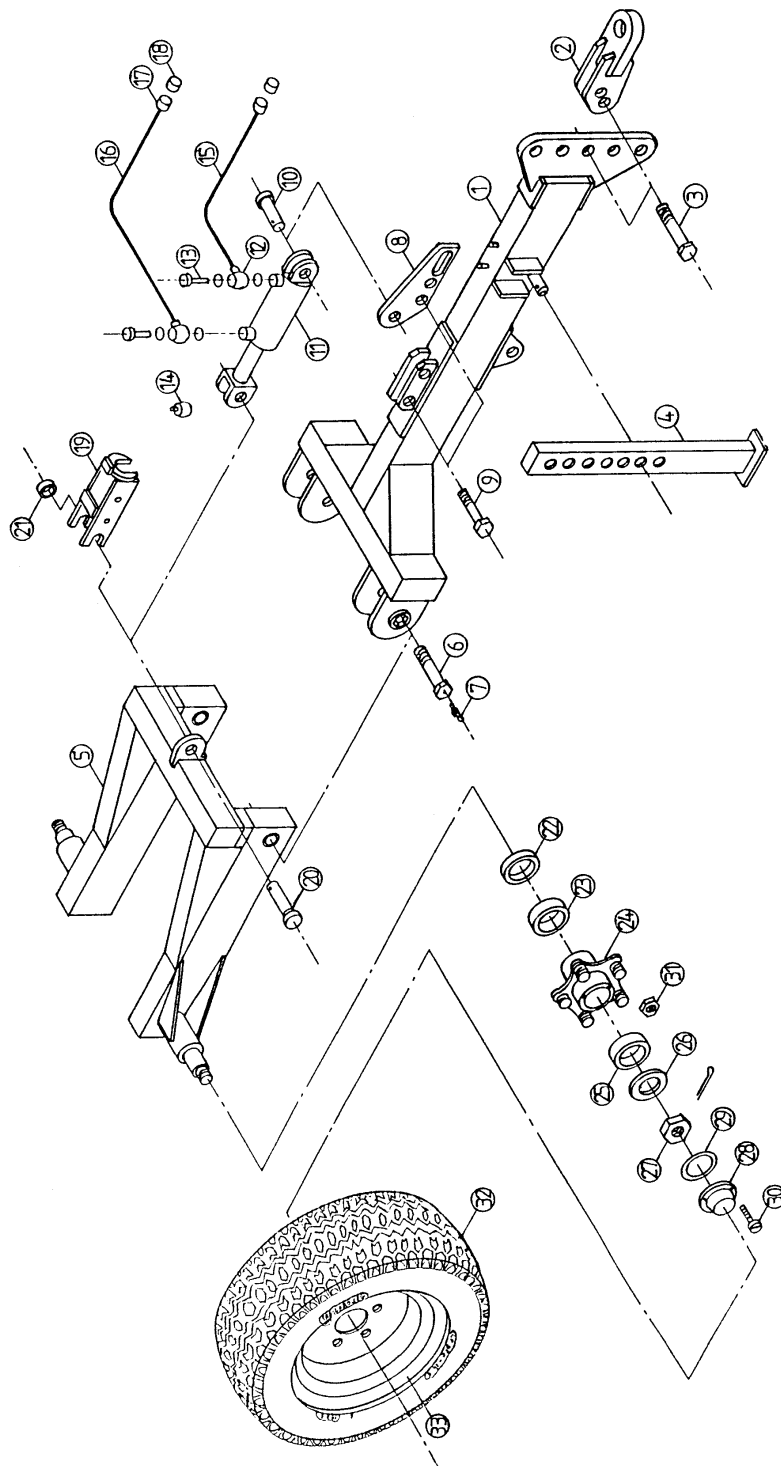
SINGLE LEG TRAILED MOLE DRAINER

- RUNNER AND LEG ASSEMBLY

<u>ITEM NO.</u>	<u>PT. NO.</u>	<u>DESCRIPTION</u>
1	2324	Main Runner
2	3321	Main Linkage Bolt 1 3/4" BSW * 185
3	0014	Expander Transport Bolt M24 * 80
4	1949	Double Ended Mole Leg 32 mm
	1950	Double Ended Mole Leg 40 mm
5	0043	Mole Leg Retaining Bolt M36 * 160
6	0688	Wear Strip
7	3016	Wear Strip Retaining Bracket
8	1102	Wear Strip Retaining Bolt M16 * 70
9	0689	75 mm Mole Bullet
10	1143	Expander Centre Bolt
11	0690	95 mm Expander
12	0691	Roll Pin
13	0804	Eccentric Bush
14	1366	Eccentric Bush Bolt M36 * 180
15	2318	Retaining Bolt M16 * 120
16	0789	Drawbar/Runner Retaining Bolt M24 * 180
17	0789	Drawbar Attachment Bolt M24 * 180
18	0030	Runner Retaining Bolt M30 * 130
19	1952	Coulter bearing
20	0006	Bearing Bolt M12 * 80
21	2656	Coulter Bolt M24 * 260
22	2321	Bearing Washer
23	2322	Disc Coulter Sleeve
24	2323	Disc Coulter Clamp Plate
25	1137	600 mm Disc Coulter
26	1514	Bellville Washer
27	3329	Disc Scrapers (pair)

WHEN ORDERING SPARE PARTS PLEASE QUOTE PART NUMBER
MODEL AND SERIAL NUMBER.

TRAILED SINGLE BEAM MOLE DRAINER
DRAWBAR & AXLE ASSEMBLY



SINGLE LEG TRAILED MOLE DRAINER

- DRAWBAR AND AXLE ASSEMBLY

ITEM NO.	PT NO.	DESCRIPTION
1	2325	Drawbar Frame
2	0294	Drawbar Shackle
3	0042	Shackle Bolt M36 * 150 HT
4	3330	Drawbar Stand
5	2326	Axle Frame
6	1720	Drawbar/Axle Greasable Bolt M30*180
7	0071	Grease Nipple
8	3331	Hydraulic Cylinder Attachment Plate
9	3332	Attachment Plate Bolt M24 * 80 (2 required)
10	1274	Drawbar Cylinder Pin 25 * 115 mm
11	0160	Hydraulic Cylinder 100 * 230 D/A
	0161	Cylinder Seal kit For 100 * 230 D/A
12	0200	Banjo Block
	2263	1/2" B.S.P Bonded Washer
13	0724	Restricted Banjo Bolt
14	1386	Vented Blanking Plug
15	0182	8 Ft Hydraulic Hose
16	0183	9 Ft Hydraulic Hose
17	0204	Male - Male Adaptor
18	0205	Quick Release Coupling
19	1147	Transport Collar
20	1148	Transport Collar Pin
21	1149	Transport Collar Bush
22	0439	Grease Seal
23	0440	Inner Bearing (Cup and Cone)
24	0438	Hub Casting
25	0440	Outer Bearing (Cup and Cone)
26	0442	Bearing Washer
27	0443	Bearing Nut
28	0445	Dust Cap
29	0444	Dust Cap Gasket
30	0446	Dust Cap Retaining Bolt (3 per hub)
31	0447	Wheel Nut L/H
	0448	Wheel Nut R/H
	0706	Wheel Stud L/H
	0707	Wheel Stud R/H
32	1072	10.0/75-15 10 Ply Tyre
	1074	Tube For 10.0/75-15 Tyre
	0138	11.5/80-15 10 Ply Tyre
	0139	Tube For 11.5/80-15 Tyre
33	1073	5 Stud Rim For 10.0/75-15 Tyre
	0140	5 Stud Rim For 11.5/80-15 Tyre

WHEN ORDERING SPARE PARTS PLEASE QUOTE PART NUMBER
MODEL AND SERIAL NUMBER OF MACHINE.



①



②



④

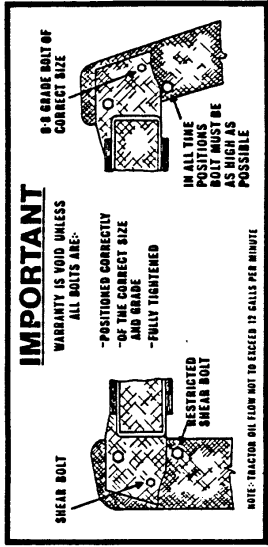


⑤



⑦

ALWAYS REPLACE WORN STICKERS !



③

IMPORTANT SIMBA MACHINES

NEW MACHINES

- 1) TIGHTEN ALL NUTS AND BOLTS AT 5 HOURS.
- 2) TIGHTEN ALL NUTS AND BOLTS AT 15 HOURS.
- 3) TIGHTEN DISC AXLE NUTS AT 5, 15 AND 30 HOURS.

DAILY SERVICE

- 1) GREASE BEARING EVERY 10 HOURS TILL GREASE SHOWS.
- 2) GREASE FRONT AXLE HUBS ON TWO POINTS.
- 3) GREASE REAR AXLE HUBS ON TWO POINTS.
- 4) CHECK OVER ALL NUTS AND BOLTS INCLUDING WHEEL NUTS.

100 HOUR SERVICE

- 1) REMOVE WHEEL HUB CAPS AND FILL WITH GREASE.
- 2) TIGHTEN ALL WHEEL NUTS.
- 3) CHECK COVER MACHINE.
- 4) CHECK HYDRAULIC COUPLINGS.

NOTE: TRACTOR OIL FLOW NOT TO EXCEED 15 GALLONS PER MINUTE

⑥



⑧

NOT
TO
SCALE

SIMBA STICKERS

ITEM NO.	PT. NO.	DESCRIPTION, SIZE & COLOUR
1	2906	SIMBA - 205mm X 60mm (SMALL) RED & BLACK
	2907	SIMBA - 322mm X 93mm (MEDIUM) RED & BLACK
	2908	SIMBA - 670mm X 160mm (LARGE) RED & BLACK
2	2909	SIMBA ADDRESS - 200mm X 70mm YELLOW, BLACK, RED & BLUE
3	2910	* IMPORTANT (TINE BOLTS) - 280mm X 137mm WHITE, BLACK & RED
4	2911	UNION JACK (BRITISH MANUFACTURED) - 126mm X 87mm - RED, WHITE & BLUE
5	2912	SIMBA "S" - 79mm X 92mm RED & BLACK
	2913	SIMBA "S" - 167mm X 167mm RED & BLACK
6	2914	* IMPORTANT (SIMBA MACHINES) - 260mm X 136mm WHITE, BLACK & RED
7	2915	MONO - 325mm X 94mm RED & BLACK
8	2916	SILVER AWARD (ALL FARM) - OVAL 140mm X 68mm SILVER & BLACK
9	2917	FLOW KING - mm X mm RED & BLACK - NOT ILLUSTRATED
10	2918	* DANGER (RAISED SECTIONS) - 205mm X 69mm WHITE, BLACK, RED & YELLOW - NOT ILLUSTRATED

* **IMPORTANT**

ALWAYS REPLACE SAFETY AND MAINTENANCE STICKERS IF WORN.