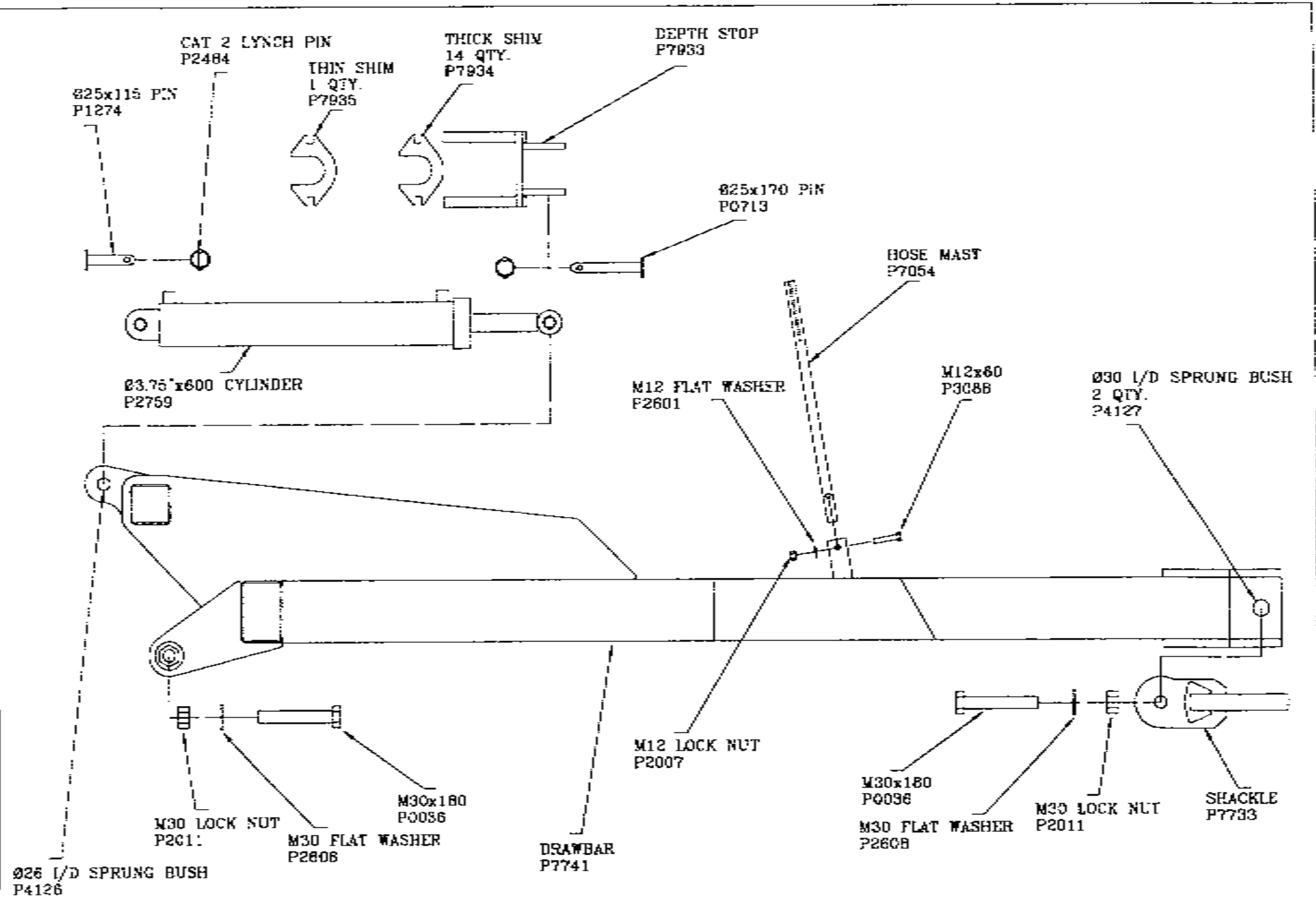
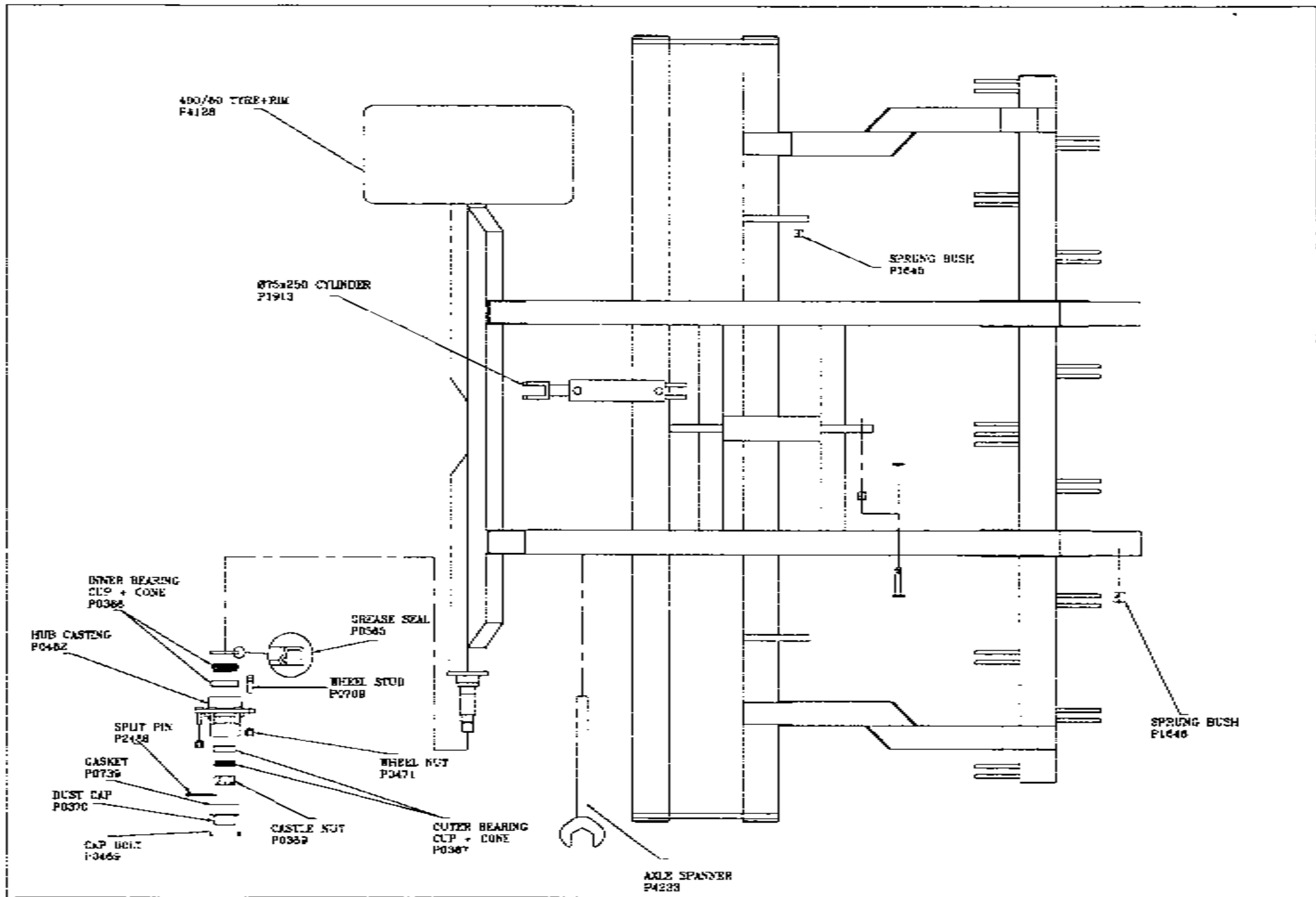


**CULTI** *Press*<sup>®</sup>  
3.3m+4.0m RIGID



W.C.B. CULTPRESS - DRAWBAR FITTINGS

DRAWN 22/4/87 UPDATED	PART NUMBER	FROM SERIAL NO.	TO SERIAL NO.	ISSUE	DRAWING NO.
		8125		1	AS0359



CULTIPRESS - 3.3m + 4.0m W.O.B. MAIN FRAME FITTINGS

DRAWN	PART NUMBER	FROM SERIAL NO.	TO SERIAL NO.	ISSUE	DRAWING NO.
20/4/97 UPDATED :		8125		1	AS0350

PIN  
P5207  
R CLIP  
P2485  
Ø6 ROLL PIN  
P5208

2"x1" TINE  
P5533

STANDARD POINT  
FREEFLOW POINT  
P5660

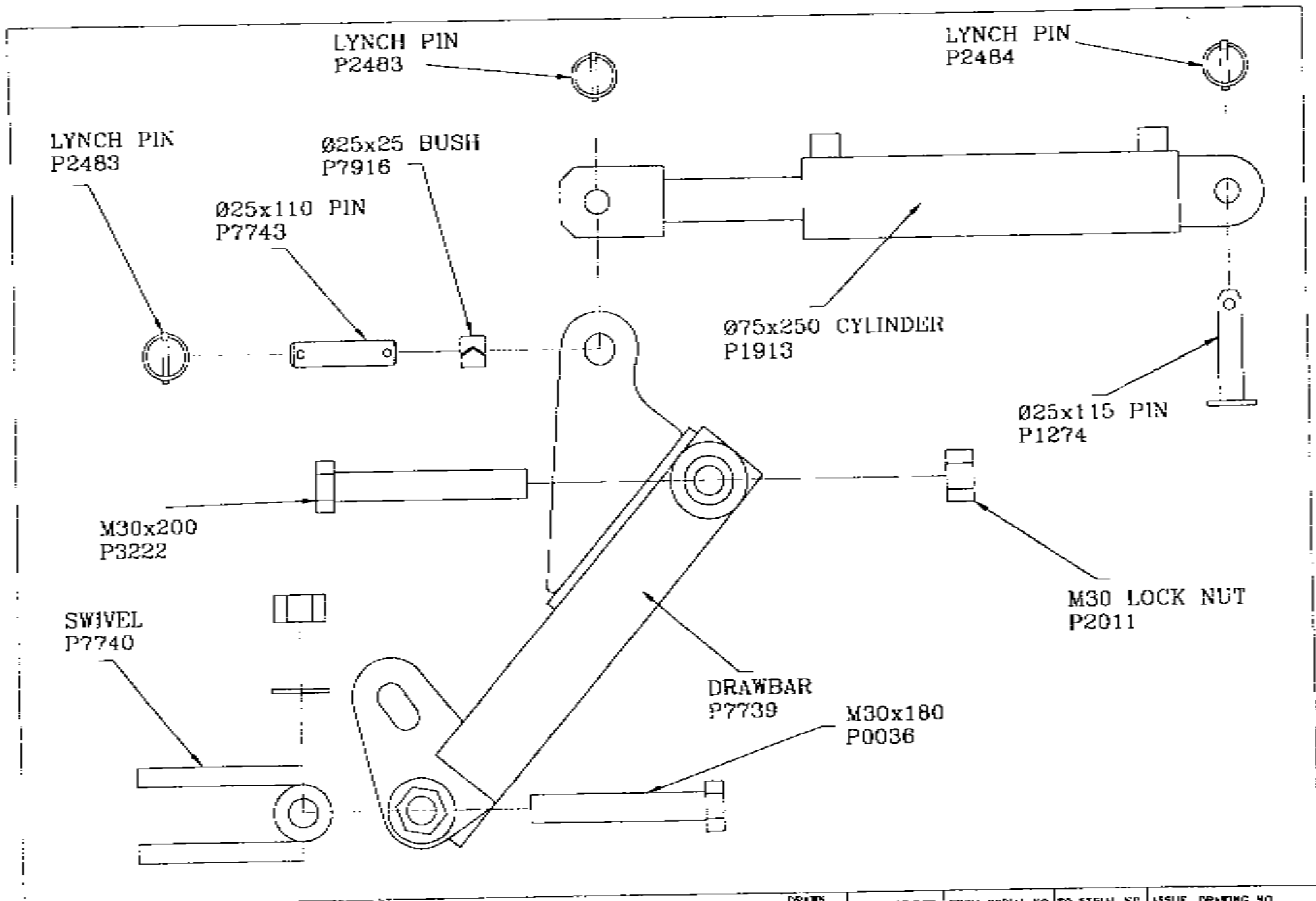
7/16"x75 CSK  
P3448

M16 NOTCHED SHEAR BOLT  
P5103  
M16 SPRING WASHER  
P2038  
M16 FLAIN NUT  
P1358

POINT OPTION	PT.NO.
H/D REVERSIBLE	P3017

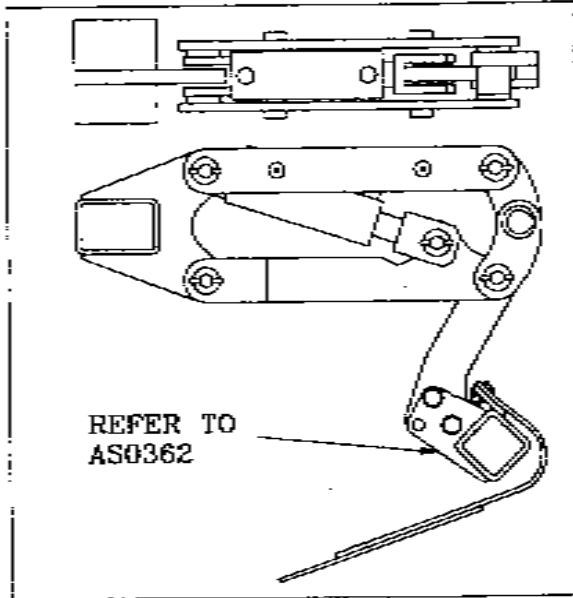
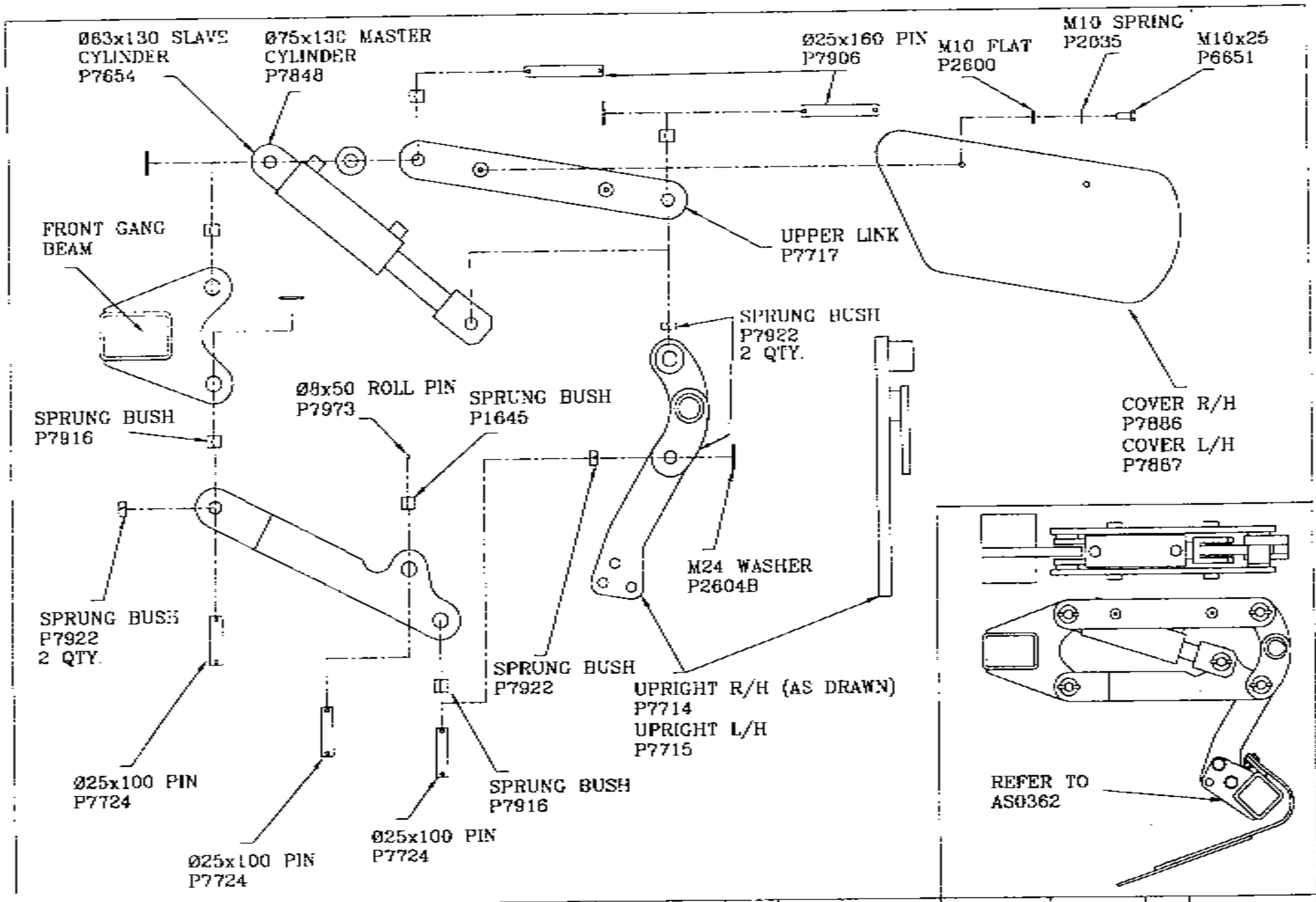
CULTIPRESS - LEADING TINE FITTINGS

BAC/ASS	DRAWN 20/3/87	PART NUMBER	FROM SERIAL NO.	TO SERIAL NO.	ISSUE	DRAWING NO.
	UPDATED	8125			1	AS0383

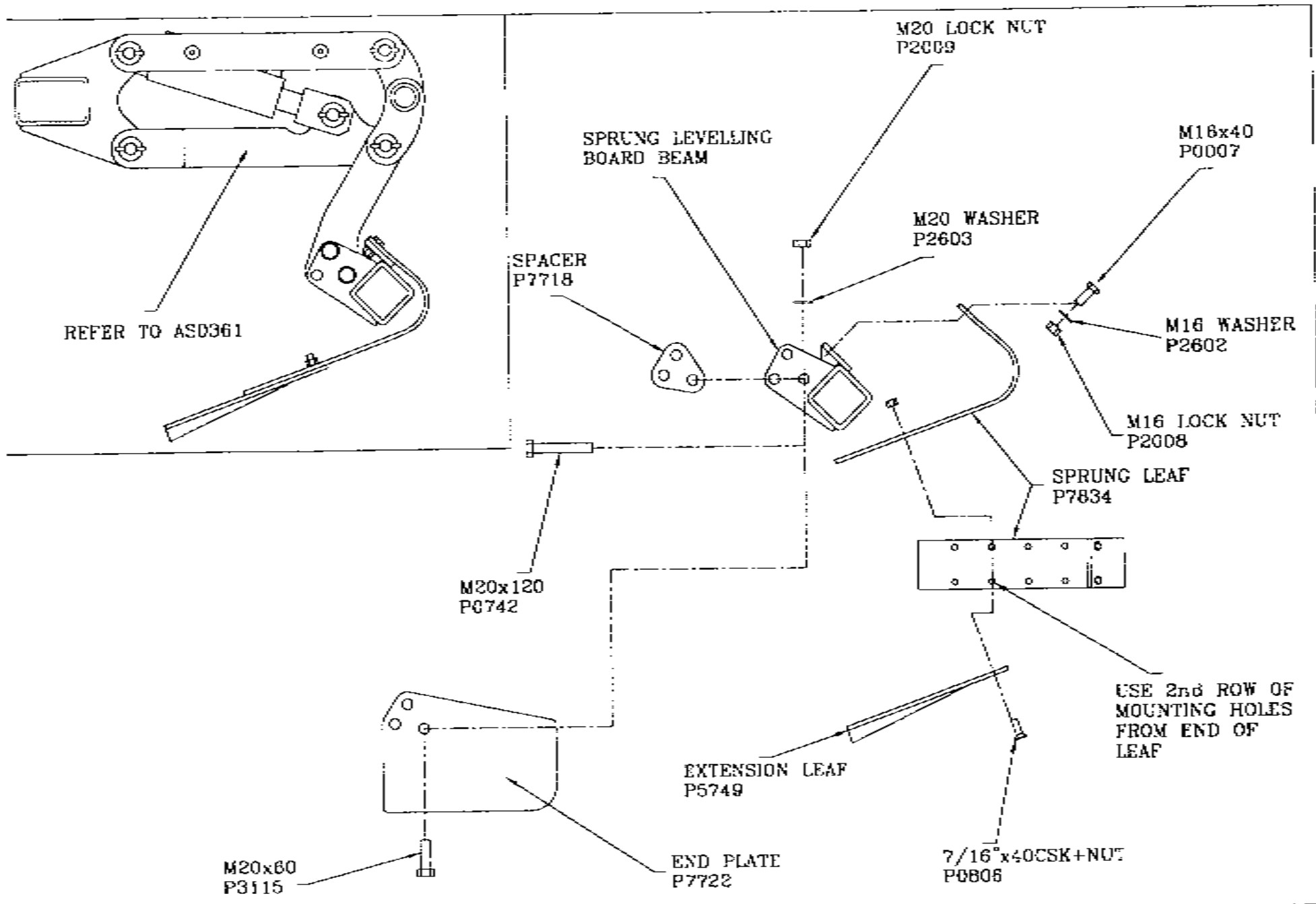


CULTIPRESS - HYDRAULIC REAR DRAWBAR

DRAWN 20/4/87 UPDATED	PART NUMBER 8125	FROM SERIAL NO. 	TO SERIAL NO. 	ISSUE DRAWING NO 1 AS0353
-----------------------------	---------------------	---------------------	-------------------	------------------------------

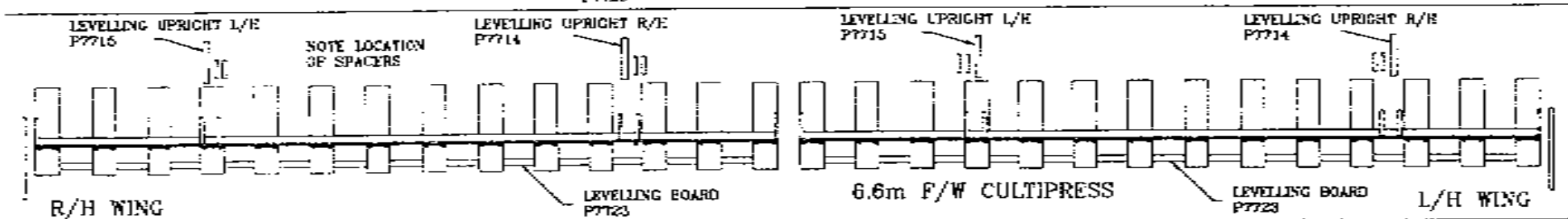
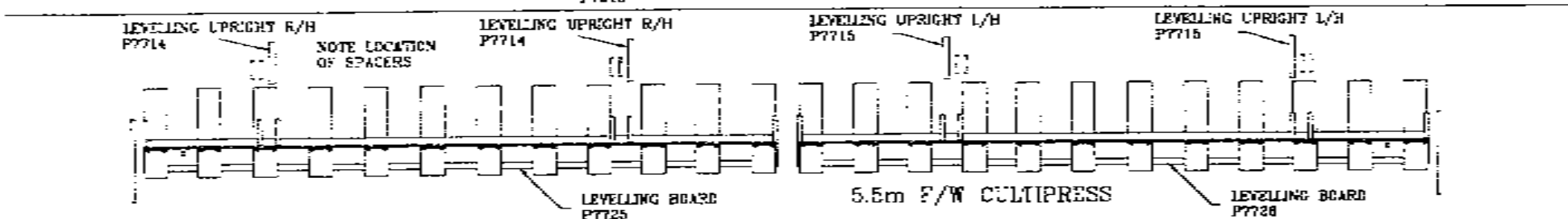
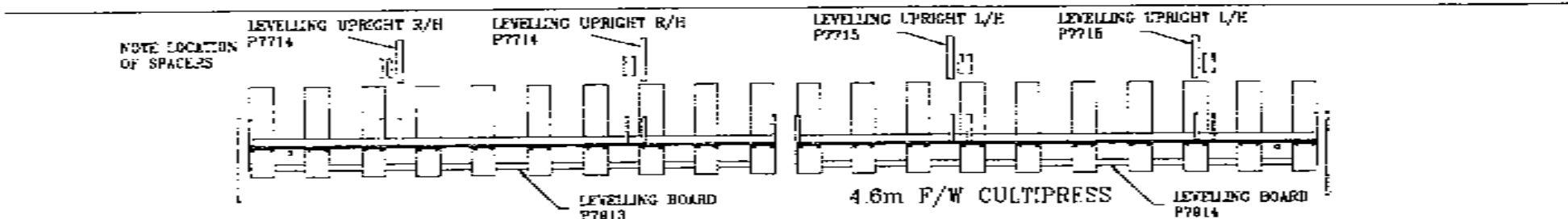
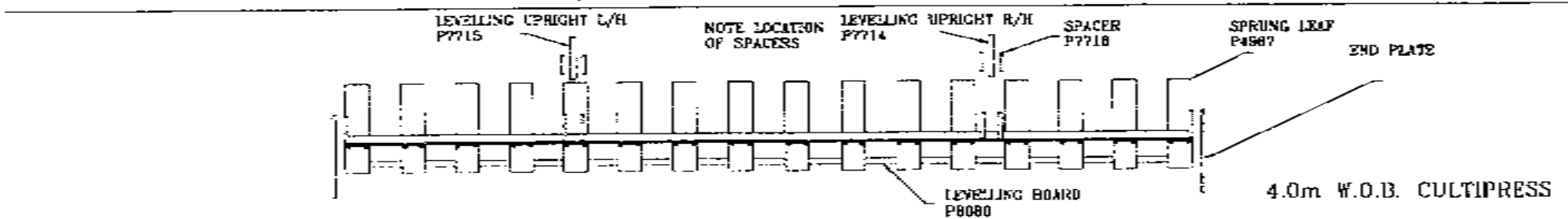
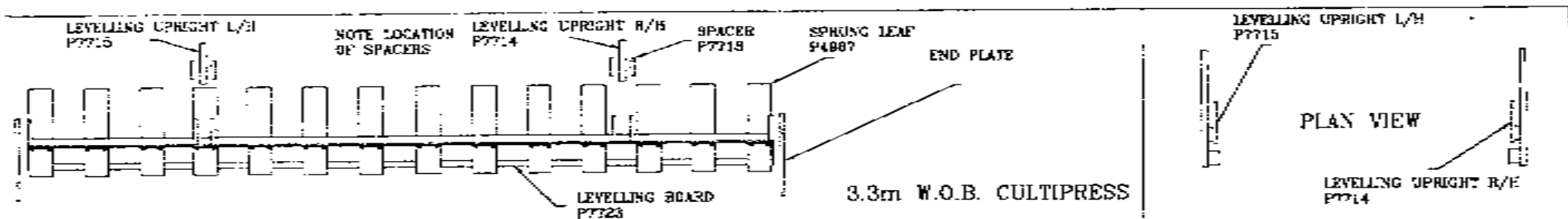


CULTIPRESS - HYDRAULIC LEVELLING BOARD UNIT	DRAWN	PART NUMBER	FROM SERIAL NO.	TO SERIAL NO.	ISSUE	DRAWING NO.
	20/4/97					
	UPDATED					



CULTPRESS - LEVELLING BOARD FITTINGS

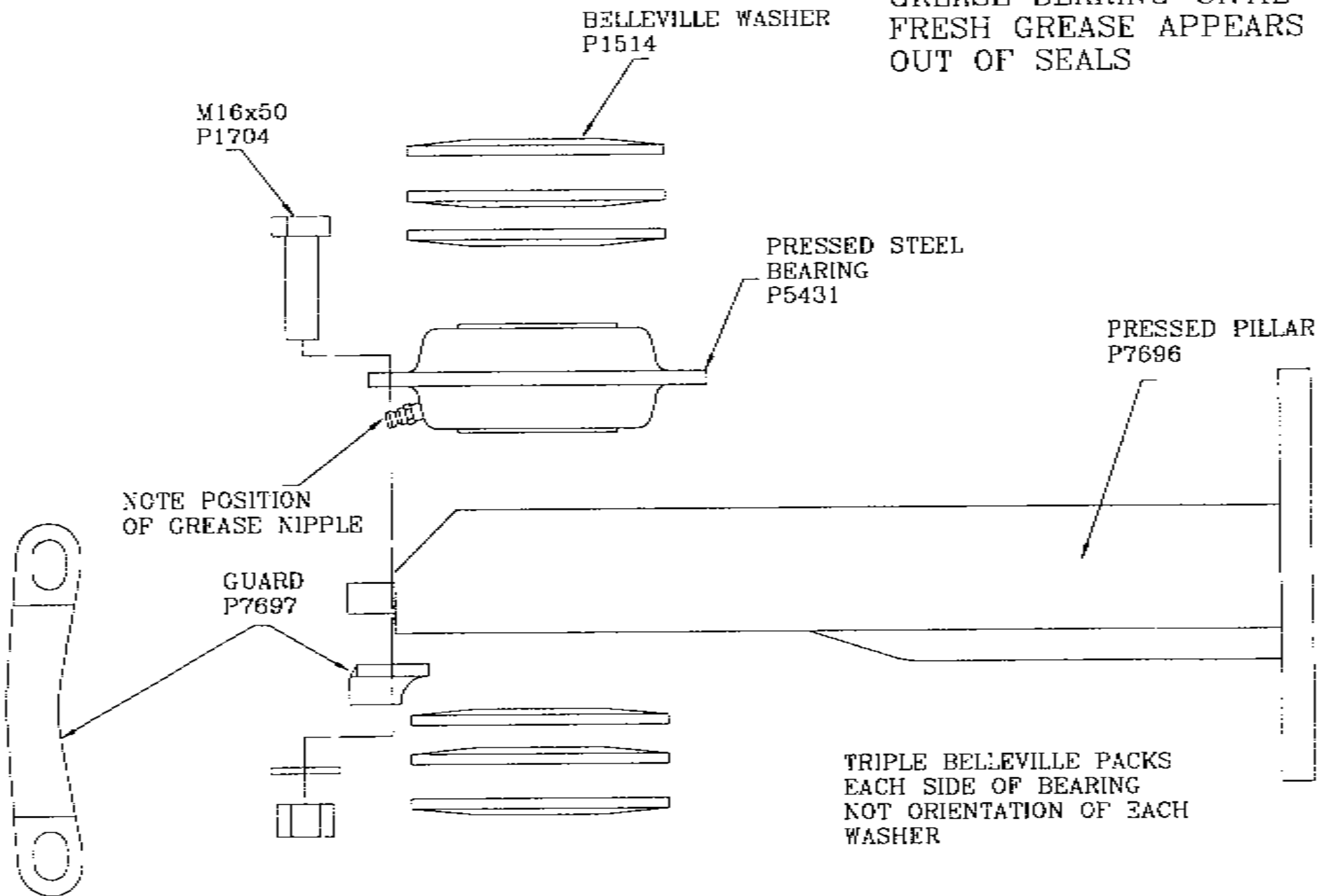
DRAWN	PART NUMBER	FROM SERIAL NO.	TO SERIAL NO.	ISSUE	DRAWING NO.
20/4/97 UPDATED 30/10/99		8400		B	AS0362



CULTIPRESS - SPRUNG LEVELLING BOARDS		DRAWN 20/4/97	PART NUMBER	FROM SERIAL NO.	TO SERIAL NO.	ISSUE	DRAWING NO.
		UPDATED		8125		1	AS0369



GREASE BEARING UNTIL  
FRESH GREASE APPEARS  
OUT OF SEALS

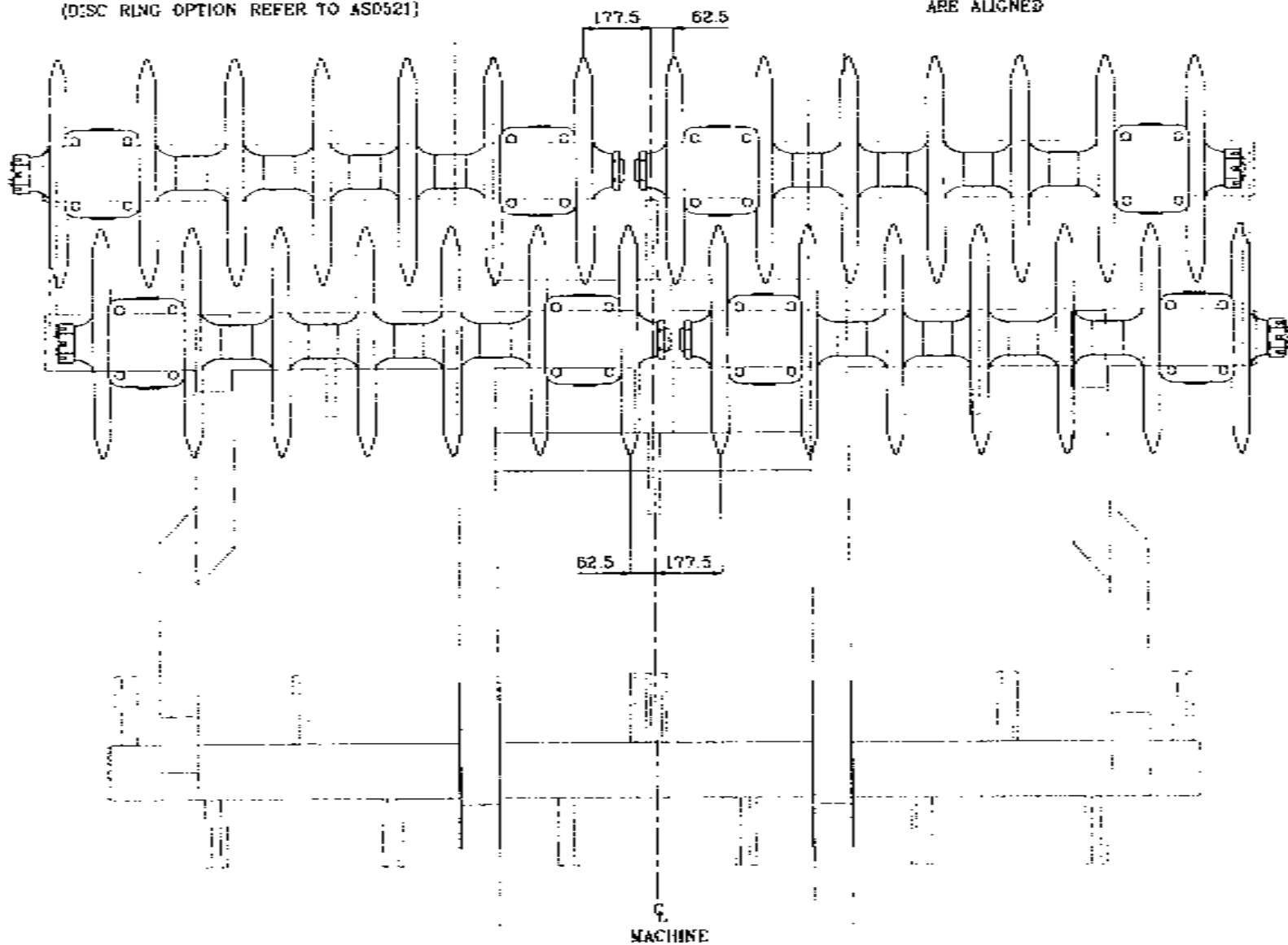


CULTIPRESS - TRIPLE BELLEVILLE PACK CENTRE PILLAR LAYOUT

DRAWN	PART NUMBER	FROM SERIAL NO	TO SERIAL NO	ISSUE	DRAWING NO.
EC/4/97		8125		1	AS0368
UPDATED					

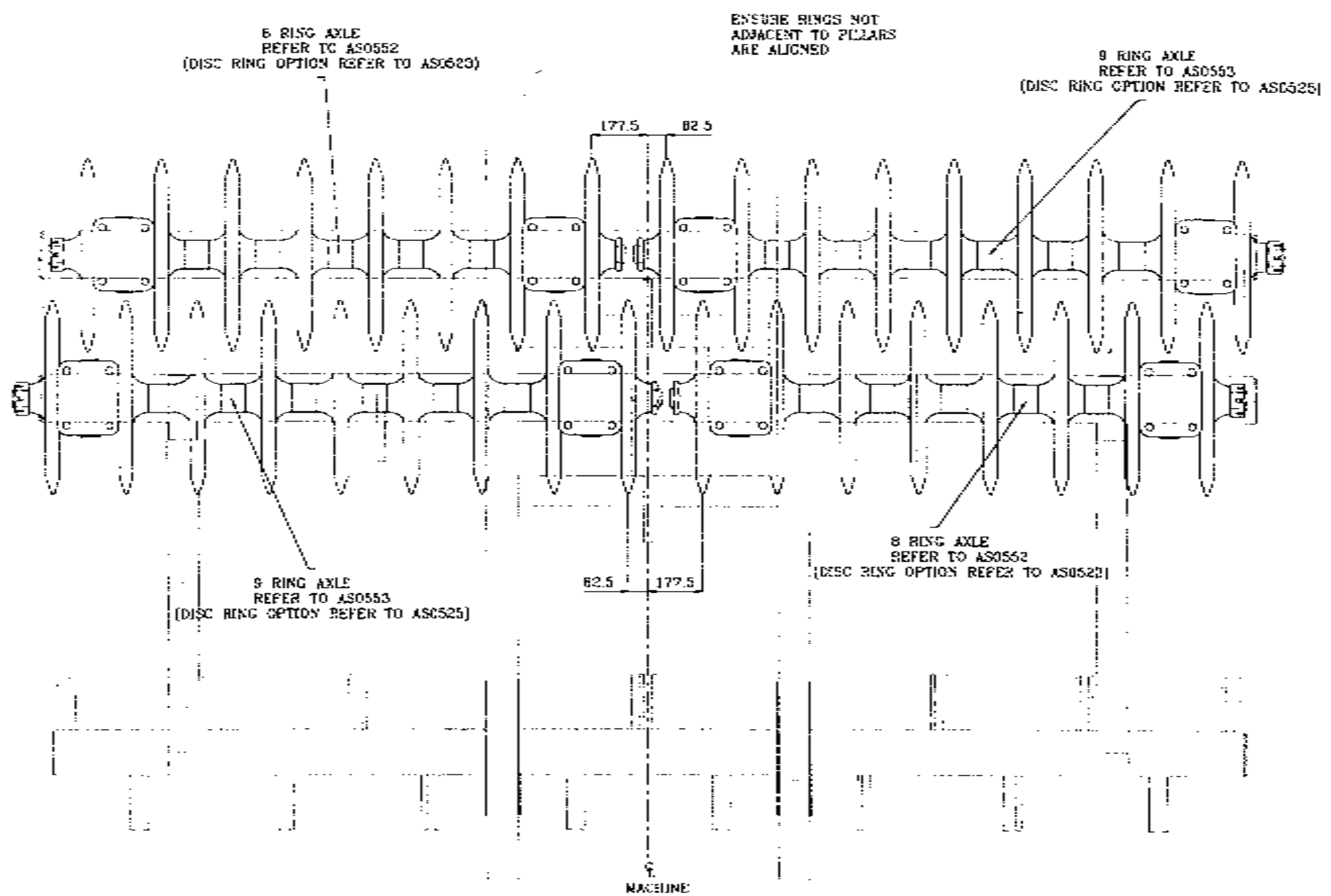
ALL AXLES 7 RINGS  
 REFER TO AS054G  
 (DISC RING OPTION REFER TO AS0521)

ENSURE RINGS NOT  
 ADJACENT TO PILLARS  
 ARE ALIGNED



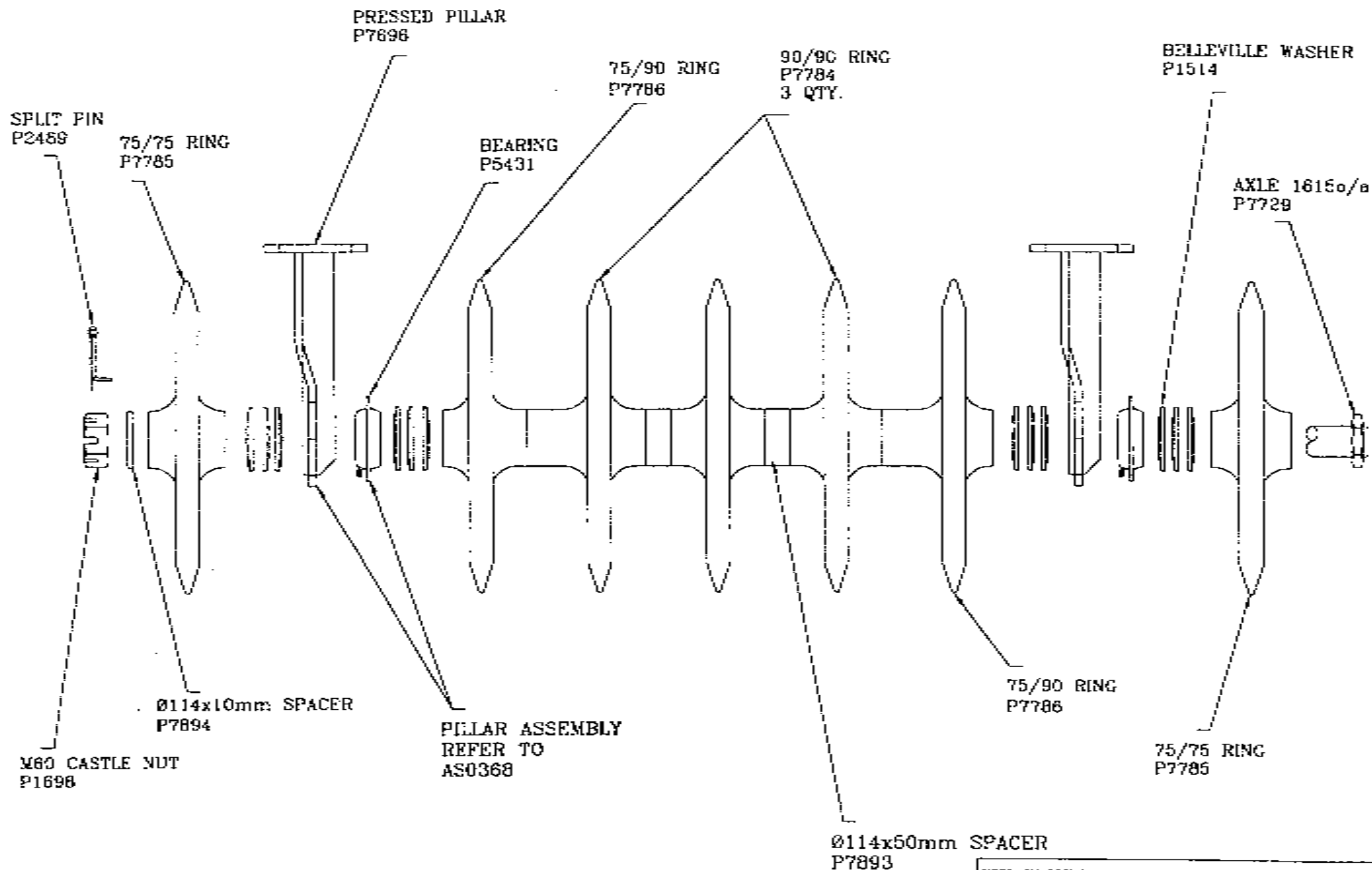
3.3m WOB CULTIPRESS - 230mm SPACING GANG POSITION

DRAWN	PART NUMBER	FROM SERIAL NO	TO SERIAL NO	ISSUE	DRAWING NO.
20/4/87		8125		3	AS0356
UPDATED					
03/08/89					



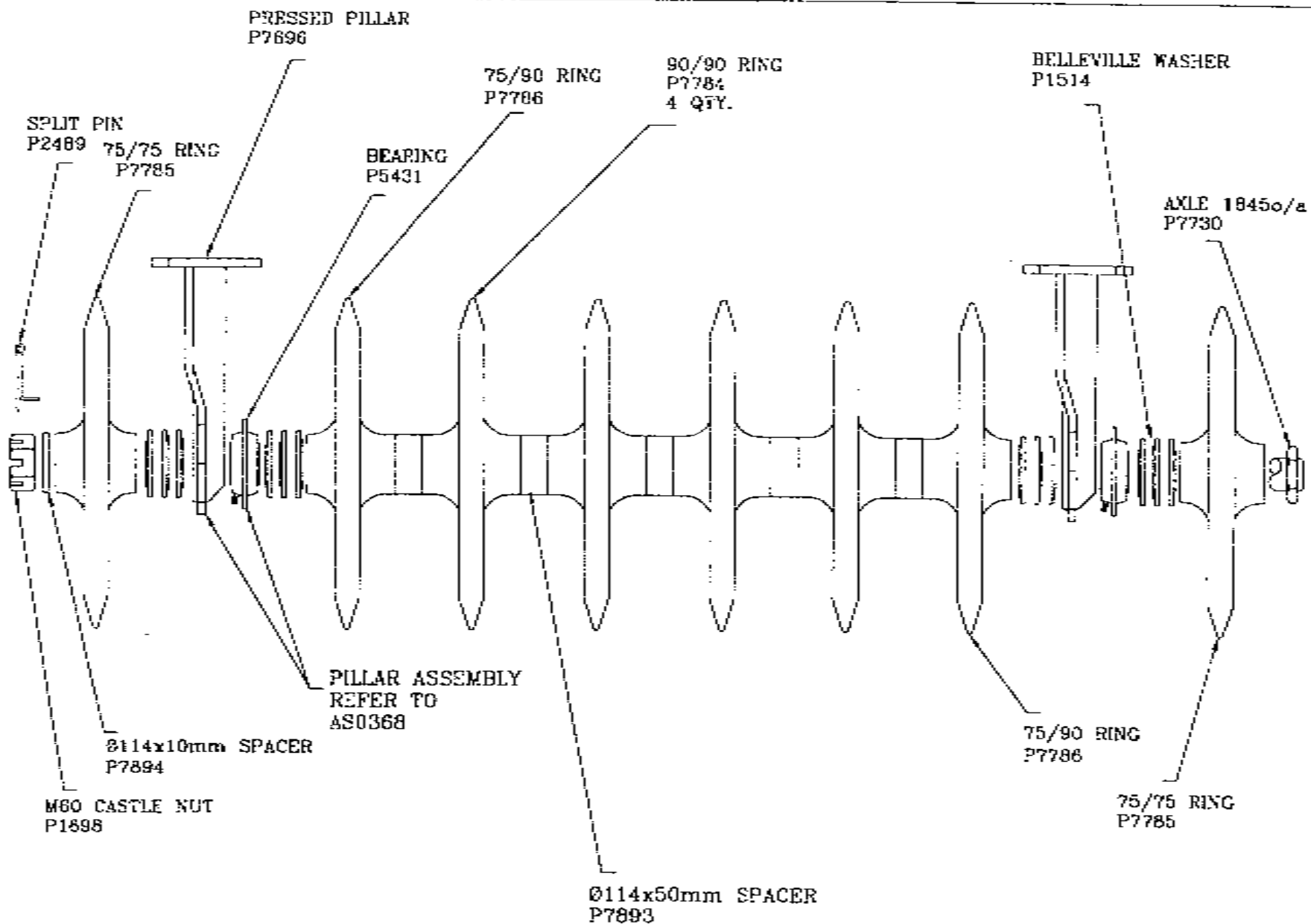
4.0m WOB CULTIPRESS - GANG POSITIONS

DESIGN 20/4/07	PART NUMBER	FROM SERIAL NO.	TO SERIAL NO.	ISSUE	DRAWING NO.
UPDATED 03/08/98		8125		3	AS0427



USED ON SERIAL NO.  
8245,8246,8265,8267

CULTIPRESS - 7 RING AXLE LAYOUT (1615 o/a)	DRAWN 20/4/87	PART NUMBER	FROM SERIAL NO.	TO SERIAL NO.	ISSUE	DRAWING NO.
	UPDATED					



CULTIPRESS - B RING AXLE LAYOUT (1845 o/a)

DRAWN  
 20/4/97  
 UPDATED

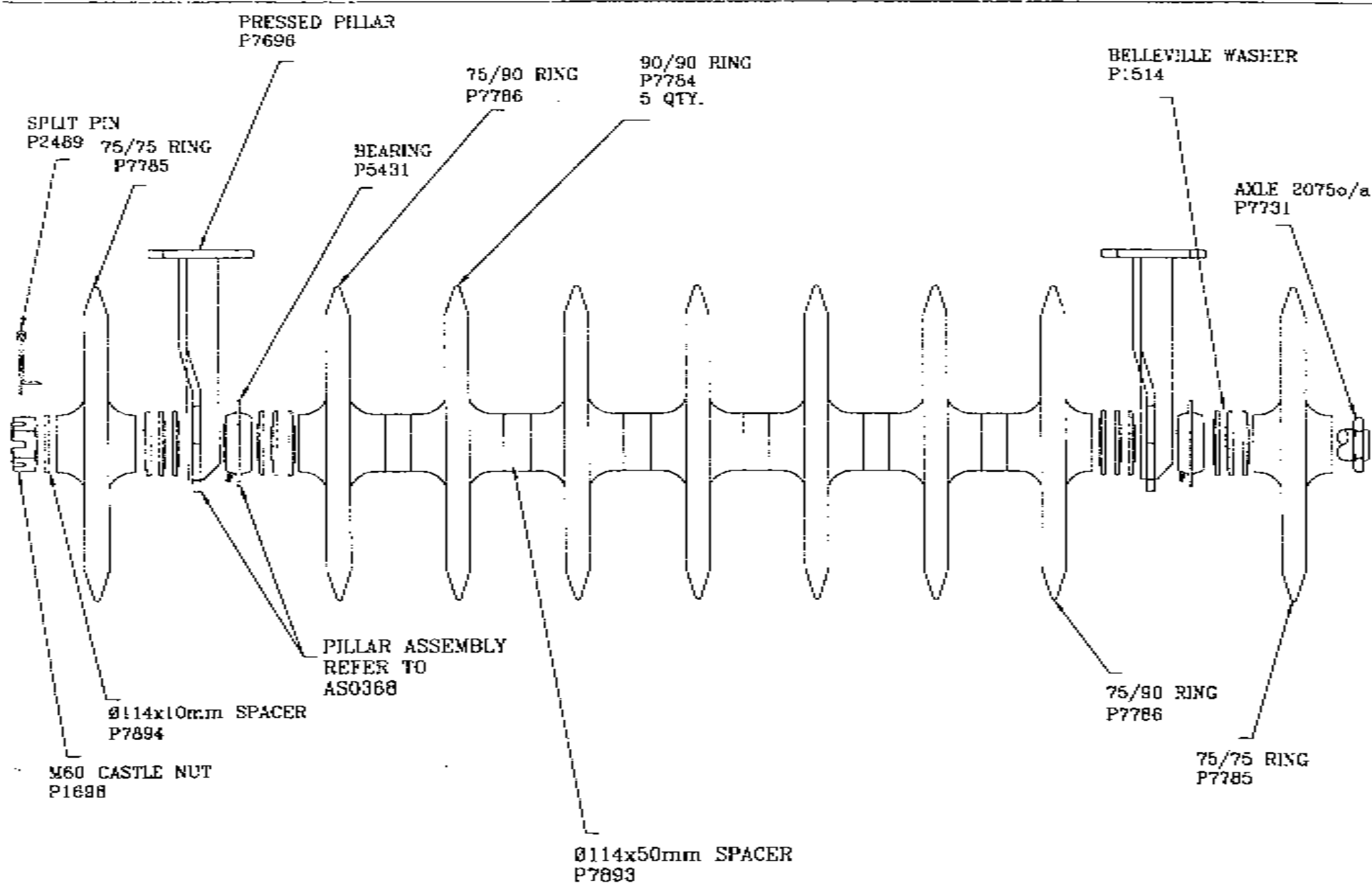
PART NUMBER

FROM SERIAL NO.  
 8125

TO SERIAL NO.

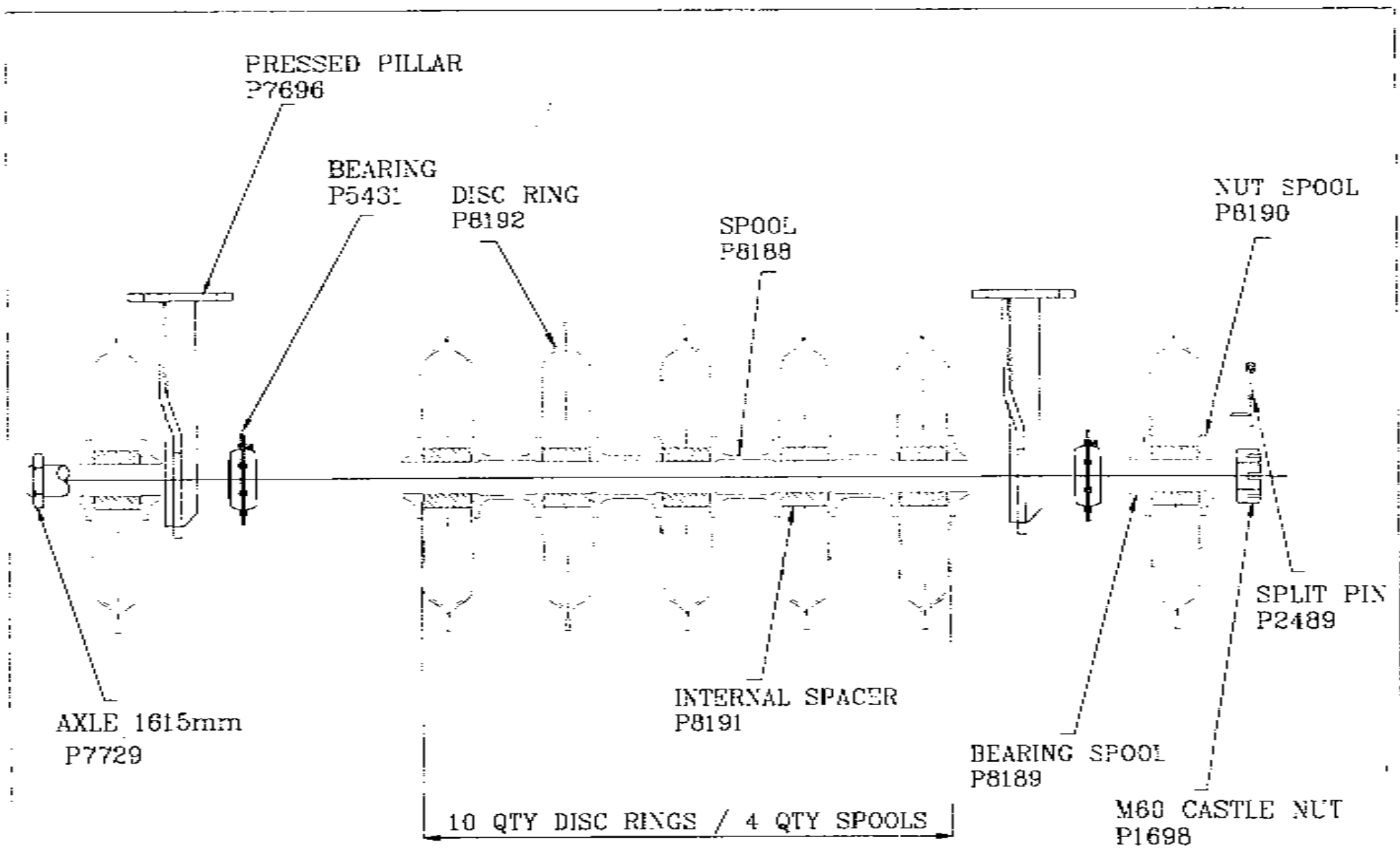
ISSUE  
 1

DRAWING NO.  
 AS0552

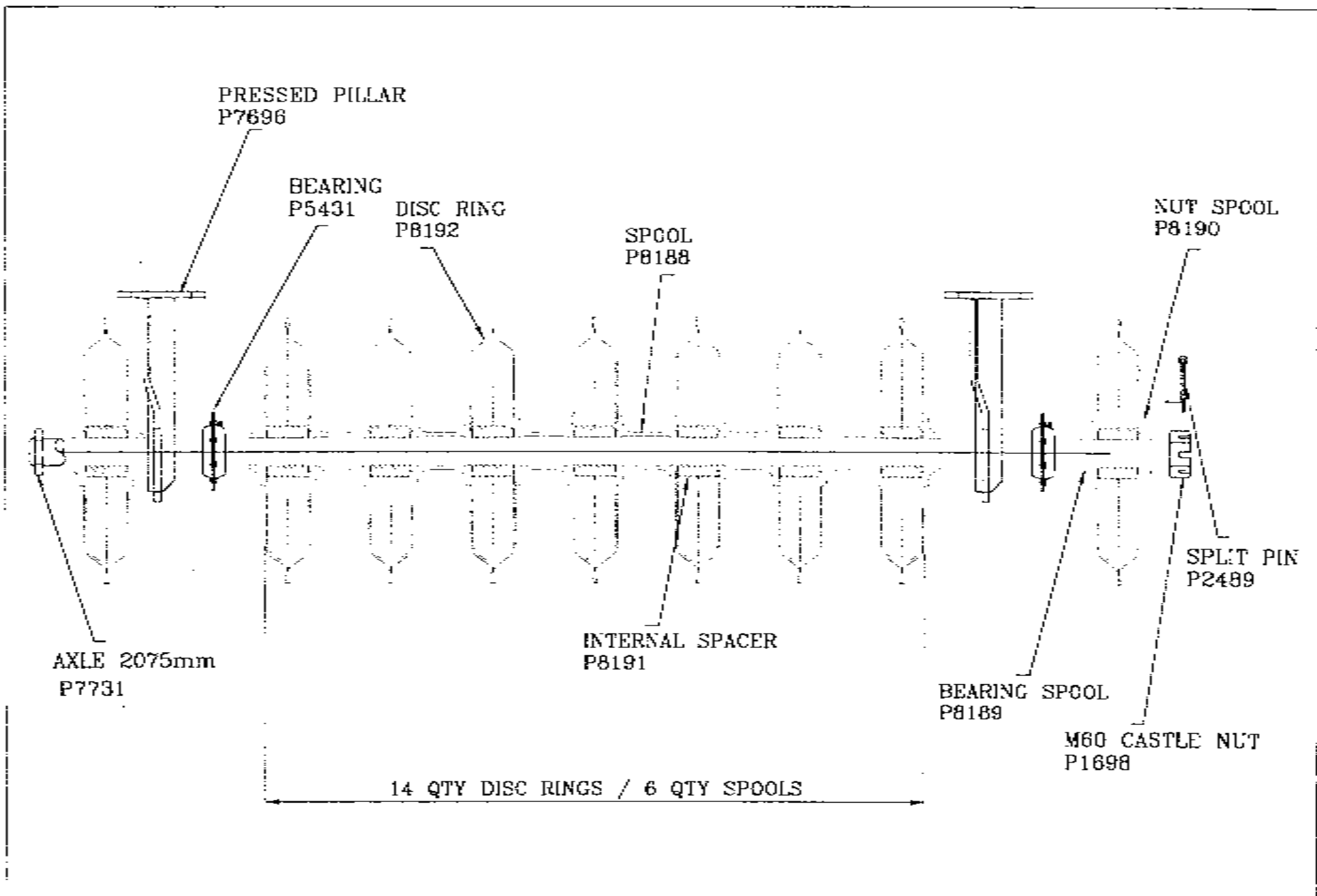


CULTIPRESS - 9 RING AXLE LAYOUT (2075 o/a)

DRAWN 20/4/97 UPDATED	PART NUMBER	FROM SERIAL NO.	TO SERIAL NO.	ISSUE	DRAWING NO.
		8125		1	AS0553



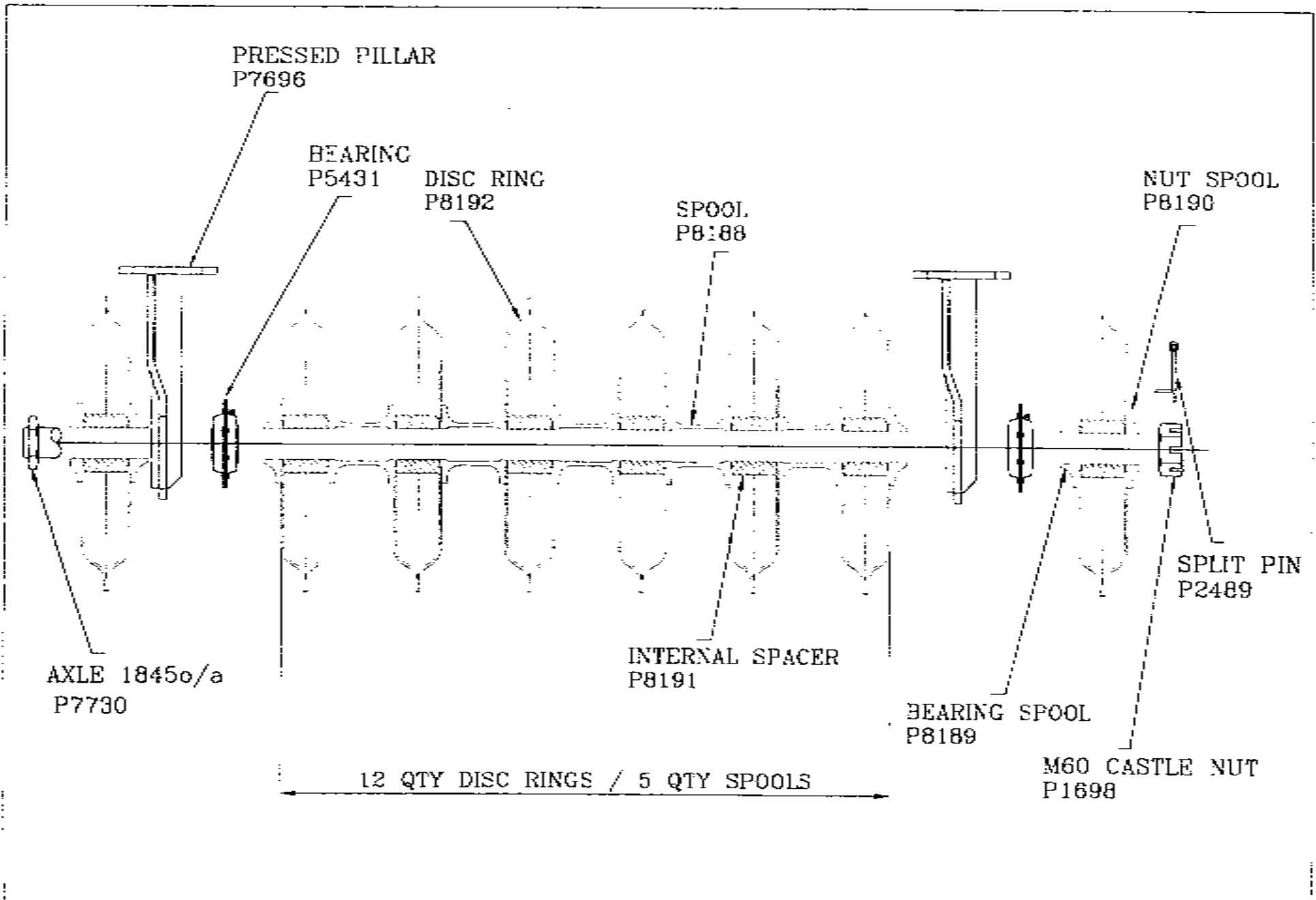
DRAWN	PAGE NUMBER	FROM SERIAL NO TO SERIAL NO	ISSUE	DRAWING NO.
08/09/98 UPDATED			1	AS0521



PRESS - 9 DISC RING AXLE LAYOUT (INBOARD PILLAR)

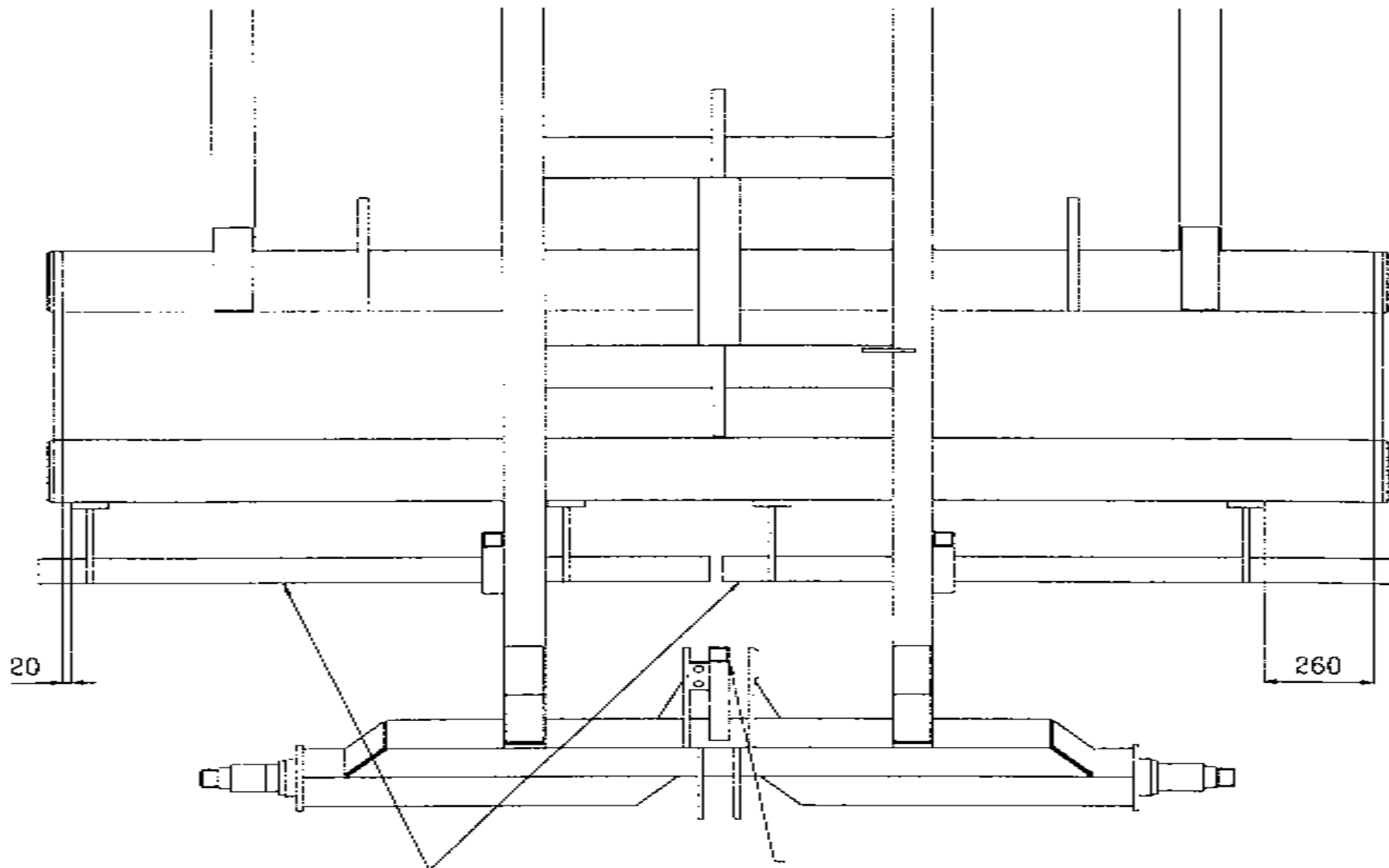
DRAWN	PART NUMBER	FROM SERIAL NO. TO SERIAL NO.	ISSUE	DRAWING NO.
26/05/98			1	AS0525
UPDATED				





PRESS - 8 DISC RING AXLE LAYOUT (INBOARD PILLAR)

DRAWN C6/08/85 CP817F8	PART NUMBER	FROM SERIAL NO.	TO SERIAL NO.	ISSUE	DRAWING NO.
				1	150600



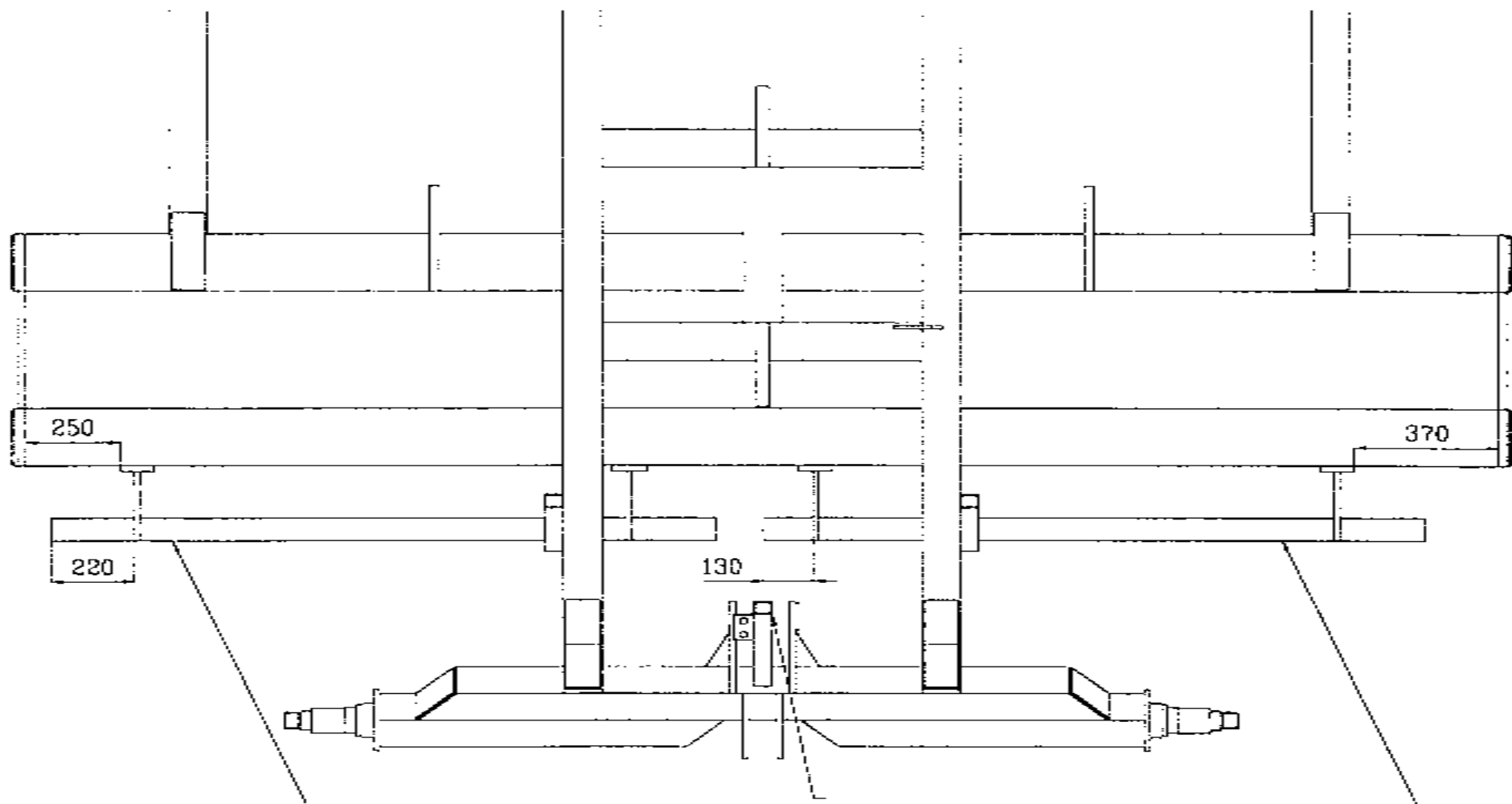
SCRAPER RAIL  
 1620mm O/A  
 P7732

PLASTIC END CAP

FIT 60x60 PLASTIC  
 END CAPS IN EACH  
 END OF RAILS

CULTIPRESS 3.3m W.O.B. - SCRAPER RAIL LOCATION

DRAWN 20/3/97 UPDATED	PART NUMBER	FROM SERIAL NO. 8125	TO SERIAL NO.	ISSUE 1	DRAWING NO. AS0382
-----------------------------	-------------	-------------------------	---------------	------------	-----------------------



SCRAPER RAIL  
1740mm O/A  
P8089

PLASTIC END CAP

FIT 60x60 PLASTIC  
END CAPS IN EACH  
END OF RAILS

SCRAPER RAIL  
1740mm O/A  
P8088

CULTIPRESS 4.0m W.O.B. - SCRAPER RAIL LOCATION

DRAWN  
20/3/87  
UPDATED

PART NUMBER

FROM SERIAL NO

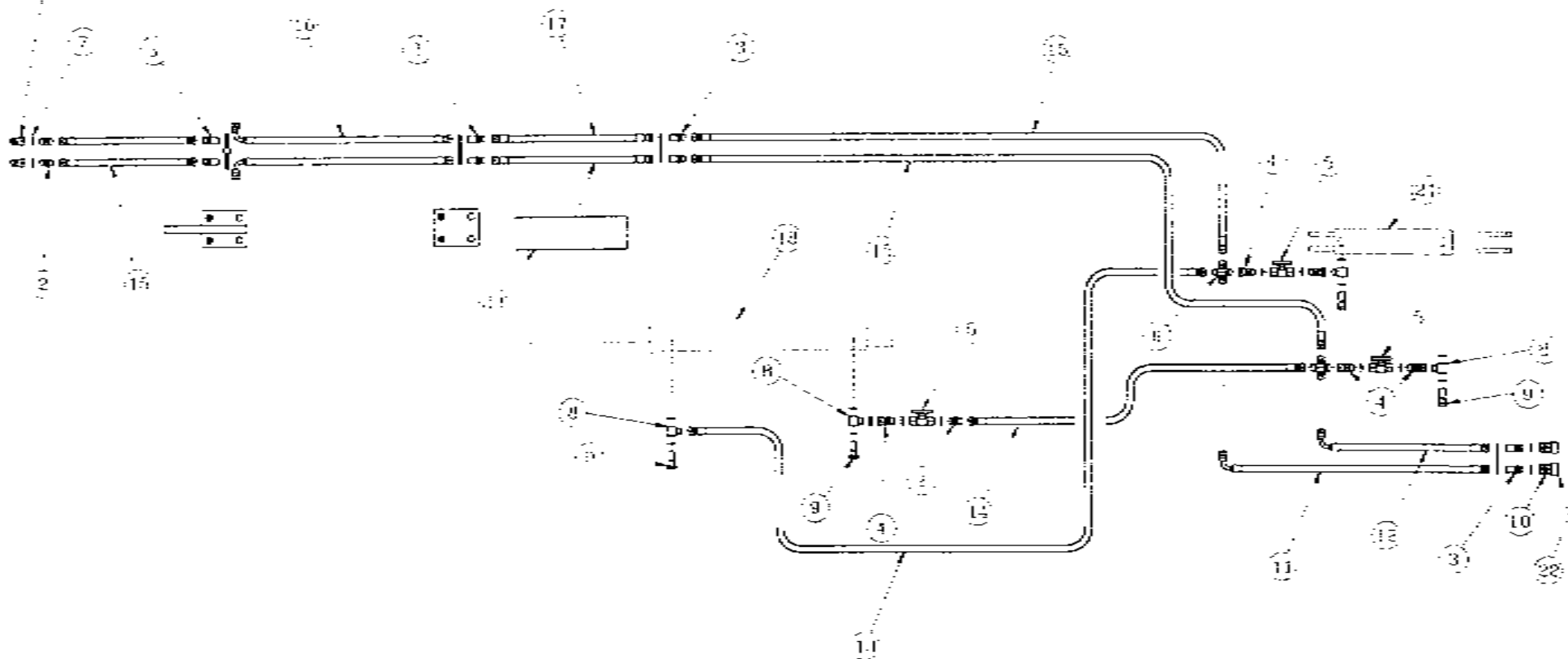
TO SERIAL NO.

ISSUE DRAWING NO.

8125

1

AS0428

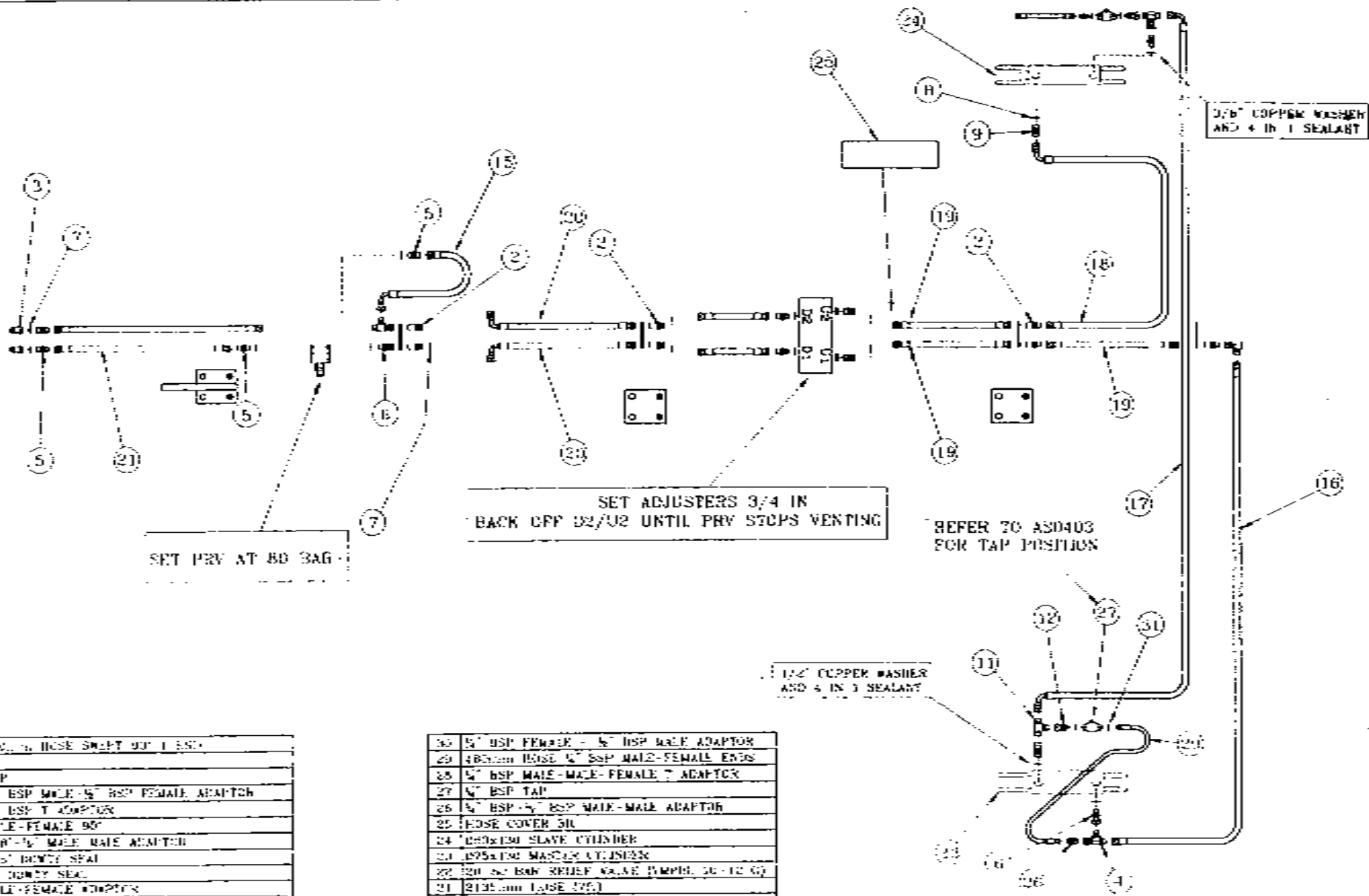


15	0015	3175mm HOSE 41U	2		
15	0017	1U HOSE	1		
17	0025	1450mm HOSE	1		
22	0075	540mm HOSE 90° SWEEP 1 END	1		
22	0045	520mm HOSE 90° SWEEP 1 END	1		
11	0020	FEMALE QUICK W/ FACE	2		
1	0001	HAND BOLT	1		
5	0003	BRASS BEGG	4	21	FUSE COVER 41
5	0002	5" BENTY SEAL	17	22	P2541 PLASTIC FILL
4	0004	4 WAY ADAPTOR	1	21	P1020 P250050 CYLINDER
5	0004	PAI	1	20	
1	0006	MALE FEMALE MALES	1	19	
1	0005	DE-EP-AP	6	18	P2500 25000005 INER
2	0001	MALE MALE ADAPTOR	2	17	P0175 1225mm HOSE 41U
1	0005	MALE QUICK RELEASE	2	15	P0715 1700mm HOSE 90° SWEEP 1 END
ITEM LIST TOTALS			93	ITEM NO	DESCRIPTION

CULTPRESS W.O.B.

UFT HYDRAULIC CIRCUIT

DRAWN	PAGE NUMBER	FROM SERIAL NO	TO SERIAL NO.	ISSUE	DRAWING NO.
CH. B. 371	1				
UPDATED	P7891	8126		2	AS0379



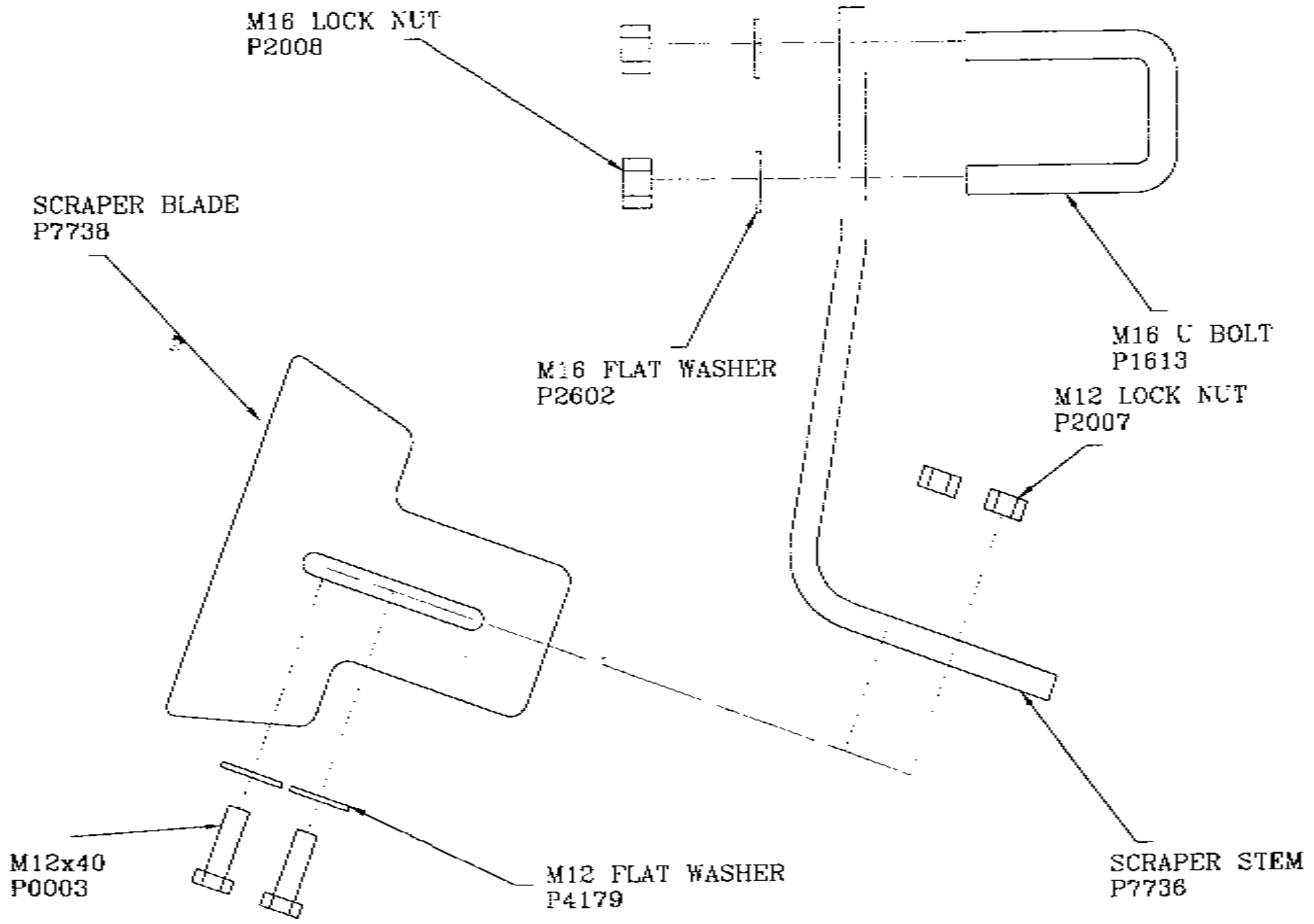
15	1500mm HOSE SWEEP 90° T END
14	TAP
13	TAP
12	1/4" BSP MALE - 1/4" BSP FEMALE ADAPTOR
11	1/4" BSP T ADAPTOR
10	MALE-FEMALE 90°
9	3/8" BSP MALE-MALE ADAPTOR
8	1/2" BUSHY SEAL
7	1/2" BUSHY SEAL
6	MALE-FEMALE ADAPTOR
5	MALE-MALE ADAPTOR
4	MALE-FEMALE MALE T ADAPTOR
3	MALE QUICK JOINTS
2	BULKHEAD
1	
ITEM DESCRIPTION	

30	1/4" BSP FEMALE - 1/4" BSP MALE ADAPTOR
29	1800mm HOSE 1/4" BSP MALE-FEMALE ENDS
28	1/4" BSP MALE-MALE-FEMALE T ADAPTOR
27	1/4" BSP TAP
26	1/4" BSP - 1/4" BSP MALE-MALE ADAPTOR
25	EDGE COVER 3/16
24	100x150mm SLAVE CYLINDER
23	195x150mm MASTER CYLINDER
22	120 x 60 mm RELIEF VALVE (JUMPER 20-10-02)
21	2100mm HOSE 3/8"
20	1700mm HOSE 3/8" SWEEP T END
19	1200mm HOSE 1/2"
18	2000mm HOSE 1/2" SWEEP T END
17	2500mm HOSE 3/8" SWEEP BOTH ENDS AT 90°
16	1500mm HOSE
ITEM DESCRIPTION	

31	1/2" BUSHY SEAL
30	1/4" BSP MALE-MALE
29	1800mm HOSE 1/4" BSP MALE-FEMALE ENDS
28	1/4" BSP MALE-MALE-FEMALE T ADAPTOR
27	1/4" BSP TAP
26	1/4" BSP - 1/4" BSP MALE-MALE ADAPTOR
25	EDGE COVER 3/16
24	100x150mm SLAVE CYLINDER
23	195x150mm MASTER CYLINDER
22	120 x 60 mm RELIEF VALVE (JUMPER 20-10-02)
21	2100mm HOSE 3/8"
20	1700mm HOSE 3/8" SWEEP T END
19	1200mm HOSE 1/2"
18	2000mm HOSE 1/2" SWEEP T END
17	2500mm HOSE 3/8" SWEEP BOTH ENDS AT 90°
16	1500mm HOSE
ITEM DESCRIPTION	

CULTIPRESS W O R - NO FLOAT LEVELLING BOARD

DRAWN 19-02-97	PART NUMBER P7892	FROM SERIAL NO. 8125	TO SERIAL NO.	ISSUE B	DRAWING NO. AS0380
UPDATED 03-08					



CULTIPRESS - SCRAPER ASSEMBLY

DATE	PART NUMBER	FROM SERIAL NO.	TO SERIAL NO.	ISSUE	DRAWING NO.
20/4/97		8125		2	AS0352
30/10/97					