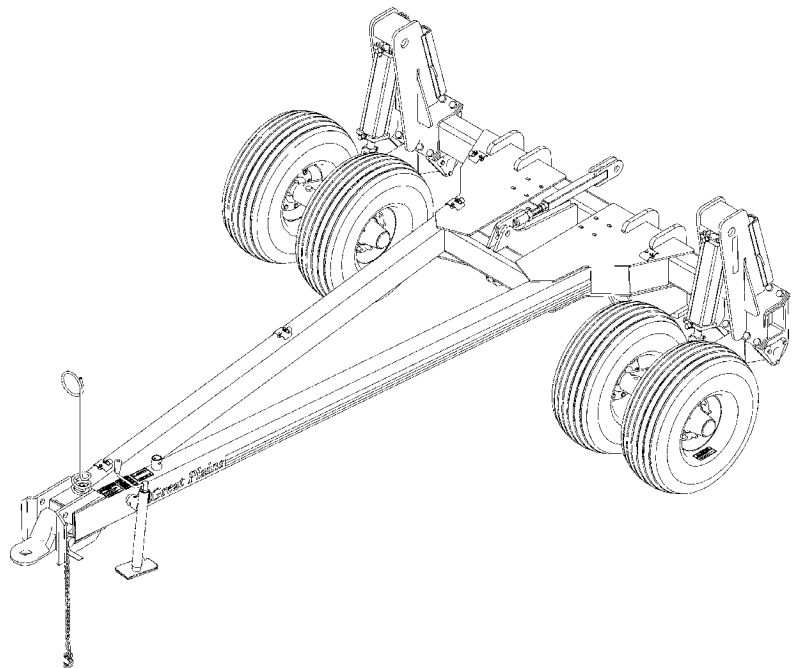

Parts Manual

Implement Hitch SSH



Read the Operator's manual entirely. When you see this symbol, the subsequent instructions and warnings are serious - follow without exception. Your life and the lives of others depend on it!



21595

Cover illustration may show optional equipment not supplied with standard unit.



Table of Contents

Section 1: Introduction.....	4
Using This Manual.....	4
Manual Replacement Information.....	4
Manual Revisions.....	4
Touch-up Paint.....	4
Hardware Legend.....	5
Replacement Hardware.....	5
Serial Numbers.....	5
Part Number Service Coding.....	5
Section 2: Frames.....	6
Tongue Assembly (S/N 1420ZZ+).....	6
Tongue Assembly (S/N 1419ZZ-).....	8
Hitch Frame Assembly.....	10
Section 3: Transport.....	12
Transport (S/N 1420ZZ+).....	12
Transport (S/N 1419ZZ-).....	14
Spindle And Tire.....	16
Section 4: Hydraulics.....	18
Hydraulics.....	18
Hydraulic Cylinder (810-496C 5x16x1.5 Rod).....	20
Hydraulic Cylinder (810-497C 4.75x16x1.5 Rod).....	22
Section 5: Decals.....	24
Decals.....	24
Section 6: Optional.....	26
Fertilizer Tank & Mount.....	26
Part Number Index.....	28

© Copyright 2018 All rights reserved Printed 06/05/18

Great Plains Manufacturing, Inc. provides this publication “as is” without warranty of any kind, either expressed or implied. While every precaution has been taken in the preparation of this manual, Great Plains Manufacturing, Inc. assumes no responsibility for errors or omissions. Neither is any liability assumed for damages resulting from the use of the information contained herein. Great Plains Manufacturing, Inc. reserves the right to revise and improve its products as it sees fit. This publication describes the state of this product at the time of its publication, and may not reflect the product in the future.

Great Plains Manufacturing, Incorporated Trademarks

The following are trademarks of Great Plains Mfg., Inc.: Application Systems, Ausherman, Land Pride, Great Plains

All other brands and product names are trademarks or registered trademarks of their respective holders.

Printed in the United States of America.



Alphabetized Table of Contents

Selected Models

D	
Decals.....	24
F	
Fertilizer Tank & Mount.....	26
H	
Hitch Frame Assembly.....	10
Hydraulic Cylinder (810-496C 5x16x1.5 Rod).....	20
Hydraulic Cylinder (810-497C 4.75x16x1.5 Rod).....	22
Hydraulics.....	18
S	
Spindle And Tire.....	16
T	
Tongue Assembly (S/N 1419ZZ-).....	8
Tongue Assembly (S/N 1420ZZ+).....	6
Transport (S/N 1419ZZ-).....	14
Transport (S/N 1420ZZ+).....	12



General Information

Using This Manual

This manual is divided into sections. The first section contains General Information, a Table of Contents, an Alphabetical Page Index, and a Part Number Index. The remaining sections divide the machine into segments (i.e. Frames, Drives, Hydraulics, etc.) which illustrate and list all parts.

The Great Plains parts in this manual are specially designed for this machine and should be replaced with Great Plains parts only.

The information in this manual is current at printing. Some parts may change to assure top performance.

Right-hand and left-hand as used in this manual are determined by facing the direction the machine will travel while in use.

Below is an example of two facing pages from a parts manual. Familiarize yourself with the contents of these pages.

Manual Replacement Information

Replacement manuals are available. Refer to your dealer or the Great Plains Publications Catalog for additional information.

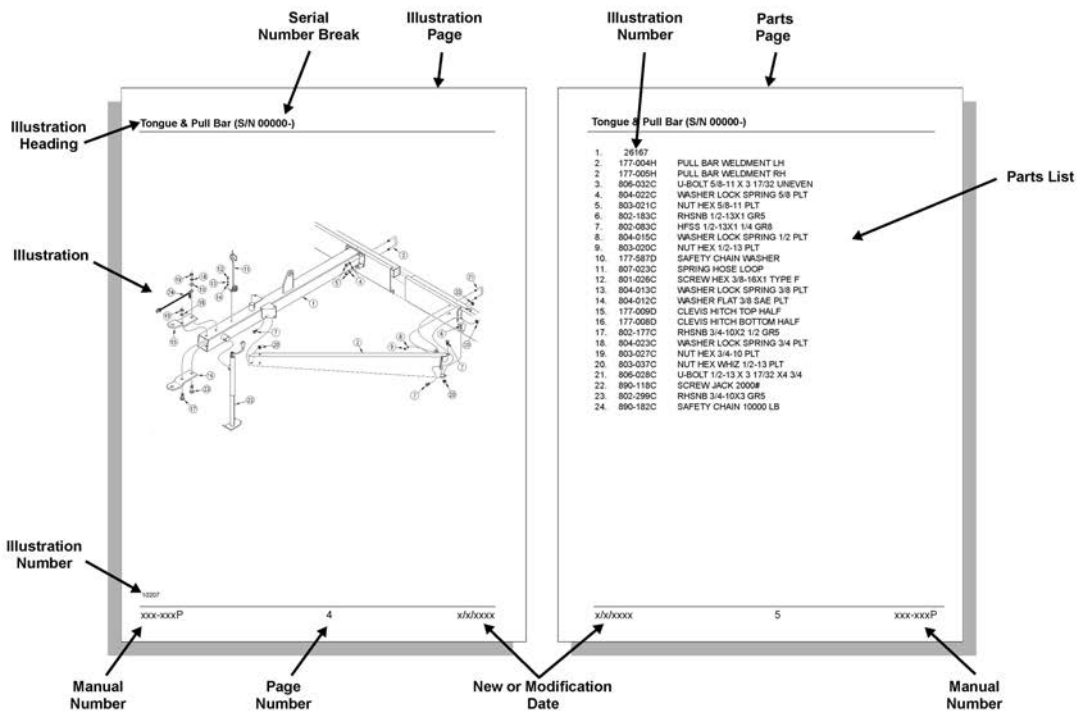
Manual Revisions

When this manual is revised, the modification date is printed on the front cover and on the revised page(s).

Touch-up Paint

Repaint parts where paint is worn or scratched to prevent rust. Aerosol touch-up paint is available. To order use Great Plains parts numbers below:

GP Green	821-001C
GP Black	821-002C
GP Beige	821-003C
GP Buckskin	821-004C



Hardware Legend

AR	As Required
BLADE	Blade Bolt
C	Cap Screw
CP	Cotter Pin
CPHSSS	Cup Point Hex Socket Set Screw
CPSHSS	Cup Point Square Head Set Screw
CPSQHSS	Cup Point Square Head Set Screw
CRFCHMS	Cross Recess Flat Countersunk Head Mach. Screw
CRPHMS	Cross Recess Pan Head Machine Screw
CRPHTFS	Cross Recess Pan Head Thread Forming
CRRHMS	Cross Recess Round Head Machine Screw
CRTHMS	Cross Recess Truss Head Machine Screw
CSNB	Countersunk Square Neck Bolt
FHMS	Flat Head Machine Screw
FTC	Full Thread Cap Screw
H	Hex Nut
HCLN	Hex Center Lock Nut
HFLCS	Hex Flange Lock Cap Screw
HFS	Hex Flange Screw
HFSLN	Hex Flange Serrated Lock Nut
HFSS	Hex Flange Serrated Screw
HHCS	Hex Head Cap Screw or Metric Bolt
HSBHCS	Hex Socket Button Head Cap Screw
HSFCHCS	Hex Socket Flat Countersunk Head Cap Screw
HSHCS	Hex Socket Head Cap Screw
HSSS	Hex Socket Head Screw
HTLN	Hex Top Lock Nut
HWHCS	Hex Washer Head Cap Screw

HWHMS	Hex Washer Head Machine Screw
HXBHCS	Hex Socket Button Head Cap Screw
J	Hex Jam Nut
JIC	37 Degree Tapered Thread
L	Helical Spring Lock Washer
LUG	Lug Bolt
NFC	National Fine Cap Screw
NPSM	National Pipe Straight Mechanical
NPTF	National Pipe Taper Fuel
P	Wide Plain Washer
PHMS	Pan Head Machine Screw
PLOW	Plow Bolt
RHMS	Round Head Machine Screw
RHSNB	Round Head Square Neck Bolt
SCREW LEVELING	Leveling Screw
SCREW THUMB	Thumb Screw
SCREW WELD	Weld Screw
SFCHMS	Slotted Flat Countersunk Head Machine Screw
SFHMS	Slotted Fillister Head Machine Screw
SP	Special
SP SCREW	Special Screw
SQHSS	Square Head Set Screw
SRHMS	Slotted Round Head Machine Screw
SSS	Socket Set Screw
STCS	Self Tapping Cap Screw
STHMS	Slotted Truss Head Machine Screw
WHEEL	Wheel Studs and Hub Long Bolts
WING	Wing Bolt

Replacement Hardware

The **Hardware Legend** above lists hardware abbreviations used in the parts lists. All bolts and nuts are grade 5 unless otherwise noted. The use of improper grades of hardware can result in personal injury, damage to equipment, or loss of property.

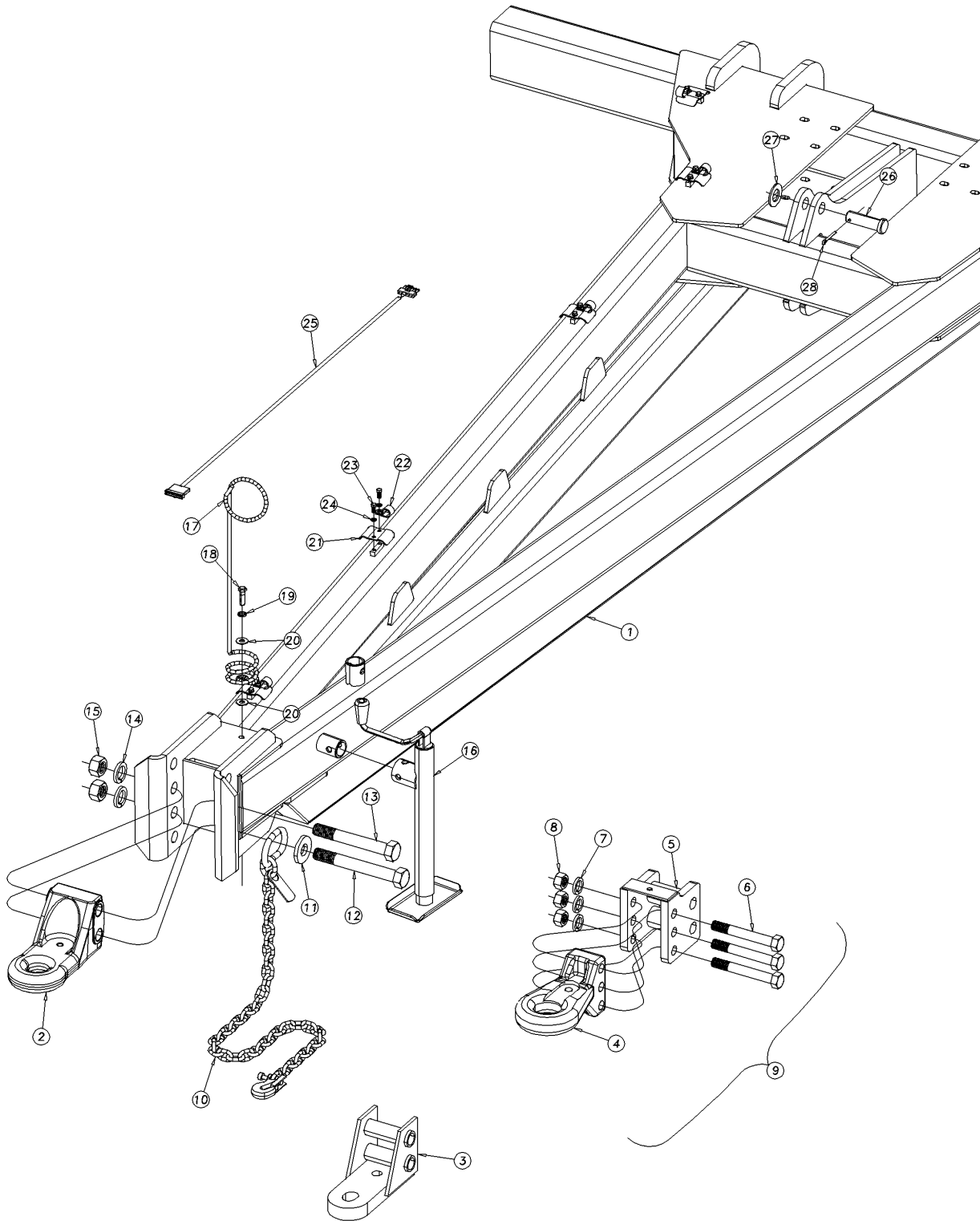
Serial Numbers

Always use the serial and model number when ordering parts. Refer to the operator's manual for serial number plate location.

- (S/N 20001+ or S/N 20001 and above) Includes serial numbers 20001 and above (to the latest number)
- (S/N 10001+→20000) Includes serial numbers between 10000 and 20001
- (S/N 10000- or S/N 10000 and below) Includes serial numbers 10000 and below (to the earliest number)

Tongue Assembly (S/N 1420ZZ+)

(Applies to SSH No-Till Hitch only)



43712

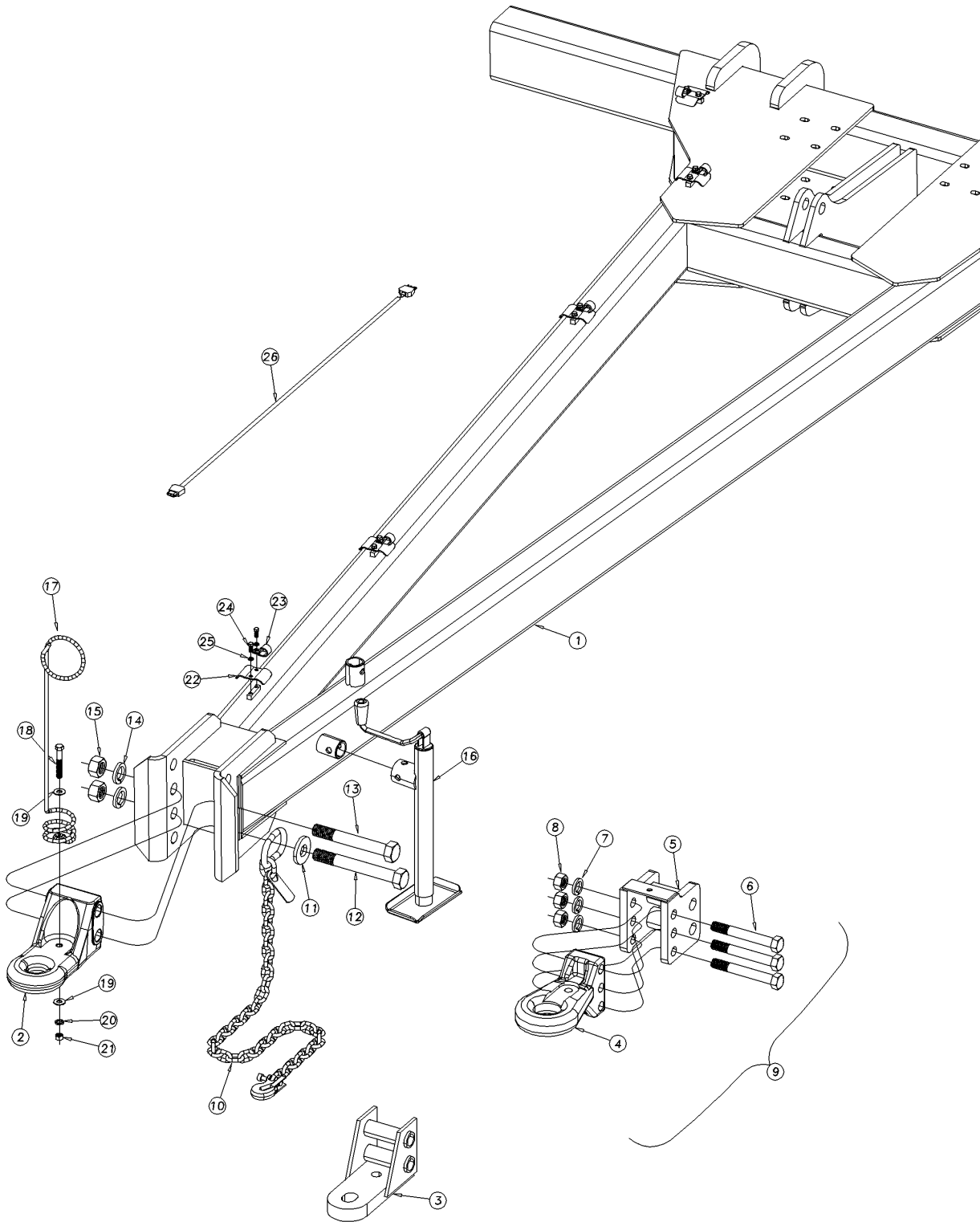
Tongue Assembly (S/N 1420ZZ+)

(Applies to SSH No-Till Hitch only)

Ref	Part No.	Part Description	Comments	Revision
	dwg43712	Image No.		
1.	599-007H	HITCH MAIN FRAME WLMT		
2.	170-201D	CASTING LARGE HITCH STRAP		
3.	170-034H	SINGLE HITCH STRAP-SMALL		
4.	891-210C	CAT 5 PERFECT HITCH		
5.	170-071H	CAT 4 TO CAT 5 HITCH ADAPTER		
6.	802-144C	HHCS 1-8X7 1/2 GR5		
7.	804-027C	WASHER LOCK SPRING 1 PLT		
8.	803-031C	NUT HEX 1-8 PLT		
9.	599-072A	CAT V DRAWBAR OPTION SSH	Includes items 4-8	
10.	890-183C	SAFETY CHAIN 20000 LB		
11.	194-070D	SAFETY CHAIN WASHER		
12.	802-543C	HHCS 1 1/4-7X10 GR5 SPTH		
13.	802-544C	HHCS 1 1/4-7X9 GR5 SPTH		
14.	804-030C	WASHER LOCK 1 1/4 SPRING PLT		
15.	803-034C	NUT HEX 1 1/4-7 PLT		
16.	890-245C	SCREW JACK 2000# 15-30 TOP WND		
17.	807-073C	SPRING HOSE LOOP HEAVY		
18.	802-082C	HHCS 1/2-13X1 3/4 GR5		
19.	804-015C	WASHER LOCK SPRING 1/2 PLT		
20.	804-017C	WASHER FLAT 1/2 USS PLT		
21.	502-068D	HYD HOSE CLAMP BRACKET		
22.	800-064C	HOSE CLIP 13/16 ID		
23.	802-007C	HHCS 5/16-18X3/4 GR5		
24.	804-009C	WASHER LOCK SPRING 5/16 PLT		
25.	890-600C	AG LIGHT HARNESS, EXT-15'		
26.	805-196C	PIN CLVS 1.25X3.38 USBL GR5		
27.	804-039C	WASHER FLAT 1 1/4 SAE PLT		
28.	805-021C	PIN COTTER 1/4 X 2 PLT		

Tongue Assembly (S/N 1419ZZ-)

(Applies to SSH No-Till Hitch only)



42992

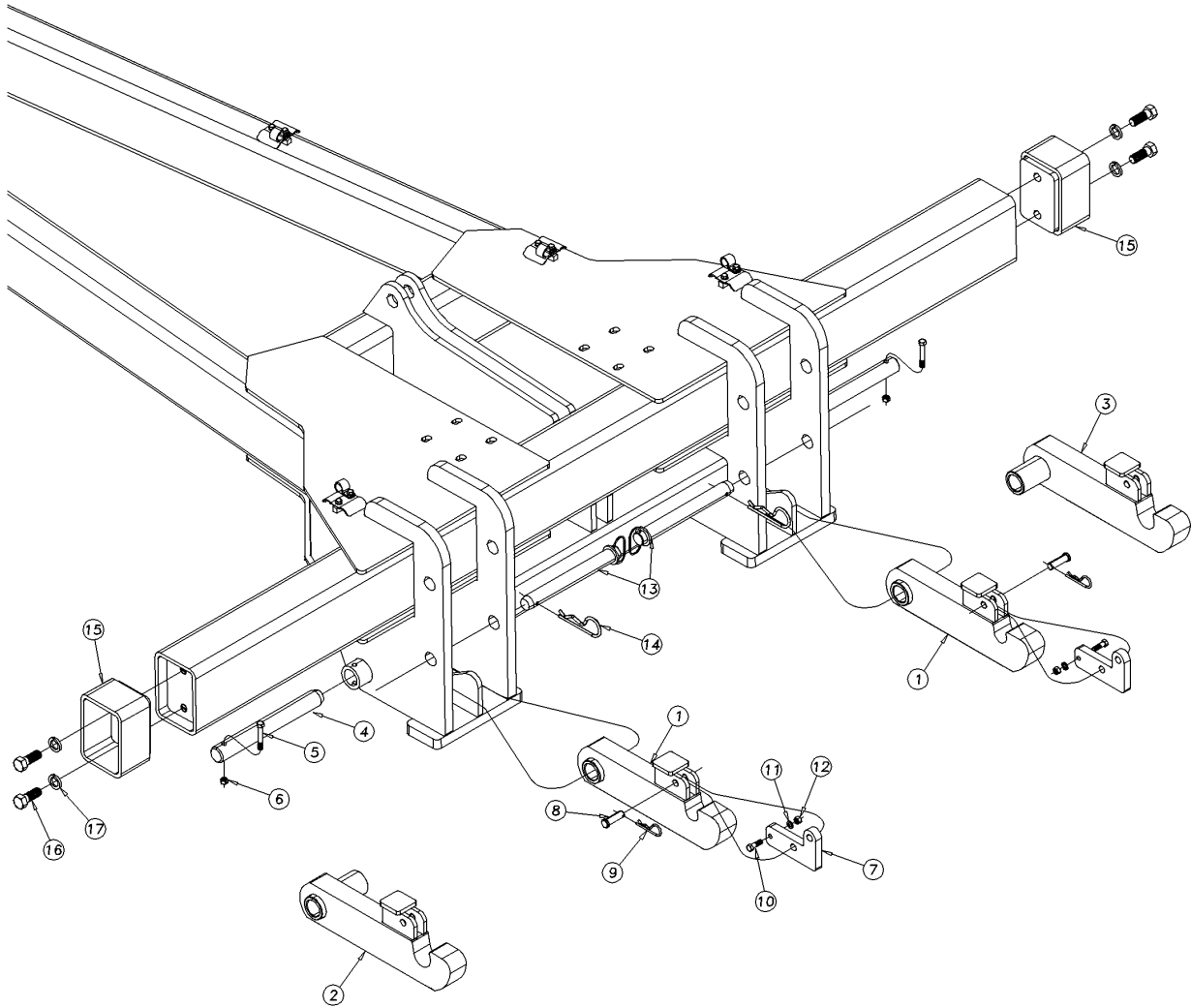
Tongue Assembly (S/N 1419ZZ-)

(Applies to SSH No-Till Hitch only)

Ref	Part No.	Part Description	Comments	Revision
	dwg42992	Image No.		
1.	599-007H	HITCH MAIN FRAME WLMT		
2.	170-201D	CASTING LARGE HITCH STRAP		
3.	170-034H	SINGLE HITCH STRAP-SMALL		
4.	891-210C	CAT 5 PERFECT HITCH		
5.	170-071H	CAT 4 TO CAT 5 HITCH ADAPTER		
6.	802-144C	HHCS 1-8X7 1/2 GR5		
7.	804-027C	WASHER LOCK SPRING 1 PLT		
8.	803-031C	NUT HEX 1-8 PLT		
9.	599-072A	CAT V DRAWBAR OPTION SSH		
10.	890-183C	SAFETY CHAIN 20000 LB		
11.	194-070D	SAFETY CHAIN WASHER		
12.	802-543C	HHCS 1 1/4-7X10 GR5 SPTH		
13.	802-544C	HHCS 1 1/4-7X9 GR5 SPTH		
14.	804-030C	WASHER LOCK 1 1/4 SPRING PLT		
15.	803-034C	NUT HEX 1 1/4-7 PLT		
16.	890-245C	SCREW JACK 2000# 15-30 TOP WND		
17.	807-073C	SPRING HOSE LOOP HEAVY		
18.	802-041C	HHCS 1/2-13X3 1/2 GR5		
18.	802-039C	HHCS 1/2-13X3 GR5		
19.	804-017C	WASHER FLAT 1/2 USS PLT		
20.	804-015C	WASHER LOCK SPRING 1/2 PLT		
21.	803-020C	NUT HEX 1/2-13 PLT		
22.	502-068D	HYD HOSE CLAMP BRACKET		
23.	800-064C	HOSE CLIP 13/16 ID		
24.	802-007C	HHCS 5/16-18X3/4 GR5		
25.	804-009C	WASHER LOCK SPRING 5/16 PLT		
26.	890-600C	AG LIGHT HARNESS, EXT-15'		

Hitch Frame Assembly

(Applies to SSH No-Till Hitch only)



42993

Hitch Frame Assembly

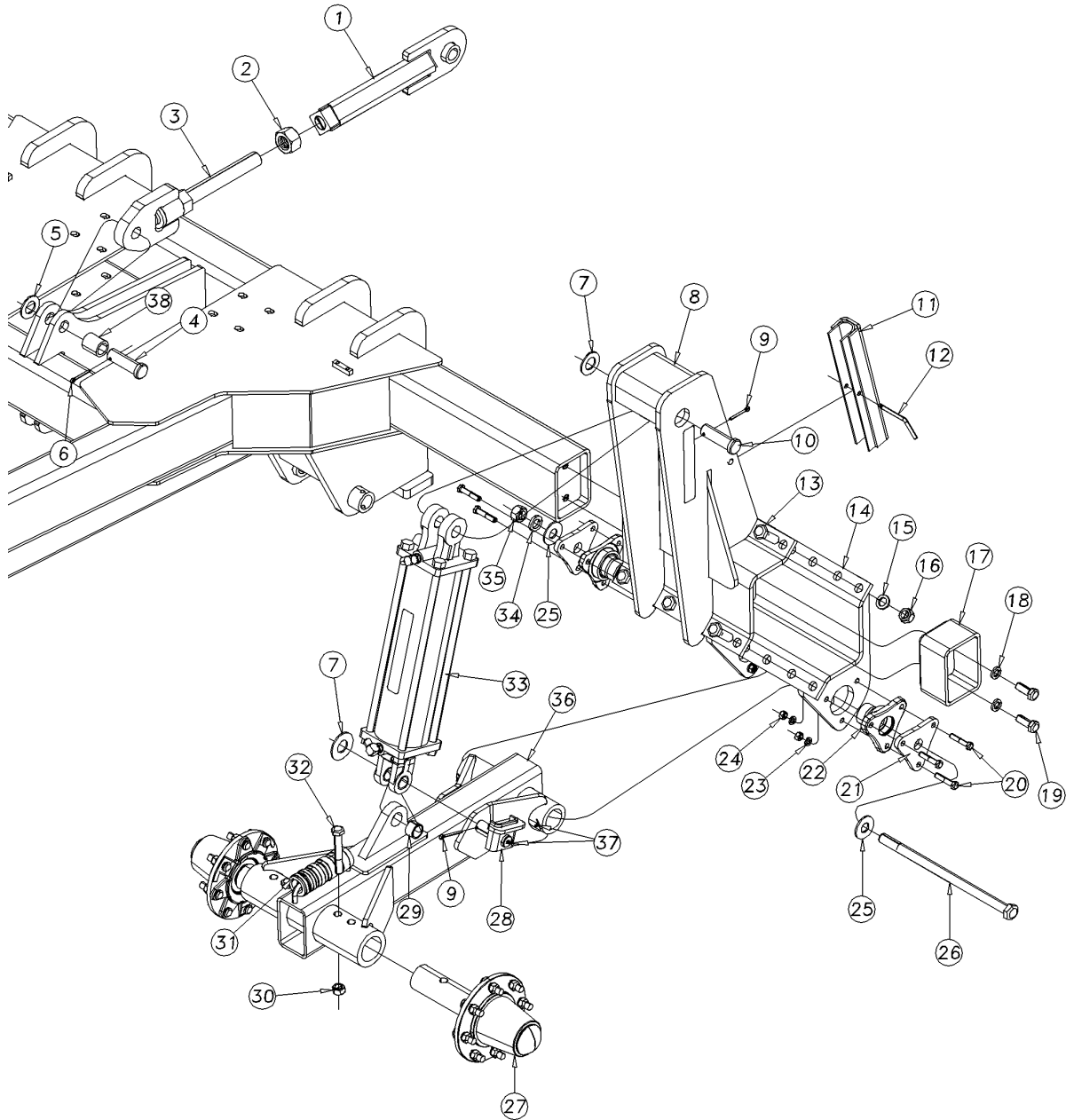
(Applies to SSH No-Till Hitch only)

Ref	Part No.	Part Description	Comments	Revision
	dwg42993	Image No.		
1.	599-006H	HITCH LOWER LINK ARM WLMT	Used on Cat III Hitch	
2.	599-067H	HITCH LOWER LINK ARM WLMT LH	Used on Cat IV Hitch	
3.	599-066H	HITCH LOWER LINK ARM WLMT RH	Used on Cat IV Hitch	
4.	599-029D	HITCH LOWER LINK PIVOT PIN		
5.	802-216C	HHCS 3/8-16X2 3/4 GR5		
6.	803-013C	NUT LOCK 3/8-16 PLT		
7.	599-035D	HITCH LOWER LINK LATCH		
8.	805-263C	PIN CLVS .63X2.0		
9.	805-032C	PIN HAIR COTTER .148 WIRE		
10.	802-079C	HHCS 3/8-16X1 1/4 GR5		
11.	804-013C	WASHER LOCK SPRING 3/8 PLT		
12.	803-014C	NUT HEX 3/8-16 PLT		
13.	805-313C	PIN HTCH 1.25X9.50 USBL		
14.	805-167C	PIN HAIR COTTER .243 WIRE PLT		
15.	599-061H	TOOL BAR EXTENSION WLMT		
16.	804-023C	WASHER LOCK SPRING 3/4 PLT		
17.	802-064C	HHCS 3/4-10X2 GR5		

[Table of Contents](#) [Part Number Index](#)

Transport (S/N 1420ZZ+)

(Applies to SSH No-Till Hitch only)



43717

Transport (S/N 1420ZZ+)

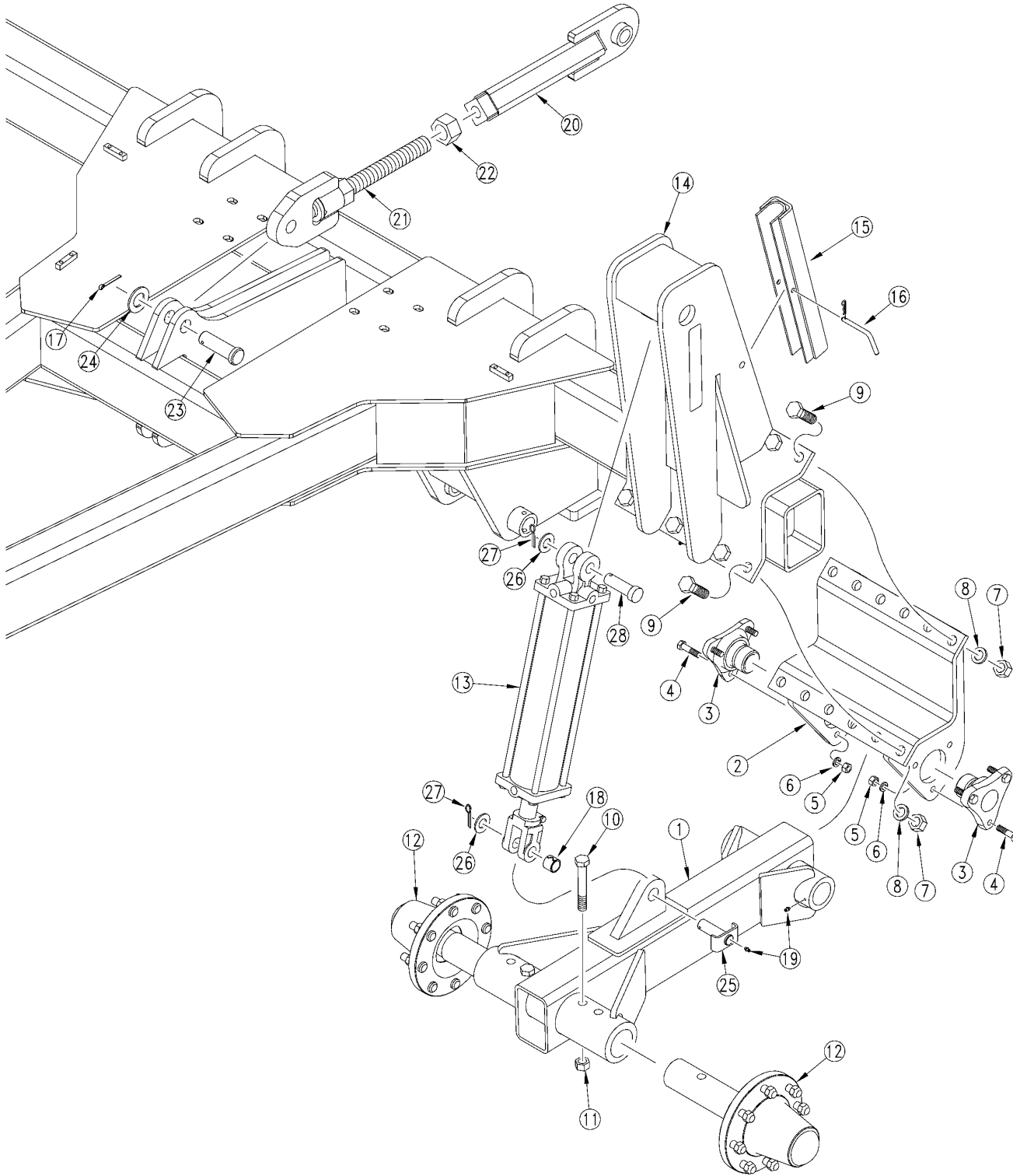
(Applies to SSH No-Till Hitch only)

Ref	Part No.	Part Description	Comments	Revision
	dwg43717	Image No.		
1.	599-060H	PULL HITCH TOP LINK WELDMENT		
1.	599-081H	PULL HITCH TOP LINK CAT 4 WELD	Used on Cat 4 Hitch Only	
2.	803-073C	NUT HEX 1 1/2-6 PLT		
2.	803-472C	NUT HEX 1 3/4-5 PLT	Used on Cat 4 Hitch Only	
3.	599-021H	RIPPER LEVEL LINK ADJUSTER		
3.	599-080H	CAT 4 LEVEL LINK ADJUSTER	Used on Cat 4 Hitch Only	
4.	805-196C	PIN CLVS 1.25X3.38 USBL GR5		
5.	804-039C	WASHER FLAT 1 1/4 SAE PLT		
6.	805-021C	PIN COTTER 1/4 X 2 PLT		
7.	804-035C	WASHER FLAT 1 1/4 USS PLT		
8.	599-004H	HITCH UPPER GW MNT WLMT		
9.	805-105C	PIN COTTER 1/4 X 2 1/2 PLT		
10.	805-402C	PIN CLVS 1.25X4.19 USBL GR5		
11.	196-289H	CYLINDER LOCK CHANNEL 1 1/2X16		
12.	805-001C	PIN BENT .38X3.0 USBL W/PIN		
13.	802-103C	HHCS 7/8-9X2 3/4 GR5		
14.	599-003H	HITCH LOWER GW MNT WLMT		
15.	804-037C	WASHER LOCK SPRING 7/8 PLT		
16.	803-049C	NUT HEX 7/8-9 PLT		
17.	599-061H	TOOL BAR EXTENSION WLMT		
18.	804-023C	WASHER LOCK SPRING 3/4 PLT		
19.	802-064C	HHCS 3/4-10X2 GR5		
20.	802-130C	HHCS 1/2-13X2 1/2 GR5		
21.	266-059D	3 BOLT CASTING CAP 1/2" THK		
22.	120-188D	3 BOLT PIVOT CAST W/BRG SEAT		
23.	804-015C	WASHER LOCK SPRING 1/2 PLT		
24.	803-020C	NUT HEX 1/2-13 PLT		
25.	804-028C	WASHER FLAT 1 USS PLT		
26.	802-728C	HHCS 1-8X18 GR5		
27.	815-103C	HUB & SPINDLE ASY 8 BOLT 5790#		
28.	196-409H	CYL PIN NR 1.25X3.09X2.63 W/GR		
29.	890-011C	BUSHING SPINDLE 1 1/2X1 1/4X1		
30.	803-026C	NUT LOCK 3/4-10 PLT		
31.	810-443C	MW STOP BUSH SET 1 1/2 SBS150		
32.	802-069C	HHCS 3/4-10X5 GR5		
33.	810-496C	CYL REP 5X16X1.5 ROD (TIE)		
33.	810-497C	CYL REP 4.75X16X1.5 ROD (TIE)		
34.	804-027C	WASHER LOCK SPRING 1 PLT		
35.	803-031C	NUT HEX 1-8 PLT		
36.	599-005H	HITCH GAUGE WHEEL WLMT		
37.	800-001C	GREASE ZERK STRAIGHT 1/4-28		
38.	501-020D	BUSHING - CAT 4 UPPER	Used on Cat 4 Hitch Only	

[Table of Contents](#) [Part Number Index](#)

Transport (S/N 1419ZZ-)

(Applies to SSH No-Till Hitch only)



21592

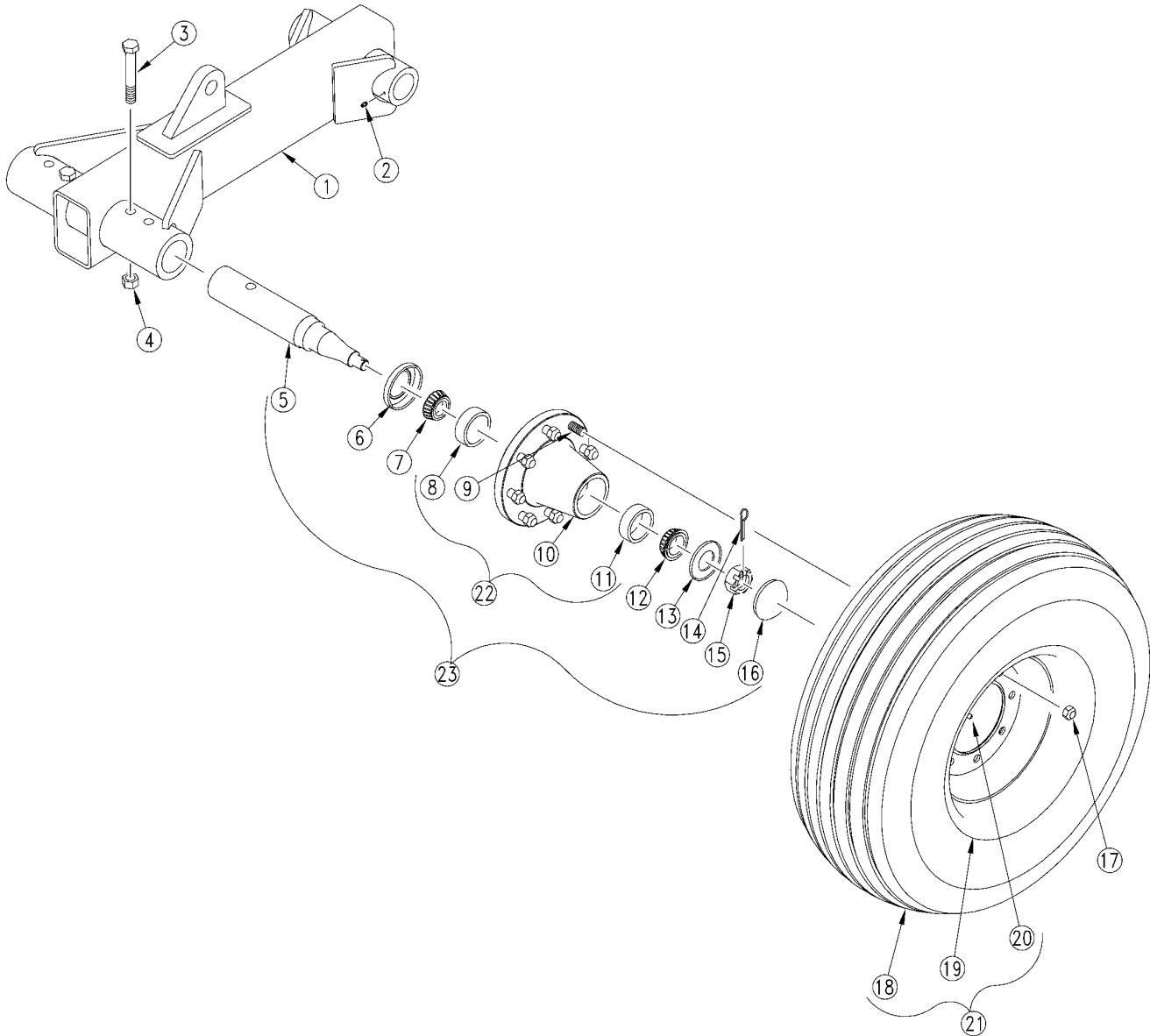
Transport (S/N 1419ZZ-)

(Applies to SSH No-Till Hitch only)

Ref	Part No.	Part Description	Comments	Revision
	dwg21592	Image No.		
1.	599-005H	HITCH GAUGE WHEEL WLMT		
2.	599-003H	HITCH LOWER GW MNT WLMT		
3.	120-223D	3 BOLT PIVOT CAST MACHINED		
4.	802-128C	HHCS 1/2-13X2 GR5		
5.	803-020C	NUT HEX 1/2-13 PLT		
6.	804-015C	WASHER LOCK SPRING 1/2 PLT		
7.	803-049C	NUT HEX 7/8-9 PLT		
8.	804-037C	WASHER LOCK SPRING 7/8 PLT		
9.	802-103C	HHCS 7/8-9X2 3/4 GR5		
10.	802-069C	HHCS 3/4-10X5 GR5		
11.	803-026C	NUT LOCK 3/4-10 PLT		
12.	815-103C	HUB & SPINDLE ASY 8 BOLT 5790#	See "Spindle And Tire"	
13.	810-496C	CYL REP 5X16X1.5 ROD (TIE)	See "Hydraulic Cylinder (810-496C 5x16x1.5 Rod)"	
13.	810-497C	CYL REP 4.75X16X1.5 ROD (TIE)	See "Hydraulic Cylinder (810-497C 4.75x16x1.5 Rod)"	
14.	599-004H	HITCH UPPER GW MNT WLMT		
15.	196-289H	CYLINDER LOCK CHANNEL 1 1/2X16		
16.	805-152C	BENT PIN 3/8 X 2 1/2 USE W/COT		
17.	805-021C	PIN COTTER 1/4 X 2 PLT		
18.	890-011C	BUSHING SPINDLE 1 1/2X1 1/4X1		
19.	800-001C	GREASE ZERK STRAIGHT 1/4-28		
20.	599-060H	PULL HITCH TOP LINK WELDMENT		
21.	599-021H	RIPPER LEVEL LINK ADJUSTER		
22.	803-073C	NUT HEX 1 1/2-6 PLT		
23.	805-196C	PIN CLEVIS 1 1/4 X 3 3/8 GR5		
24.	804-039C	WASHER FLAT 1 1/4 SAE PLT		
25.	196-409H	CYL PIN NR 1.25X3.09X2.63 W/GR		
26.	804-035C	WASHER FLAT 1 1/4 USS PLT		
27.	805-105C	PIN COTTER 1/4 X 2 1/2 PLT		
28.	805-402C	PIN CLEVIS 1 1/4 X 4.19 GR5		

Spindle And Tire

(Applies to SSH No-Till Hitch only)



21593

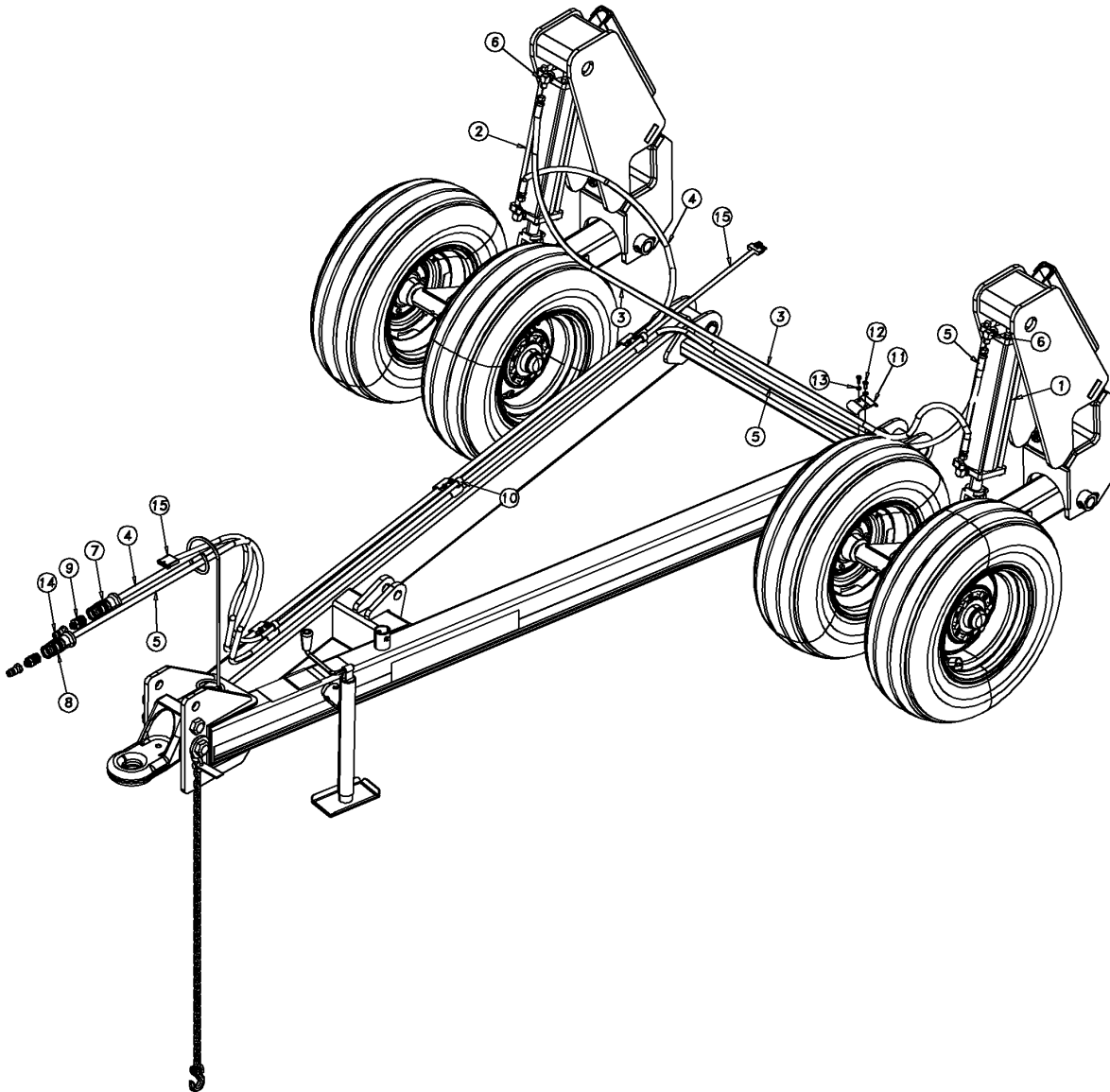
Spindle And Tire

(Applies to SSH No-Till Hitch only)

Ref	Part No.	Part Description	Comments	Revision
	dwg21593	Image No.		
1.	599-005H	HITCH GAUGE WHEEL WLMT		
2.	800-001C	GREASE ZERK STRAIGHT 1/4-28		
3.	802-069C	HHCS 3/4-10X5 GR5		
4.	803-026C	NUT LOCK 3/4-10 PLT		
5.	815-099C	SPINDLE SGL 2.73X15.97		
6.	816-019C	8-BOLT HUB SEAL		
7.	822-036C	BRG CONE 2.00IDX1.18WD #3780		
8.	822-037C	BRG CUP 3.67ODX.93WD #3720		
9.	802-182C	HUB STUD 5/8-18X2 1/2 GR5		
10.	200-006D	8-BOLT WHEEL HUB MACH.		
11.	822-039C	BRG CUP 3.00ODX.75WD #2720		
12.	822-038C	BRG CONE 1.31IDX1.01WD #2790		
13.	181-064D	7/8 SPINDLE WASHER, HARDENED		
14.	805-016C	PIN COTTER 3/16 X 1 1/4 PLT		
15.	803-029C	NUT HEX SLOTTED 7/8-14 PLT		
16.	890-032C	HUB CAP		
17.	803-219C	NUT LUG 5/8-18 X 90 DEG PLT		
18.	814-227C	TIRE 12.5LX15 LOAD F	(S/N 1420ZZ+)	
18.	814-255C	TIRE 12.5LX15 LOAD F FIRESTONE	(S/N 1419ZZ-)	
19.	814-537C	WHEEL 15X10 8 BOLT BUCKSKIN	(S/N 1420ZZ+)	
19.	814-223C	WHEEL 15X10 8 BOLT WHITE	(S/N 1419ZZ-)	
20.	816-035C	VALVE STEM TR415X.625X1 1/4 LG		
21.	814-541C	TIRE/WHL 12.5LX15 LOAD F BSKN	Includes items 18-20 (S/N 1420ZZ+)	
21.	814-256C	TIRE/WHL 12.5LX15 LD F WHT FST	(S/N 1419ZZ-)	
22.	815-101C	HUB 8 BOLT 5790# W/CUPS&STUDS		
23.	815-103C	HUB & SPINDLE ASY 8 BOLT 5790#		

Hydraulics

(Applies to SSH No-Till Hitch only)



43718

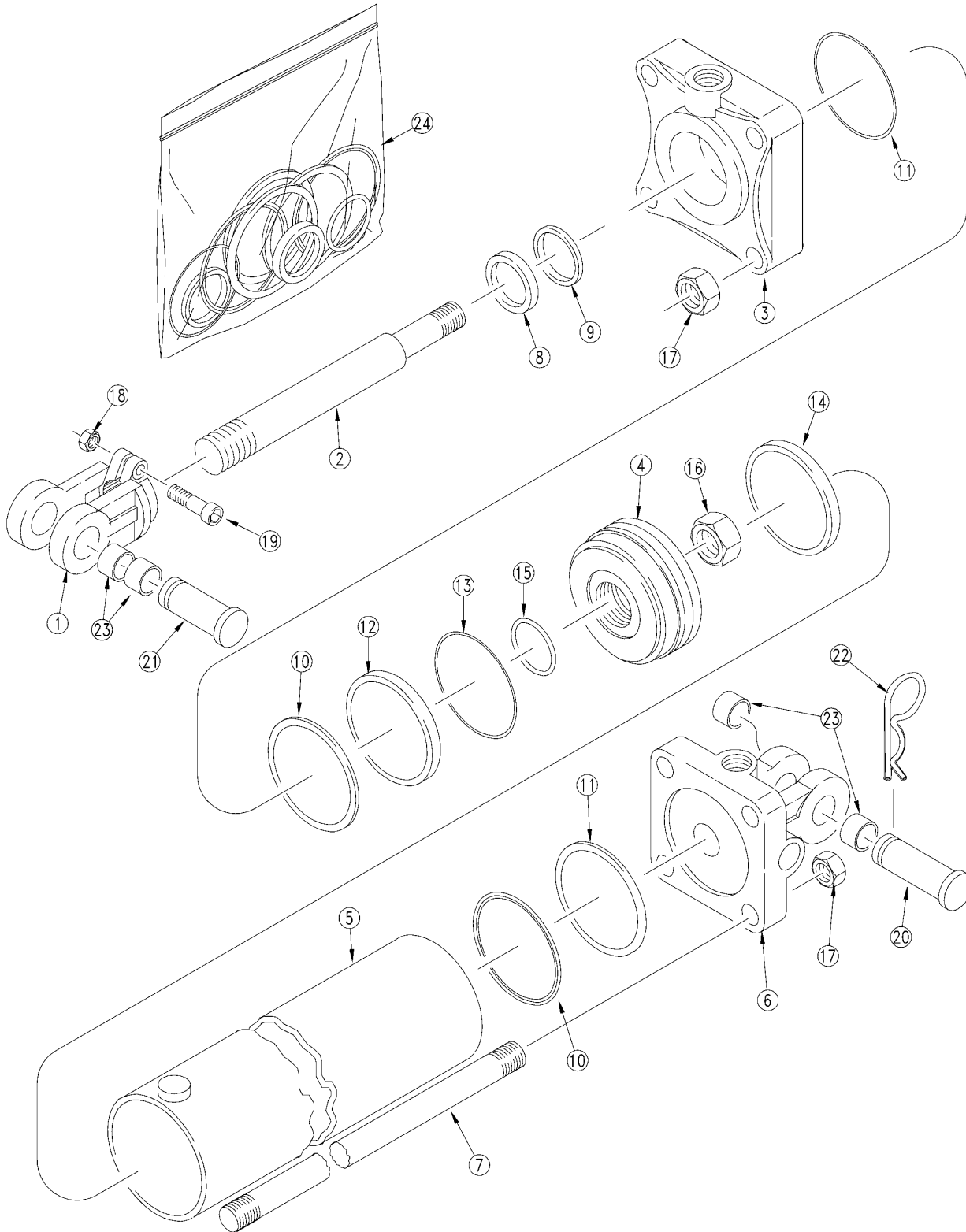
Hydraulics

(Applies to SSH No-Till Hitch only)

Ref	Part No.	Part Description	Comments	Revision
	dwg43718	Image No.		
1.	810-521C	CYL REP 4X16X1.38 ROD (TIE)	Refer to "Hydraulic Cylinder (810-521C 4x16x1.38 Rod" for breakdown	
2.	810-520C	CYL REP 3.75X16X1.38 ROD (TIE)	Refer to "Hydraulic Cylinder (810-520C 3.75x16x1.38 Rod" for breakdown	
3.	811-859C	HH1/2R2 114 3/4FJIC		
4.	841-164C	HH1/2R2 272 3/4MORB 3/4FJIC		
5.	841-165C	HH1/2R2 326 3/4MORB 3/4FJIC		
6.	811-063C	EL 3/4MJIC 3/4MORB		
7.	841-542C	HG HANDLE - BLUE EXT		
8.	841-543C	HG HANDLE - BLUE RET		
9.	811-919C	AD 3/4MORB 3/4FORB (HG)		
10.	800-064C	HOSE CLIP 13/16 ID		
11.	502-068D	HYD HOSE CLAMP BRACKET		
12.	802-007C	HHCS 5/16-18X3/4 GR5		
13.	804-009C	WASHER LOCK SPRING 5/16 PLT		
14.	811-394C	CP 3/4FORB MALE QD POPPET TYPE		
15.	833-687C	AG LIGHT HARNESS, EXT-15' LED		

Hydraulic Cylinder (810-496C 5x16x1.5 Rod)

(Applies to SSH No-Till Hitch only)



20297

Hydraulic Cylinder (810-496C 5x16x1.5 Rod)

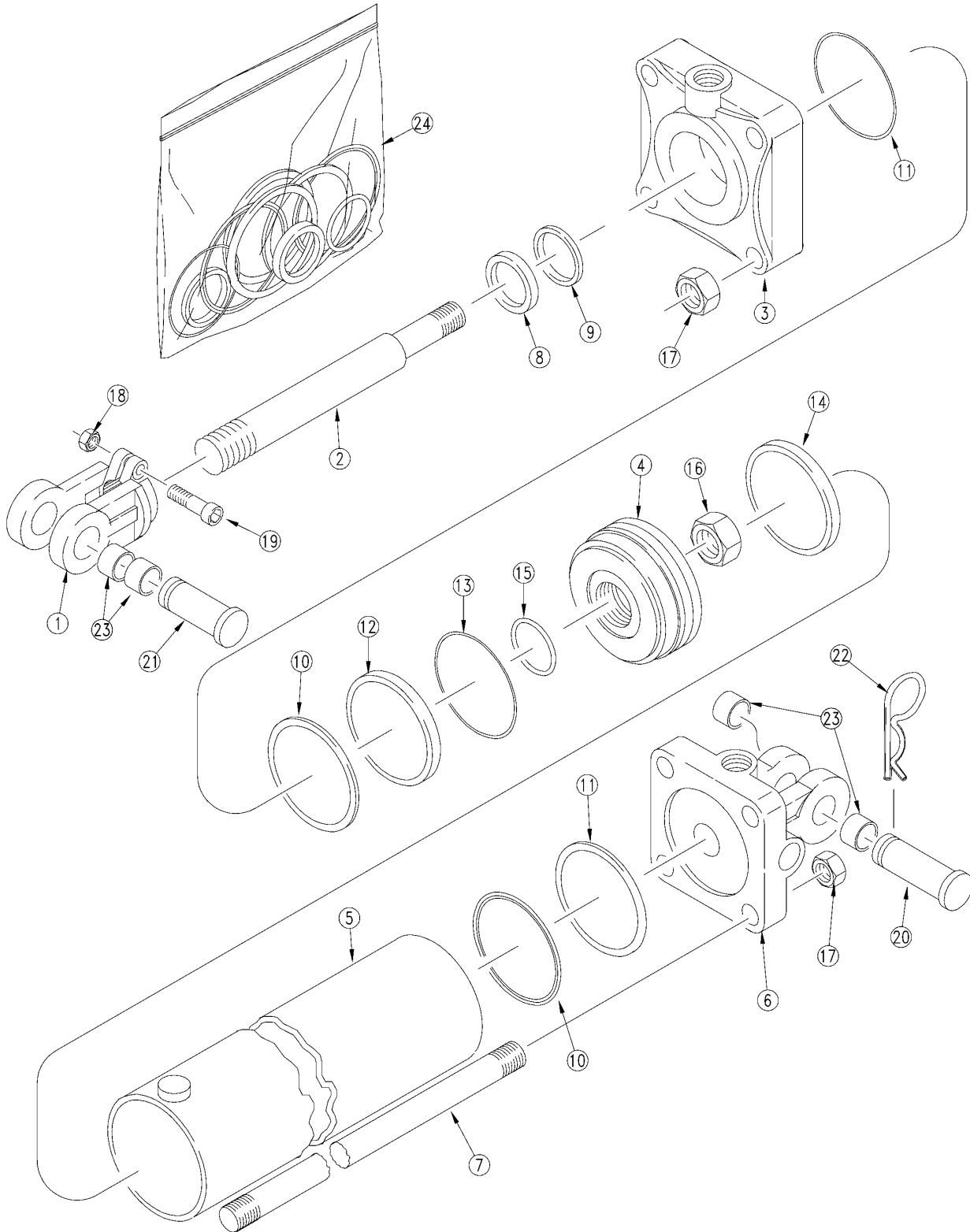
(Applies to SSH No-Till Hitch only)

Ref	Part No.	Part Description	Comments	Revision
	dwg20297	Image No.		
1.	1M7028	MIDWAY CLEVIS		
2.	2S8522	ROD MIDWAY		
3.	3R9512	MIDWAY HEAD		
4.	4R9108	PISTON MIDWAY		
5.	5R9124	TUBE MIDWAY		
6.	6R9171	BASE MIDWAY		
7.	7M8324	TIE ROD MIDWAY		
8.		MW WIPER	Only available in item 24	
9.		U-CUP	Only available in item 24	
10.		O-RING	Only available in item 24	
11.		MW BACK UP	Only available in item 24	
12.		SEAL, TEFLON MIDWAY	Only available in item 24	
13.		O-RING LOADER MIDWAY	Only available in item 24	
14.		WEAR RING MIDWAY	Only available in item 24	
15.		MW O-RING	Only available in item 24	
16.	2A0025	MW PISTON NUT 1 1/4"-12 UNF		
17.	2A0019	RPBY 803-257C		
18.	2A0012	RPBY 803-234C		
19.	802-023C	HHCS 3/8-16X1 3/4 GR5		
20.	2A0218	CLEVIS PIN MIDWAY		
21.	2A0215	CLEVIS PIN MIDWAY		
22.	2A0132	MW PIN CLIP		
23.	890-620C	BUSHING,1 1/2X1 1/4X3/4LG		
24.	810-507C	SEAL KIT MW (4A9104)		

[Table of Contents](#) [Part Number Index](#)

Hydraulic Cylinder (810-497C 4.75x16x1.5 Rod)

(Applies to SSH No-Till Hitch only)



20297

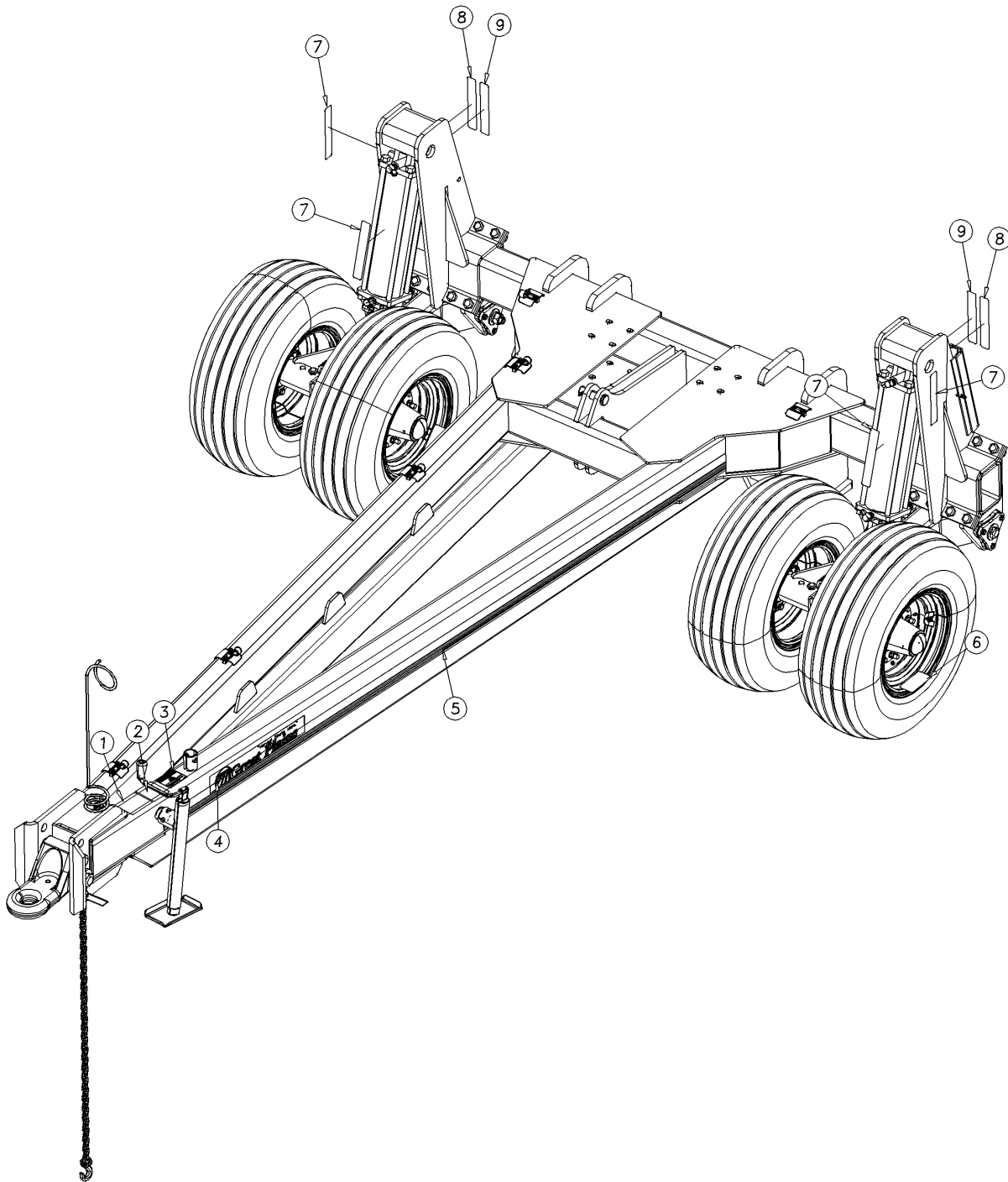
Hydraulic Cylinder (810-497C 4.75x16x1.5 Rod)

(Applies to SSH No-Till Hitch only)

Ref	Part No.	Part Description	Comments	Revision
	dwg20297	Image No.		
1.	1M7028	MIDWAY CLEVIS		
2.	2S8522	ROD MIDWAY		
3.	3R8512	MIDWAY HEAD F/ 4 3/4 CYL		
4.	4R8108	PISTON MIDWAY		
5.	5R8124	TUBE MIDWAY		
6.	6R8171	BASE MIDWAY		
7.	7M8324	TIE ROD MIDWAY		
8.		MW WIPER	Only available in item 24	
9.		U-CUP	Only available in item 24	
10.		O-RING MIDWAY	Only available in item 24	
11.		MW BACK UP	Only available in item 24	
12.		SEAL, TEFLON MIDWAY	Only available in item 24	
13.		O-RING LOADER MIDWAY	Only available in item 24	
14.		WEAR RING MIDWAY	Only available in item 24	
15.		MW O-RING	Only available in item 24	
16.	2A0025	MW PISTON NUT 1 1/4"-12 UNF		
17.	2A0019	RPBY 803-257C		
18.	2A0012	RPBY 803-234C		
19.	802-023C	HHCS 3/8-16X1 3/4 GR5		
20.	2A0218	CLEVIS PIN MIDWAY		
21.	2A0215	CLEVIS PIN MIDWAY		
22.	2A0132	MW PIN CLIP		
23.	890-620C	BUSHING,1 1/2X1 1/4X3/4LG		
24.	810-160C	SEAL KIT MW 4.75 RPHCYL 4A8104		

Decals

(Applies to SSH No-Till Hitch only)



43719

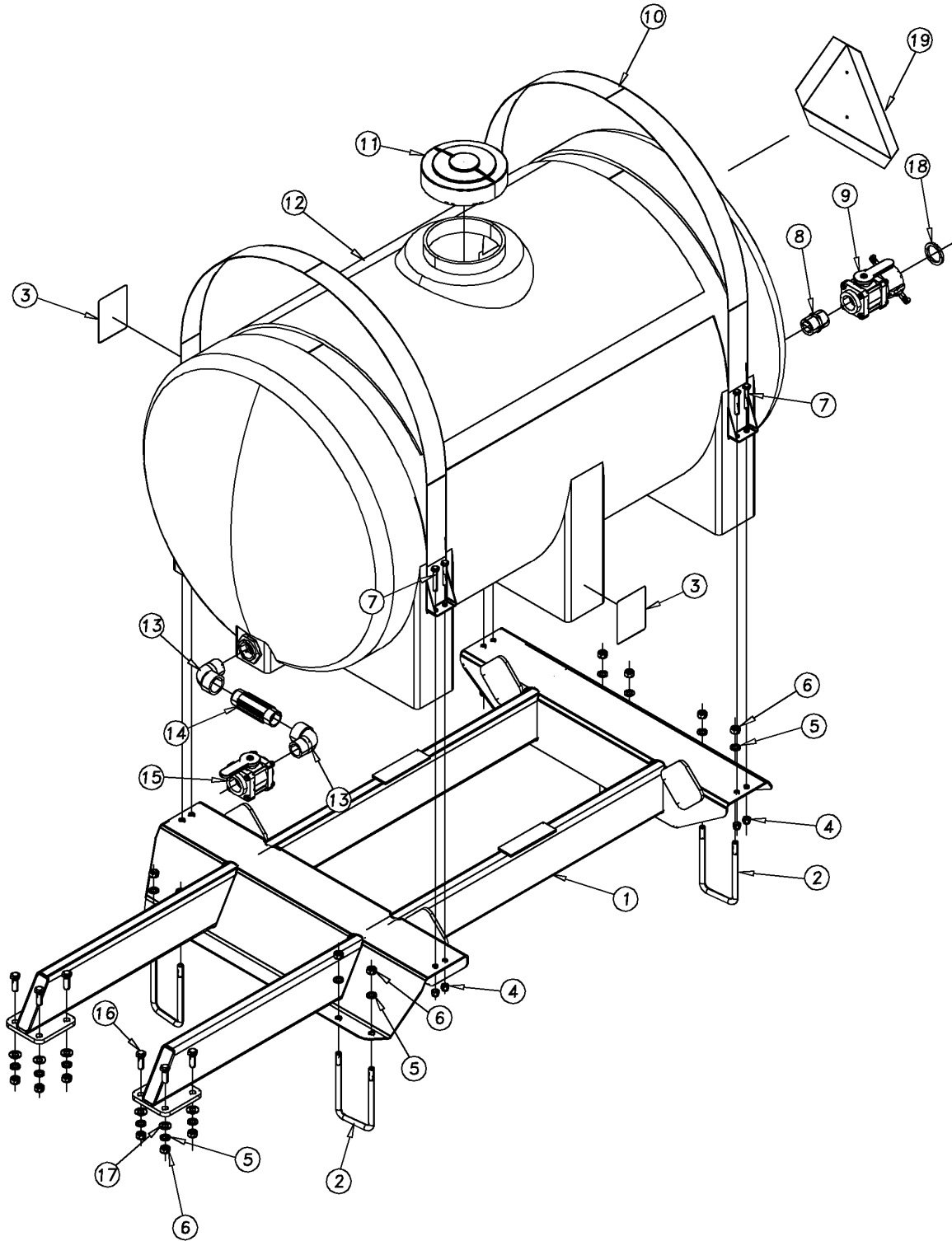
Decals

(Applies to SSH No-Till Hitch only)

Ref	Part No.	Part Description	Comments	Revision
	dwg43719	Image No.		
1.	818-019C	DECAL WARNING NEG TONGUE WT		
2.	818-339C	DECAL WARNING HIGH PRESSUR SML		
3.	848-512C	DECAL PIC READ MANUAL		
4.	848-911C	DECAL GP&LOGO HARVEST/3X20 STR		
5.	838-160C	DECAL 3 COLOR STRIPE 2.50 WIDE		
6.	838-259C	DECAL CAUTION TIRE 90 PSI/170		
7.	838-265C	DECAL REFLECTOR AMBER 2X9		
8.	838-266C	DECAL REFLECTOR RED 2X9		
9.	838-267C	DECAL REFLECTOR DAYTIME 2X9		

Fertilizer Tank & Mount

(Applies to SSH No-Till Hitch only)



43720

Fertilizer Tank & Mount

(Applies to SSH No-Till Hitch only)

Ref	Part No.	Part Description	Comments	Revision
	dwg43720	Image No.		
1.	599-010H	HITCH LIQUID FERT TANK MOUNT		
2.	806-015C	U-BOLT 5/8-11 X 4 1/32 X 8		
3.	818-323C	DECAL AG CHEMICALS DANGER		
4.	803-147C	NUT HEX NYLOCK 1/2-13		
5.	804-022C	WASHER LOCK SPRING 5/8 PLT		
6.	803-021C	NUT HEX 5/8-11 PLT		
7.	802-412C	HHCS 1/2-13X2 3/4 FTTHD		
8.	830-045C	AD 1 1/2MNPT POLYPROP		
9.	829-048C	VALVE - 1 1/2FNPT X 2FCL POLYP		
10.	599-011H	HITCH LIQUID FERT TANK STRAP		
11.	343080	SNYDER VENTED CAP		
12.	817-546C	TANK - 300 GAL POLY LEG	Includes item 11	
13.	830-052C	EL 1 1/2MNPT X 1 1/2FNPT POLYP		
14.	830-135C	AD 1 1/2MNPT X 6 LONG POLYPROP		
15.	829-013C	VALVE 1 1/2FNPT BALL POLYPROP		
16.	802-053C	HHCS 5/8-11X1 3/4 GR5		
17.	804-095C	WASHER FLAT 5/8 HARD ASTM F436		
18.	829-107C	2" VALVE GASKET		
19.	818-003C	DECAL SLOW MOVING VEHICLE		



Part Number Index

The Part Number Index is a numeric index of all part numbers included in this manual. The index shows what page(s) the part is used on.

Part Number	Page	Part Number	Page	Part Number	Page
120-188D	13	803-014C	11	829-048C	27
120-223D	15	803-020C	9, 13, 15	829-107C	27
170-034H	7, 9	803-021C	27	830-045C	27
170-071H	7, 9	803-026C	13, 15, 17	830-052C	27
170-201D	7, 9	803-029C	17	830-135C	27
181-064D	17	803-031C	7, 9, 13	833-687C	19
194-070D	7, 9	803-034C	7, 9	838-160C	25
196-289H	13, 15	803-049C	13, 15	838-259C	25
196-409H	13, 15	803-073C	13, 15	838-265C	25
1M7028	21, 23	803-147C	27	838-266C	25
200-006D	17	803-219C	17	838-267C	25
266-059D	13	803-472C	13	841-164C	19
2A0012	21, 23	804-009C	7, 9, 19	841-165C	19
2A0019	21, 23	804-013C	11	841-542C	19
2A0025	21, 23	804-015C	7, 9, 13, 15	841-543C	19
2A0132	21, 23	804-017C	7, 9	848-512C	25
2A0215	21, 23	804-022C	27	848-911C	25
2A0218	21, 23	804-023C	11, 13	890-011C	13, 15
2S8522	21, 23	804-027C	7, 9, 13	890-032C	17
343080	27	804-028C	13	890-183C	7, 9
3R8512	23	804-030C	7, 9	890-245C	7, 9
3R9512	21	804-035C	13, 15	890-600C	7, 9
4R8108	23	804-037C	13, 15	890-620C	21, 23
4R9108	21	804-039C	7, 13, 15	891-210C	7, 9
501-020D	13	804-095C	27	dwg20297	21, 23
502-068D	7, 9, 19	805-001C	13	dwg21592	15
599-003H	13, 15	805-016C	17	dwg21593	17
599-004H	13, 15	805-021C	7, 13, 15	dwg42992	9
599-005H	13, 15, 17	805-032C	11	dwg42993	11
599-006H	11	805-105C	13, 15	dwg43712	7
599-007H	7, 9	805-152C	15	dwg43717	13
599-010H	27	805-167C	11	dwg43718	19
599-011H	27	805-196C	7, 13, 15	dwg43719	25
599-021H	13, 15	805-263C	11	dwg43720	27
599-029D	11	805-313C	11		
599-035D	11	805-402C	13, 15		
599-060H	13, 15	806-015C	27		
599-061H	11, 13	807-073C	7, 9		
599-066H	11	810-160C	23		
599-067H	11	810-443C	13		
599-072A	7, 9	810-496C	13, 15		
599-080H	13	810-497C	13, 15		
599-081H	13	810-507C	21		
5R8124	23	810-520C	19		
5R9124	21	810-521C	19		
6R8171	23	811-063C	19		
6R9171	21	811-394C	19		
7M8324	21, 23	811-859C	19		
800-001C	13, 15, 17	811-919C	19		
800-064C	7, 9, 19	814-223C	17		
802-007C	7, 9, 19	814-227C	17		
802-023C	21, 23	814-255C	17		
802-039C	9	814-256C	17		
802-041C	9	814-537C	17		
802-053C	27	814-541C	17		
802-064C	11, 13	815-099C	17		
802-069C	13, 15, 17	815-101C	17		
802-079C	11	815-103C	13, 15, 17		
802-082C	7	816-019C	17		
802-103C	13, 15	816-035C	17		
802-128C	15	817-546C	27		
802-130C	13	818-003C	27		
802-144C	7, 9	818-019C	25		
802-182C	17	818-323C	27		
802-216C	11	818-339C	25		
802-412C	27	822-036C	17		
802-543C	7, 9	822-037C	17		
802-544C	7, 9	822-038C	17		
802-728C	13	822-039C	17		
803-013C	11	829-013C	27		

This Page Intentionally Left Blank



Great Plains Mfg., Inc.
1525 E. North Street
Salina, Kansas 67401 USA

www.greatplainsmfg.com
