

Installation Instructions



Auto Reset Shank Heavy Reset Springs Kit

Used with:

- Auto Reset Shank



When you see this symbol, the subsequent instructions and warnings are serious - follow without exception. Your life and the lives of others depend on it!

General Information

These instructions explain how to install the Heavy Reset Springs for Verti-Tills and Inline Subsoilers built before April 2005. Units built April 2005+ are equipped with Heavy Reset Springs.

These instructions apply to:

598-027A Heavy Reset Springs Kit

Before You Start

Page 3 is a detailed listing of parts included in the Heavy Reset Springs kit. Use this list to inventory parts received.

Tools Required

- Basic hand tools

Assembly Instructions

Refer to *Figure 1*

1. Raise the implement and install transport locks. Place tractor in park, turn off ignition and remove the key before performing update.

NOTE: If Auto Reset Shank is not already equipped with Reset Spring Lock Clamp (6) and bolts (7), skip step 2.

2. Unscrew 5/16-18" x 2" bolts (7) from reset spring lock clamp (6). Remove clamp and keep all parts for reuse.
3. Remove the rear 5/8" x 8" bolt (2) and 5/8" lock nut from the rear spring channel (3). Keep the bolt and nut for reuse.

NOTE: If the 5/8" bolt (2) is binding it will be necessary to adjust the 1" bolts (4) *in* to relieve pressure on bolt (2).



DANGER!

Do Not drive or force bolt (2) out. The stored energy of the springs could cause damage or bodily injury when released. Use bolts (4) to relieve pressure on bolt (2).

4. Place a block (1) under the spring to support the springs (5).

5. Unscrew the 5/16-18" x 2" bolts (4) from the springs by alternating between the upper and lower bolt so bolts back out evenly. Remove the spring channel (3). Discard the bolts and spring channel.
6. Replace original springs (5) with heavier springs provided in kit.

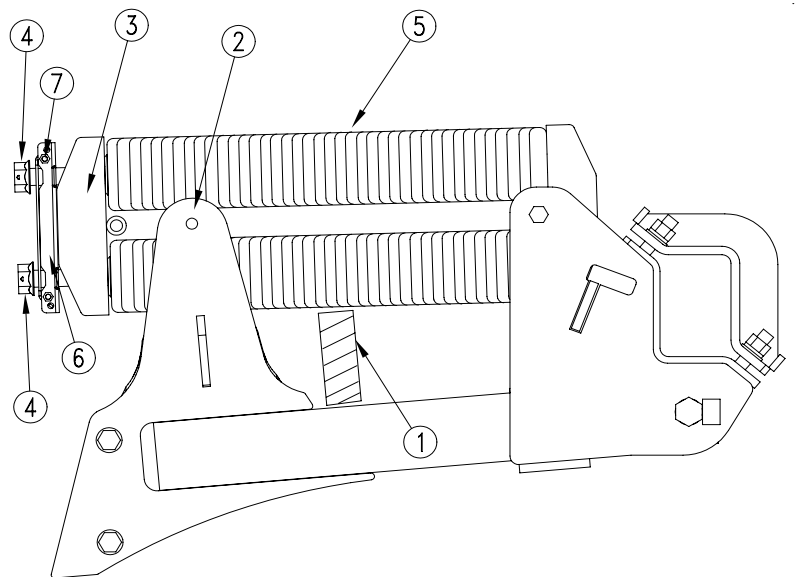


Figure 1
Remove Bolts

23086

2 Heavy Reset Springs Kit

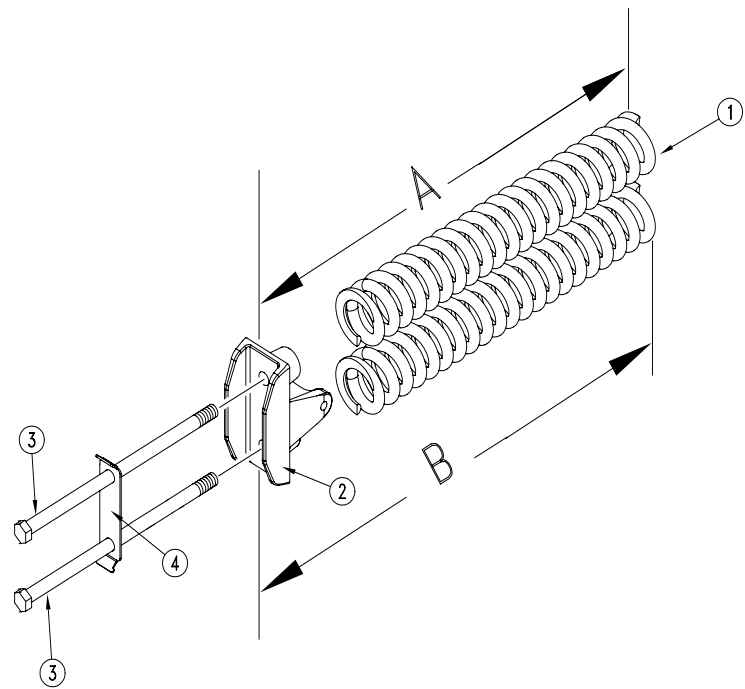
Refer to Figure 2

- Replace spring channel with the spring base casting (2). Place the reset spring lock base (4) on the 5/16-18" x 2" bolts (3) provided in kit.

NOTE: Be sure reset spring lock base (4) is placed on bolts (3) before completing next step.

- Insert the bolts (3) in the casting (2). Insert bolts (3) and casting (2) in the springs (1) and tighten the upper and lower bolt evenly until cross hole in the casting aligns with the hole in shank pivot arm. ****Check to make sure the top dimension "A" is equal to bottom dimension "B."** Adjust if needed. Screw the bolt heads just enough more so the flats on the side of each bolt head are aligned straight up and down.
- Remove the block holding the springs and replace the 5/8" x 8" bolt and lock nut removed in step four on page one.

****If the spring package is being reworked on a bench, the end of spring to end of spring dimension is 23.8".**

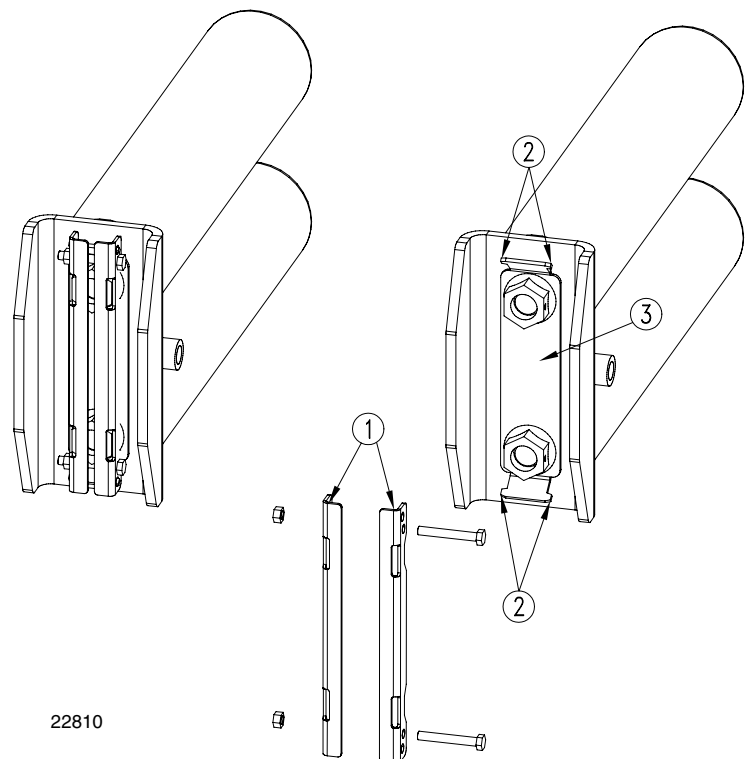


23085

Figure 2
Install Springs and Reassemble

Refer to Figure 3

- Assemble the spring lock clamp (1) together with 5/16" x 2 1/4" bolts and 1/4" lock nuts. Just finger tighten the nuts for now.
- Place the spring lock clamp (1) over the head of the bolt heads trapping the flats of the bolt. The tabs (2) on the spring lock base (3) must stick into the corresponding holes in the lock clamps (1).
- Tighten the 5/16" bolts on the spring lock clamp (1) securely trapping the flats on the bolt heads.



22810

Figure 3
Install Lock Clamp

598-027A Heavy Reset Springs Kit

Your kit includes:

Qty.	Part No.	Part Description
1	598-028M	MANUAL HEAVY RESET SPRINGS KIT
1	598-046D	RESET SPRING LOCK BASE
2	598-047D	RESET SPRING LOCK CLAMP
2	802-138C	HHCS 5/16-18X2 1/4 GR5
2	803-011C	NUT LOCK 5/16-18 PLT
2	802-792C	BOLT 1-8 x 21 GR5 SPTHD
2	807-254C	SPRING
1	812-147C	CASTING AUTO RESET SPRING BASE