



## Flex Harrow Light Kit Installation Instructions

### General Information

These Instructions explain how to install the flex harrow light update kit. The lights will be shipped mounted to brackets.

### Tools Required

- Basic Hand Tools
- Drill & Drill Bits
- Welder (optional)

### Models Covered

Flex Harrow 6000

Note: Refer to Parts manual (564-070P) for machine parts breakdown. The brackets may be welded on instead of drilling holes and bolted on. Use drill placement drawings if welding on. Align holes in brackets to dimensions in drawings. Remove old wiring harness and light brackets.

### 564-091A FLEX HARROW LIGHT KIT

Part #	Description	Qty.
564-088H	LIGHT BRACKET	2
564-090H	LIGHT BRACKET	2
801-081C	SCREW HEX SELF TAP 1/4-20X3/4	8
564-092M	FLEX HARROW LIGHT UPDATE KIT	1
802-005C	HHCS 1/4-20X1 GR5	12
802-091C	HHCS 1/2-13X1 1/2 GR5	4
803-007C	NUT-LOCK 1/4-20 PLT	12
803-020C	NUT HEX 1/2-13 PLT	4
804-015C	WASHER LOCK SPRING 1/2 PLT	4
838-603C	DECAL REFLECTOR ORANGE 2X9	2
838-614C	DECAL REFLECTOR RED 2X9	2
838-615C	DECAL REFLECTOR AMBER 2X9	4
890-901C	SAFETY LIGHT KIT	1

### Bottom Hole Placement

Refer to Figure 1

1. Drill four 7/32 holes in location shown on both sides.

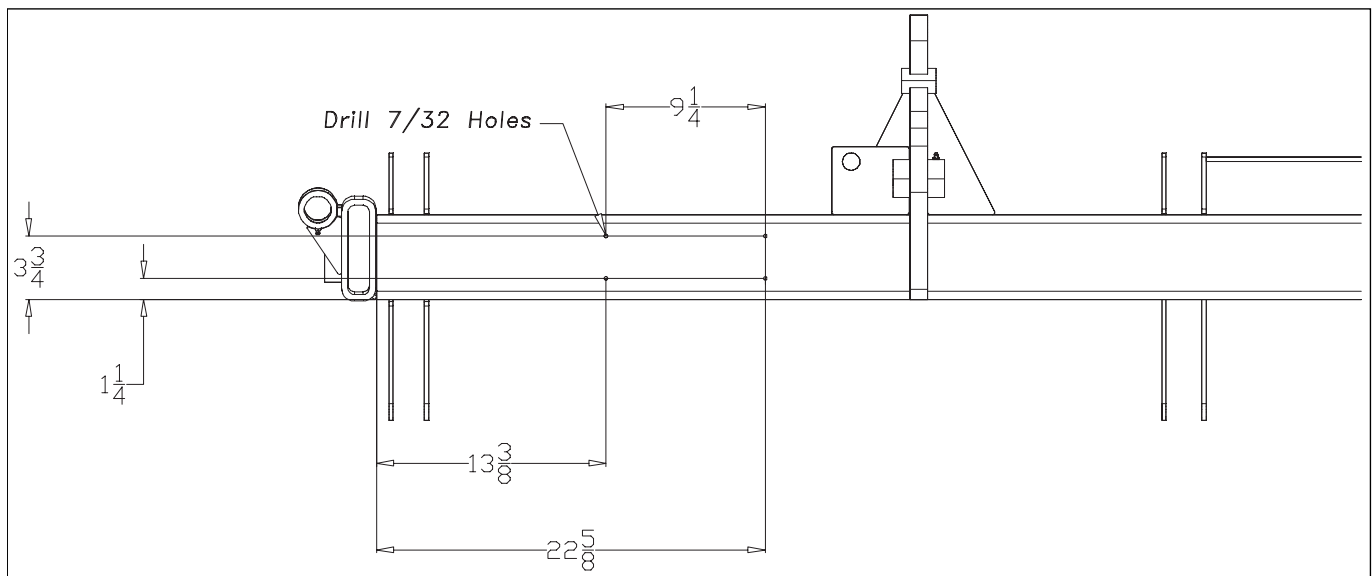


Figure 1  
Bottom Hole Placement

42305

## Side Hole Placement

Refer to Figure 2

2. Drill two 9/16 holes in location shown on both sides.

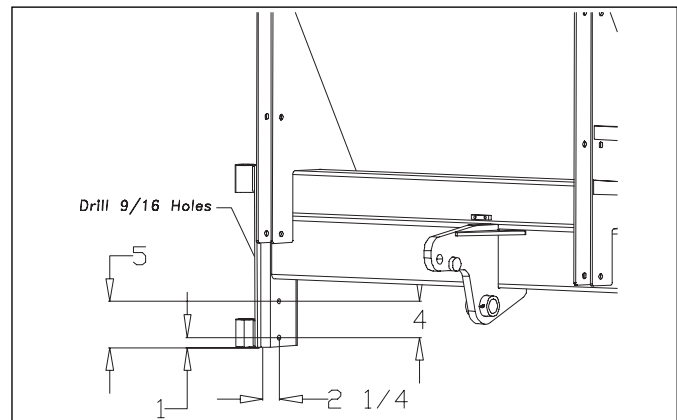


Figure 2  
Side Hole Placement

42306

## Light Bracket Mounting

Refer to Figure 3

3. Fasten light bracket assembly ① to the pre-drilled holes with the 1/4 x 3/4 self tapping screws ②.
4. Fasten light bracket assembly ③ in position shown with the 1/2 x 1 1/2 hex bolts ④, 1/2 lock washers and 1/2 nuts.
5. Tighten all bolts.
6. Route wiring harness from front of hitch along hydraulic hoses and across to light brackets. Route wires through bent tubing on outer light brackets and plug ends into lights as marked on harness.
7. Fasten wiring harness with plastic ties or hose clips. Be sure wire is fastened securely so it doesn't drag or get pinched when folding machine.
8. Clean surface and attach red ⑤ and orange ⑥ decals on bottom of tube in line with light bracket assembly ① as shown on both sides.
9. Clean surface and attach amber decal ⑦ in position shown on both sides of center frame bracket.

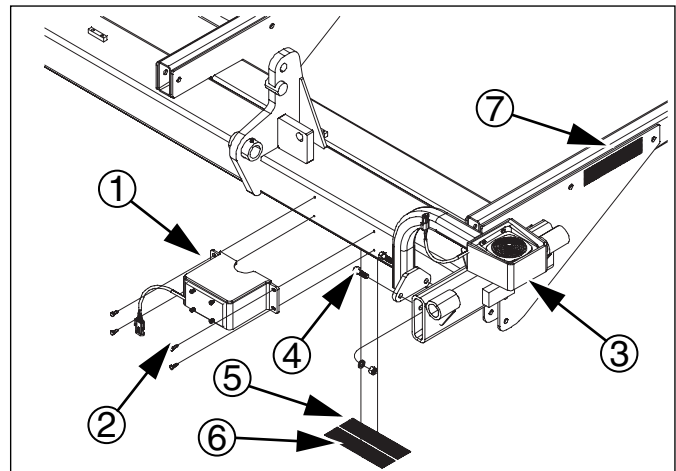


Figure 3  
Light Bracket Mounting

42307

Refer to Figure 4

10. Clean surface and attach amber decal ⑦ in position shown on both sides of hitch angle tube.

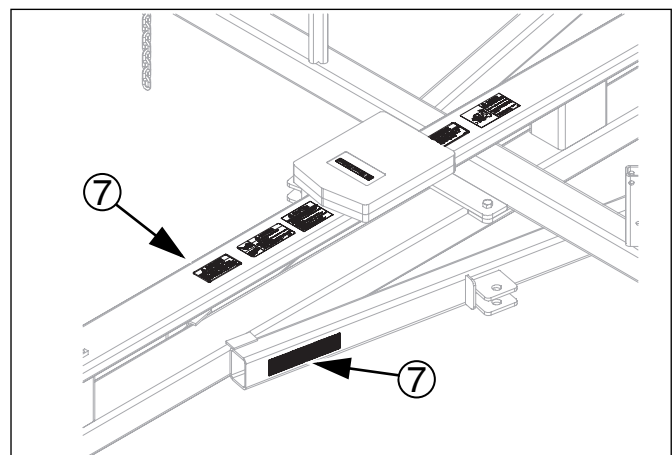


Figure 4  
Amber Decals Hitch Location

42406