

Disk Harrow Update
Gauge Wheel Update

General Information

These Instructions explain how to install the gauge wheel kit update. These instructions apply to kit number: 558-185A GAUGE WHEEL DISK UPDATE KIT. The gauge

wheel will come completely assembled. The plates will have to be welded on to wing frame.

Tools Required

- Basic Hand Tools

- Torque Wrench
- Welder

Manual Update

Refer to the Disk Harrow operator’s manual for detailed safety and maintaining of machine. Refer to parts manual for part identification.

- 556-100M Operator Manual
- 556-100P Parts Manual

558-185A Kit

Part Number	Description	Qty.
556-220K	GAUGE WHEEL ASY RH	1
556-221K	GAUGE WHEEL ASY LH	1
556-474D	PLATE - TORCHED	2
821-001C	PAINT GP GREEN SPRAY CAN	1

Assembly Instructions

Move machine to level ground, near a welder and unfold wings. Remove old gauge wheel assemblies from wing

frame. The old gauge wheel plates may stay on or may be cut off.

Refer to Figure 1

1. Center the 556-474D ① over the end of the outer tube of the wing frame ②.

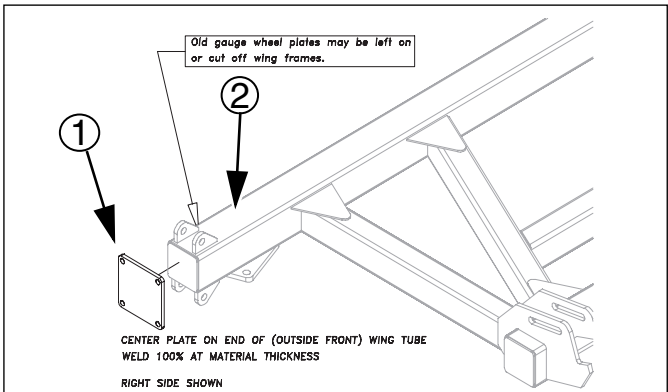


Figure 1
 Plate Assembly 41867

Refer to Figure 2

2. Position the plate as shown.
3. Weld the back side of the plate to the tube

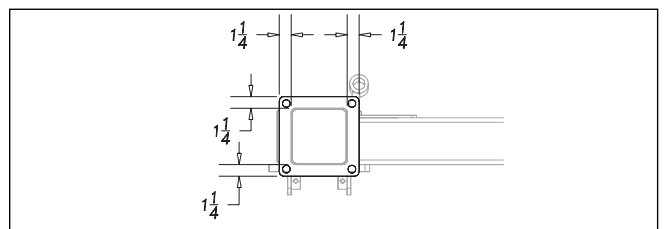


Figure 2
 Plate Location 41869

Refer to Figure 3

Note: There is a RH (right hand) and LH (left hand) assembly. The RH is shown.

4. Now the 556-220K gauge wheel assembly ① may be installed using the 3/4 x 2 hex bolts ②, 3/4 lock washers and 3/4 nuts.
5. Torque the bolts to 265 ft-lb.
6. Repeat the same procedure for the left hand side.

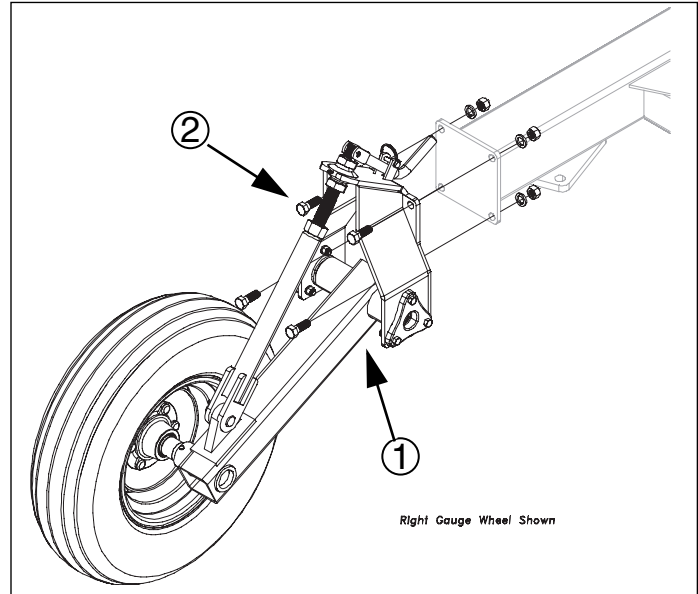


Figure 3
Gauge Wheel Assembly

41868

Refer to Figure 4.

7. To change the gauge wheel setting, remove the wire retaining pin and fold gauge wheel crank up to adjust. Lower or raise the gauge wheel by turning the gauge wheel crank. Raise the wheels up until you have the disk adjusted in the fore-and-aft, side to side and the desired working depth you desire. Fold the gauge wheel crank back down in the field position and reinstall the wire retaining pin. As you are running the disk through the field, stop the tractor leaving the disk in the ground. Now you can adjust the gauge wheels 1/2" to 1-1/2" above the ground. After initial adjustment you can turn gauge wheel crank the same amount as the depth stop crank (if changed, but crank turns opposite way than depth control crank to keep initial setting). This position should be maintained to prevent excessive wear to gauge wheel parts.

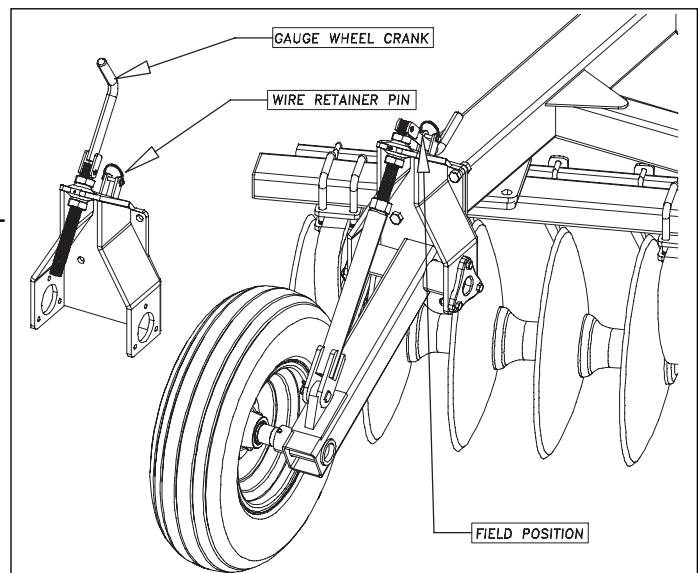


Figure 4
Gauge Wheel Adjustment

41870