



Application Systems Hydraulic Meterflow Pump

Used with:

- TA500 Sprayer
- 3P300 Sprayer



When you see this symbol, the subsequent instructions and warnings are serious - follow without exception. Your life and the lives of others depend on it!

General Information

These instructions explain how to install the hydraulic Meterflow pump. The pump is driven off the tractor hydraulics and pressurizes the sprayer contents for application.

These instructions apply to:

- 507-007A Pump TA Meterflow Hydraulic Assy**
507-059A Pump 3-Point Meterflow Hydraulic Assy

Manual Update

Refer to the sprayer operator's manual for detailed information on safely operating, adjusting, troubleshooting and maintaining the hydraulic Meterflow pump. Refer to the parts manual for part identification.

- TA500 Sprayer Operator's Manual500-102M
- TA500 Sprayer Parts Manual500-061P
- 3P300 Sprayer Operator's Manual500-103M
- 3P300 Sprayer Parts Manual500-062P

Before You Start

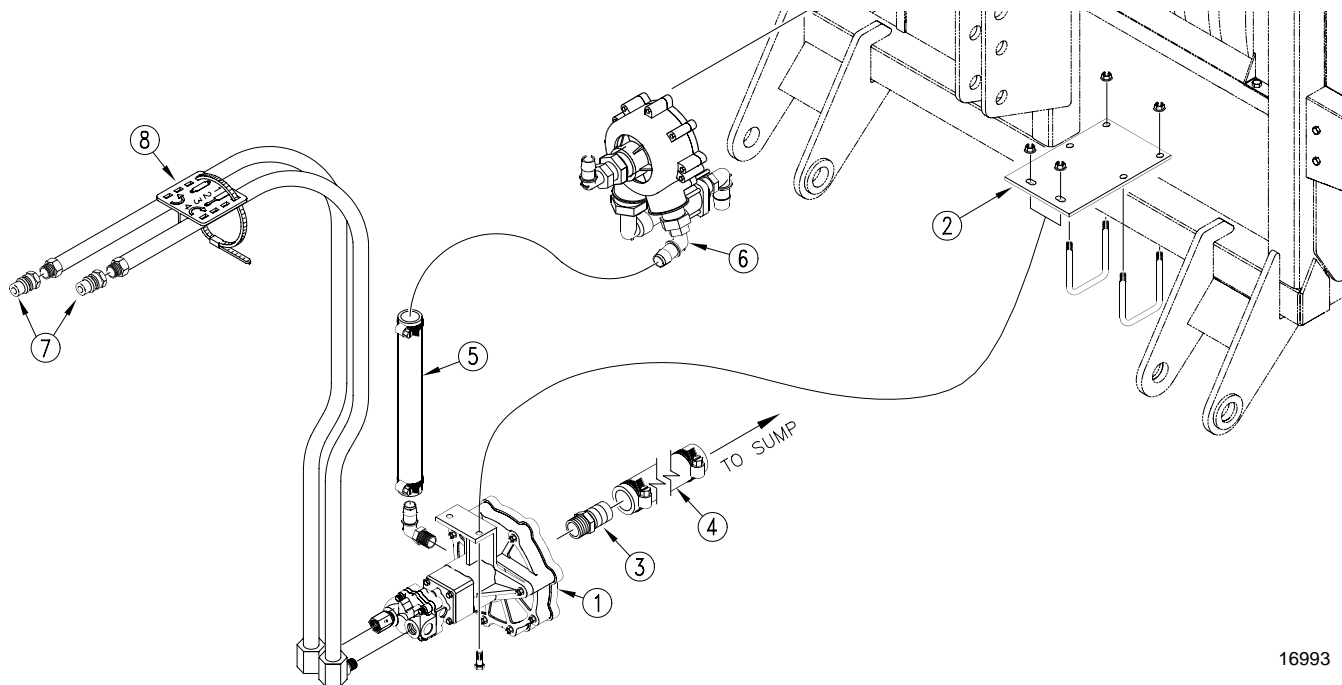
Page 3 is a detailed listing of parts included in the hydraulic Meterflow pump packages. Use these lists to inventory parts received.

Assembly Instructions

Three-Point Sprayers

Refer to Figure 1.

1. Assemble hydraulic pump (1) to sprayer frame with plate (2) and u-bolts as shown.
2. Screw adaptor (3) into pump inlet.
3. Using 1 1/2-inch hose (4) and larger worm clamps, connect pump adaptor to hose barb on sump valve under sprayer tank.
4. Using 1-inch hose (5) and smaller worm clamps, connect Whirlfilter (6) to elbow outlet on pump.
5. Screw a coupler (7) on end of each hydraulic hose.
6. Assemble hydraulic hoses onto pump.
7. Using cable tie, secure hydraulic hoses in hose label (8) about 18 inches from tractor quick couplers. Position label so hose from port A is under retracted cylinder and hose from port B is under extended cylinder.



16993

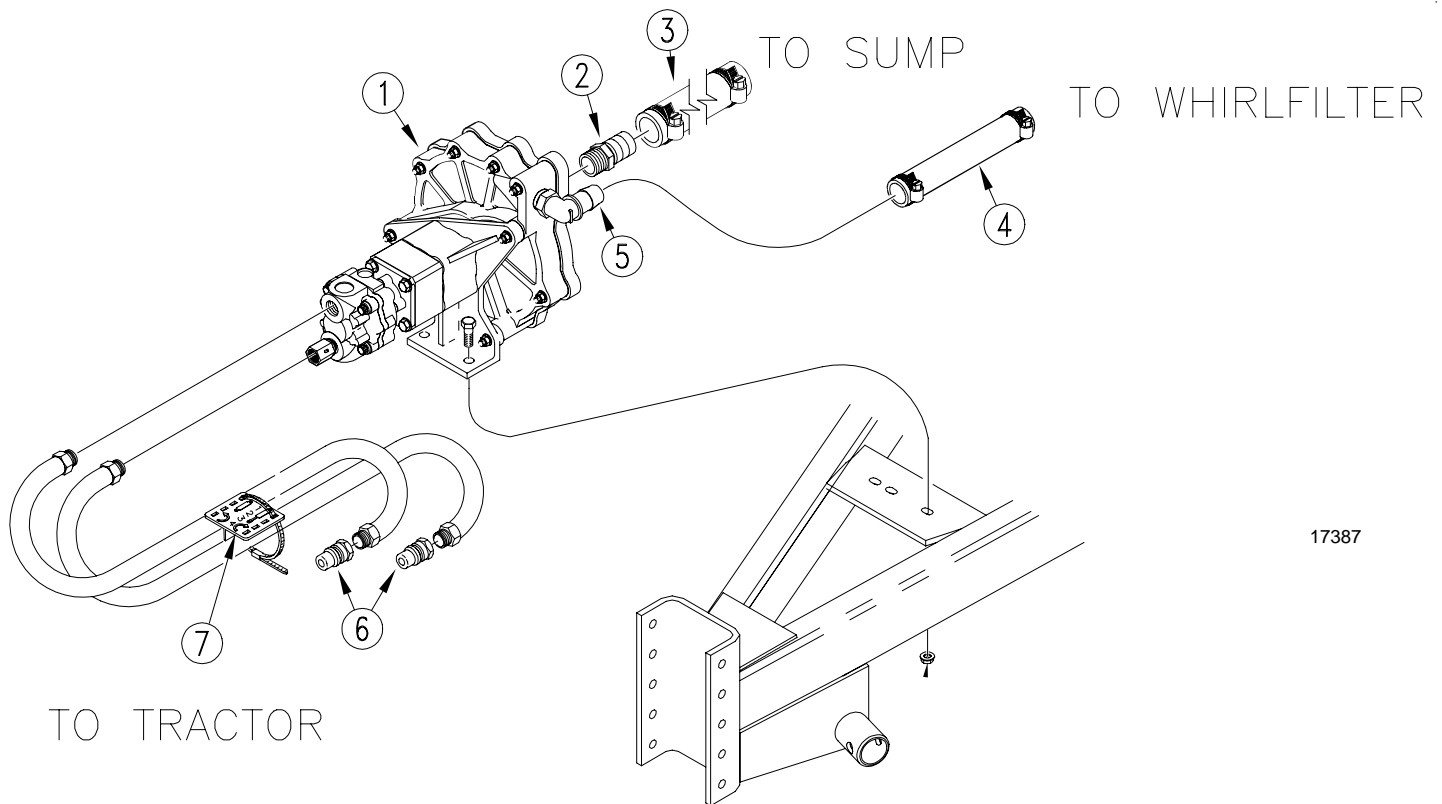
Figure 1
Three-Point Mounting

Assembly

Tandem-Axle Sprayers

Refer to Figure 2.

1. Mount pump assembly (1) on sprayer tongue using 3/8-inch bolts and nuts provided.
2. Screw adaptor (2) into pump inlet.
3. Using 1 1/2-inch hose (3) and larger worm clamps, connect pump adaptor to hose barb on sump valve under tank.
4. Using 1-inch hose (4) and smaller worm clamps, connect elbow adaptor on pump (5) to Whirlfilter.
5. Screw a coupler (6) on end of each hydraulic hose.
6. Assemble hydraulic hoses onto pump.
7. Using cable tie, secure both hoses in hose label (7). Position label so port A hose is under retracted cylinder and port B hose is under extended cylinder.



17387

Figure 2
Tandem-Axle Installation

507-059A PUMP 3-POINT METERFLOW HYD ASSY*Your Kit Includes:*

Qty.	Part No.	Part Description
1	507-013L	PUMP METERFLOW - HYDRAULIC
1	507-029D	3-PT SPRAYER PUMP BRACKET
1	507-097M	3P/AS HYD PUMP ASSY MANUAL
2	800-123C	CLAMP WRM DRV #16 SS (.68-1.5)
2	800-124C	CLAMP WRM DRV #24 SS (1.06-2)
1	800-303C	CABLE TIE 2 DIA MIN - BLK
2	802-079C	HHCS 3/8-16X1 1/4 GR5
6	803-068C	NUT HEX FLANGE 3/8-16 PLT
2	806-021C	U-BOLT 3/8-16 X 3 1/32 X 4
1	810-247C	VALVE, HYD PUMP CHECK
2	811-394C	CP 3/4FORB MALE QD
2	811-500C	HH1/2R2 050 3/4MORB 3/4MORB90
1	817-348C	PLASTIC HOSE LABEL
1	830-092C	AD 1 1/4MNPT X 1 1/2HB POLYP
1	990-079R	HOSE 1 1/2ID EPDM SUCTION HOSE
1.25	990-082R	HOSE 1 ID 200PSI EPDM

507-007A PUMP TA HYDRAULIC METERFLOW ASSY*Your Kit Includes:*

Qty.	Part No.	Part Description
1	507-013L	PUMP METERFLOW - HYDRAULIC
2	800-123C	CLAMP WRM DRV #16 SS (.68-1
2	800-125C	CLAMP WRM DRV#28 SS(1.31-2.
1	800-303C	CABLE TIE 2 DIA MIN - BLK
2	802-022C	HHCS 3/8-16X1 1/2 GR5
2	803-068C	NUT HEX FLANGE 3/8-16 PLT
1	810-247C	VALVE, HYD PUMP CHECK
2	811-160C	HH1/2R1 050 3/4MORB
2	811-394C	CP 3/4FORB MALE QD
1	817-348C	PLASTIC HOSE LABEL
1	830-092C	AD 1 1/4MNPT X 1 1/2HB POLY
4.667	990-079R	HOSE 1 1/2ID EPDM SUCTION H
2.500	990-082R	HOSE 1 ID 200PSI EPDM