

# Parts Manual

TM500 & TM700  
**Tractor Mount Sprayer**  
1993-1996

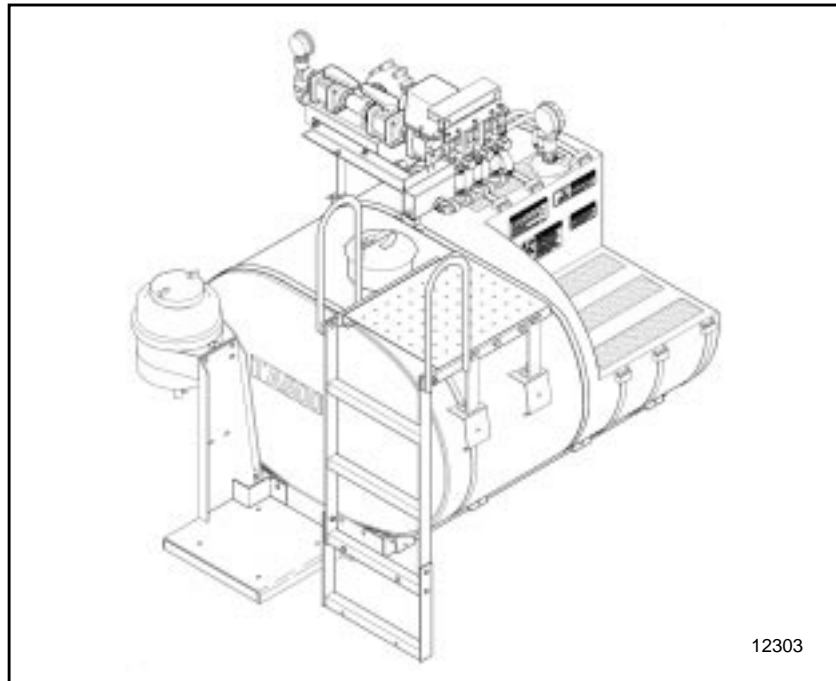
# Great Plains

Manufacturing, Inc.

P.O. Box 5060 • Salina, Kansas 67402-5060



Read the Operator's manual entirely. When you see this symbol, the subsequent instructions and warnings are serious - follow without exception. Your life and the lives of others depend on it!



12303

*Cover illustration may show optional equipment not supplied with standard unit.*

# Table of Contents

<b>Section 1 Introduction</b> . . . . .	<b>1-1</b>	1 1/2" Ball Valve Assembly . . . . .	3-9
<b>General Information</b> . . . . .	<b>1-1</b>	Whirlfilter ® Assembly . . . . .	3-11
Revisions . . . . .	1-1	<b>Section 4 Pumps</b> . . . . .	<b>4-1</b>
Touch-up Paint and Manual Information . . . . .	1-1	PTO Meterflow Pump Assembly . . . . .	4-1
Replacement Hardware . . . . .	1-1	PTO Pump Assembly . . . . .	4-3
Part Number Service Coding . . . . .	1-2	Hydraulic Pump Mount (507-039A) . . . . .	4-5
Part Number Index . . . . .	1-3	Hydraulic Pump with Motor Assembly . . . . .	4-7
<b>Section 2 Frames &amp; Tanks</b> . . . . .	<b>2-1</b>	Hydraulic Pump Assembly . . . . .	4-9
Case/IH Magnum 7110-7150 . . . . .	2-1	<b>Section 5 Flow Control</b> . . . . .	<b>5-1</b>
John Deere 4240-4455 High Mount Assembly . . . . .	2-3	Solenoid Valve Assembly . . . . .	5-1
John Deere 4630-4960 High Mount Assembly . . . . .	2-5	Pressure Head Plumbing Assembly . . . . .	5-3
Left Hand Tank Assembly . . . . .	2-7	Solenoid Valve Assembly 3-Way . . . . .	5-5
Stainless Steel Tank Lid Assembly . . . . .	2-9	Control Box Assembly . . . . .	5-7
Right Hand Tank Assembly . . . . .	2-11	Magnet Mount 3 1/2 Gauge Assembly (507-030K) . . . . .	5-9
<b>Section 3 Plumbing</b> . . . . .	<b>3-1</b>	<b>Section 6 Decals</b> . . . . .	<b>6-1</b>
Plumbing Controls Bracket Assembly . . . . .	3-1	Decal Placement . . . . .	6-1
Plumbing Assembly . . . . .	3-3		
Agitator Plumbing Assembly . . . . .	3-5		
1/2", 3/4" & 1" Ball Valve Assembly . . . . .	3-7		

© Copyright 1998 All rights Reserved

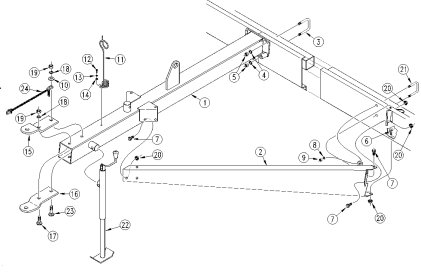
Great Plains Manufacturing, Inc. provides this publication "as is" without warranty of any kind, either expressed or implied. While every precaution has been taken in the preparation of this manual, Great Plains Manufacturing, Inc. assumes no responsibility for errors or omissions. Neither is any liability assumed for damages resulting from the use of the information contained herein. Great Plains Manufacturing, Inc. reserves the right to revise and improve its products as it sees fit. This publication describes the state of this product at the time of its publication, and may not reflect the product in the future. The illustrations in this manual are not intended for safe and proper assembly or disassembly of equipment. The illustrations are intended for ordering parts only.

Great Plains Manufacturing, Incorporated Trademarks

The following are trademarks of Great Plains Mfg., Inc.: Application Systems, Ausherman, Land Pride, Great Plains

All other brands and product names are trademarks or registered trademarks of their respective holders.

Printed in the United States of America.

Section Number & Description	Serial Number Break	Illustration Page	Parts Page
<p>Section 2 Frames  <b>Tongue &amp; Pull Bar (S/N 00000-)</b>                      Great Plains Mfg., Inc.</p> <p><b>Illustration Heading</b></p>  <p><b>Illustration</b></p> <p><b>Illustration Number</b> 10207</p> <p>2-1 EWD13 13' End Wheel Drill 175-083P 5/21/98</p> <p><b>Left Page Number</b></p> <p><b>Manual Name &amp; Number</b></p> <p><b>New or Modification Date</b></p>			<p>Great Plains Mfg., Inc. Section 2 Frames  <b>Tongue &amp; Pull Bar (S/N 00000-)</b></p> <p><b>Parts List</b></p> <ol style="list-style-type: none"> <li>177-001H 13' END WHEEL TONGUE WELDMENT</li> <li>177-004H PULL BAR WELDMENT LH</li> <li>177-005H PULL BAR WELDMENT RH</li> <li>806-032C U-BOLT 5/8-11 X 3 17/32 UNEVEN</li> <li>804-022C WASHER LOCK SPRING 5/8 PLT</li> <li>803-021C NUT HEX 5/8-11 PLT</li> <li>802-183C RHSNB 1/2-13X1 GR5</li> <li>802-083C HFSS 1/2-13X1 1/4 GR8</li> <li>804-015C WASHER LOCK SPRING 1/2 PLT</li> <li>803-020C NUT HEX 1/2-13 PLT</li> <li>177-587D SAFETY CHAIN WASHER</li> <li>807-023C SPRING HOSE LOOP</li> <li>801-028C SCREW HEX 3/8-16X1 TYPE F</li> <li>804-013C WASHER LOCK SPRING 3/8 PLT</li> <li>804-012C WASHER FLAT 3/8 SAE PLT</li> <li>177-009D CLEVIS HITCH TOP HALF</li> <li>177-008D CLEVIS HITCH BOTTOM HALF</li> <li>802-177C RHSNB 3/4-10X2 1/2 GR5</li> <li>804-023C WASHER LOCK SPRING 3/4 PLT</li> <li>803-027C NUT HEX 3/4-10 PLT</li> <li>803-037C NUT HEX WHIZ 1/2-13 PLT</li> <li>806-028C U-BOLT 1/2-13 X 3 17/32 X4 3/4</li> <li>890-118C SCREW JACK 2000#</li> <li>802-289C RHSNB 3/4-10X3 GR5</li> <li>890-182C SAFETY CHAIN 10000 LB</li> </ol> <p>7/1/98 EWD13 13' End Wheel Drill 175-083P 2-2</p> <p><b>Right Page Number</b></p>

## General Information

### Revisions

Please refer to the date at the bottom of each page for the most current version of the equipment. Serial number breaks are at the top of the page at the end of the illustration heading, refer to the illustration above.

### Touch-up Paint and Manual Information

Repaint parts where paint is worn or scratched to prevent rust. Aerosol touch-up paint is available. To order use Great Plains part numbers below:

- GP Green . . . . .821-001C
- GP Black . . . . .821-002C
- GP Beige . . . . .821-003C
- GP Buckskin . . . . .821-004C
- LP Beige . . . . .821-011C
- LP Black . . . . .821-032C

Replacement manuals available. Use Great Plains part 500-052P.

### Replacement Hardware

All bolts and nuts are grade 5 unless otherwise noted. The use of improper grades of hardware can result in personal injury, damage to equipment, or loss of property. See **“Hardware Legend”** on page 1-2, for hardware abbreviations used within all parts lists.

## Hardware Legend

AR	As Required
BLADE	Blade Bolt
C	Cap Screw
CP	Cotter Pin
CPHSSS	Cup Point Hex Socket Set Screw
CPSHSS	Cup Point Square Head Set Screw
CPSQHSS	Cup Point Square Head Set Screw
CRFCHMS	Cross Recess Flat Countersunk Head Mach. Screw
CRPHMS	Cross Recess Pan Head Machine Screw
CRPHTFS	Cross Recess Pan Head Thread Forming
CRRHMS	Cross Recess Round Head Machine Screw
CRTHMS	Cross Recess Truss Head Machine Screw
CSNB	Countersunk Square Neck Bolt
FHMS	Flat Head Machine Screw
FTC	Full Thread Cap Screw
H	Hex Nut
HCLN	Hex Center Lock Nut
HFLCS	Hex Flange Lock Cap Screw
HFS	Hex Flange Screw
HFSLN	Hex Flange Serrated Lock Nut
HFSS	Hex Flange Serrated Screw
HHCS	Hex Head Cap Screw or Metric Bolt
HSBHCS	Hex Socket Button Head Cap Screw
HSFCHCS	Hex Socket Flat Countersunk Head Cap Screw
HSHCS	Hex Socket Head Cap Screw
HSSS	Hex Socket Head Screw
HTLN	Hex Top Lock Nut
HWHCS	Hex Washer Head Cap Screw

HWHMS	Hex Washer Head Machine Screw
HXBHCS	Hex Socket Button Head Cap Screw
J	Hex Jam Nut
JIC	37 Degree Tapered Thread
L	Helical Spring Lock Washer
LUG	Lug Bolt
NFC	National Fine Cap Screw
NPSM	National Pipe Straight Mechanical
NPTF	National Pipe Taper Fuel
P	Wide Plain Washer
PHMS	Pan Head Machine Screw
PLOW	Plow Bolt
RHMS	Round Head Machine Screw
RHSNB	Round Head Square Neck Bolt
SCREW LEVELING	Leveling Screw
SCREW THUMB	Thumb Screw
SCREW WELD	Weld Screw
SFCHMS	Slotted Flat Countersunk Head Machine Screw
SFHMS	Slotted Fillister Head Machine Screw
SP	Special
SP SCREW	Special Screw
SQHSS	Square Head Set Screw
SRHMS	Slotted Round Head Machine Screw
SSS	Socket Set Screw
STCS	Self Tapping Cap Screw
STHMS	Slotted Truss Head Machine Screw
WHEEL	Wheel Studs and Hub Long Bolts
WING	Wing Bolt

## Part Number Service Coding

Within the following parts lists some part numbers are coded for revisions and interchangeability.

### Legend:

Newest serial numbers are listed first.

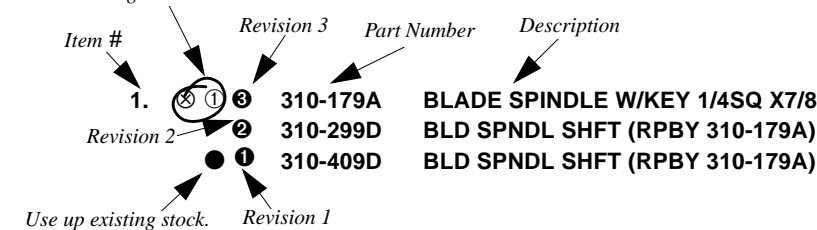
**Bold face type indicates parts that are serviced. These parts are considered interchangeable, if it supersedes another part, unless otherwise noted.**

### Example:

- (S/N 20001+) Includes serial numbers 20001 and above (to the newest numbers)
- (S/N 10001↔20000) Includes serial numbers between and including 10001 and 20000
- (S/N 10000-) Includes serial numbers 10000 and below (to the oldest number)

- ① First revision, e.g.; ② is 2nd revision, ③ is 3rd revision, etc.  
(Greater numbers are the newest.)
- The existing stock for this part should be used up before ordering the new part.
- ⊗ Not interchangeable
- ⊗①② Revision 2 is not interchangeable w/1

Not interchangeable with revision 1



**Part Number Index**

<b>Part Number</b>	<b>Page</b>	<b>Part Number</b>	<b>Page</b>	<b>Part Number</b>	<b>Page</b>	<b>Part Number</b>	<b>Page</b>
502-016H	3-4	508-025H	2-6	800-127C	3-6	803-068C	2-12
502-060D	3-4	508-026H	2-6	800-127C	5-2	803-068C	2-2
502-067D	4-6	508-027H	2-6	800-129C	5-8	803-068C	2-8
502-068D	4-6	508-028H	2-6	800-130C	4-4	803-068C	3-2
503-010H	2-10	508-029H	2-6	800-270C	4-4	803-068C	4-10
503-017S	2-10	508-030H	2-6	801-003C	5-2	803-068C	4-6
503-017S	2-8	508-040H	2-8	801-012C	4-4	803-068C	5-2
503-020D	2-10	508-041H	2-8	801-012C	5-8	803-084C	4-10
503-021D	2-10	508-043D	2-4	801-060C	5-8	803-084C	4-4
503-022D	2-10	508-043H	2-8	801-062C	2-10	803-147C	4-2
507-001D	4-2	508-044D	2-4	801-063C	2-12	803-148C	4-2
507-003D	4-10	508-053H	2-12	801-071C	5-10	803-187C	3-12
507-004D	4-4	508-054H	2-8	801-072C	4-8	803-190C	2-10
507-005D	4-10	508-055H	2-12	801-077C	2-12	803-192C	2-12
507-006D	4-2	508-055H	2-8	801-077C	2-8	803-193C	2-2
507-007D	4-2	508-058H	2-8	802-004C	5-2	803-193C	2-4
507-010L	4-2	508-059D	2-6	802-007C	5-10	803-193C	2-6
507-011D	3-6	508-060D	2-6	802-009C	4-6	803-193C	4-6
507-011L	4-2	508-074D	2-8	802-017C	2-8	803-194C	5-2
507-012L	4-2	508-075D	2-8	802-017C	3-2	803-194C	5-4
507-013D	4-2	508-083D	2-12	802-017C	5-4	803-194C	5-8
507-013L	4-6	508-083D	2-8	802-047C	4-6	803-196C	2-2
507-014D	5-10	508-084D	2-12	802-055C	2-2	803-196C	2-4
507-016K	4-8	508-084D	2-8	802-055C	2-4	803-196C	2-6
507-017V	3-12	508-098D	3-6	802-055C	2-6	803-198C	2-12
507-018V	3-12	508-990H	3-2	802-062C	2-2	803-198C	2-8
507-018V	3-4	508-991H	2-8	802-062C	2-6	803-198C	5-4
507-018V	5-4	508-992H	2-8	802-078C	5-4	803-199C	4-6
507-023V	4-10	508-995D	3-2	802-079C	2-2	803-199C	5-4
507-023V	4-4	508-997D	4-6	802-079C	2-8	803-214C	2-2
507-024S	4-4	508-998D	4-6	802-079C	4-10	803-214C	2-4
507-025V	4-4	508-998H	2-8	802-079C	4-6	803-214C	2-6
507-027S	4-4	508-999D	2-8	802-082C	2-2	804-006C	4-4
507-028V	4-4	509-110D	5-4	802-082C	2-4	804-007C	5-4
507-029S	4-10	509-111D	5-4	802-082C	2-6	804-009C	4-2
507-030K	3-6	509-112D	5-4	802-088C	2-4	804-009C	5-10
507-032S	5-10	509-113D	5-4	802-088C	2-6	804-012C	2-8
507-034V	5-10	509-124D	5-2	802-109C	2-6	804-012C	3-2
507-035S	5-10	509-544H	5-2	802-114C	2-12	804-016C	2-2
507-039D	5-10	509-545H	5-2	802-114C	2-8	804-019C	2-2
507-040A	3-4	509-547D	5-4	802-116C	2-2	804-019C	2-4
507-040D	5-10	510-001D	5-8	802-119C	4-4	804-019C	2-6
507-044D	4-2	510-002D	5-8	802-128C	2-2	804-036C	4-10
507-045D	4-2	510-002K	5-8	802-147C	5-2	804-036C	4-2
507-090V	4-4	510-003D	5-8	802-159C	4-2	804-036C	4-4
507-091V	4-2	510-003V	5-8	802-172C	4-10	804-036C	4-8
507-101V	4-4	510-004V	5-8	802-172C	4-4	804-036C	5-10
507-102V	4-4	510-005V	5-8	802-172C	4-8	804-046C	5-2
507-515D	4-4	510-006D	5-8	802-256C	4-4	804-054C	5-2
507-516D	4-4	510-006V	5-8	802-279C	4-10	804-087C	2-12
507-523V	4-4	510-007V	5-4	802-364C	4-10	804-087C	2-8
508-007H	2-2	510-514V	5-8	802-364C	4-4	804-089C	4-10
508-008H	2-2	800-021C	4-4	802-365C	4-2	804-089C	4-4
508-009H	2-2	800-028C	4-10	802-390C	4-10	804-089C	4-4
508-010H	2-2	800-028C	4-4	802-390C	4-4	804-090C	4-4
508-013H	2-2	800-038C	4-4	802-391C	2-2	806-062C	2-4
508-013H	2-4	800-082C	3-4	802-392C	2-2	806-062C	2-6
508-013H	2-6	800-082C	4-2	802-392C	2-4	806-096C	5-4
508-015H	2-4	800-083C	4-10	802-392C	2-6	808-137C	4-4
508-016H	2-4	800-122C	4-4	802-393C	4-2	808-138C	4-4
508-017H	2-4	800-123C	3-4	802-394C	4-2	810-183C	4-8
508-018H	2-4	800-123C	3-6	802-396C	2-12	811-384C	4-6
508-019H	2-4	800-123C	4-2	802-396C	2-8	811-389C	4-6
508-019H	2-6	800-123C	4-6	802-404C	3-12	811-394C	4-6
508-020D	2-2	800-123C	5-4	802-405C	3-12	816-143C	4-10
508-021D	2-2	800-125C	3-4	802-405C	5-4	816-143C	4-4
508-021D	2-4	800-125C	4-2	802-455C	2-4	816-144C	5-10
508-021D	2-6	800-125C	4-6	803-003C	2-10	816-145C	4-10
508-024D	2-2	800-126C	3-6	803-006C	4-4	816-145C	4-4
		800-126C	5-10	803-008C	4-2	816-146C	4-4

**Part Number Index**

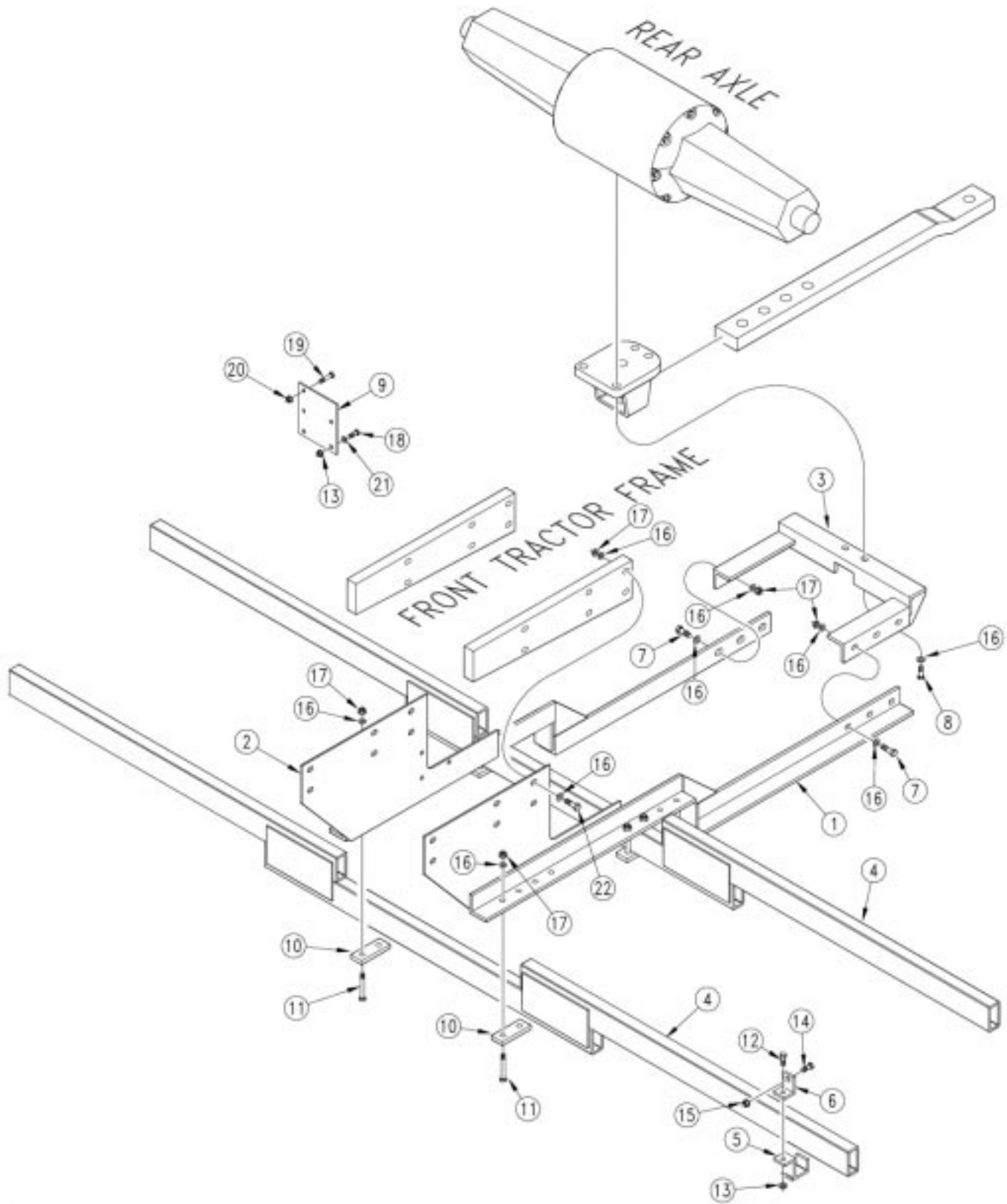
<u>Part Number</u>	<u>Page</u>	<u>Part Number</u>	<u>Page</u>	<u>Part Number</u>	<u>Page</u>	<u>Part Number</u>	<u>Page</u>
816-147C	2-10	830-084C	5-2	990-085R	2-8		
816-148C	3-12	830-086C	3-6	990-085R	6-2		
816-163C	2-12	830-087C	3-6	990-158R	5-8		
816-169C	4-2	830-087C	4-2	990-159R	5-8		
817-099C	4-10	830-087C	4-6	CP14804-1-I	5-6		
817-099C	4-4	830-087C	5-4	CP14811-SS	5-6		
817-100C	4-10	830-094C	3-4	CP14813-1-IENP	5-6		
817-100C	4-4	830-104C	3-4	CP14927-I	5-6		
817-107C	3-12	830-104C	3-6	CP14933-SS	5-6		
817-108C	3-12	830-104C	4-2	CP15162-SS	5-6		
817-122C	4-10	830-106C	4-2	CP15163-NYB	5-6		
817-122C	4-4	830-111C	5-10	CP15166-I	5-6		
818-229C	6-2	830-120C	3-6	CP15168-IENP	5-6		
818-298C	4-4	830-120C	5-2	CP15169-SS	5-6		
818-304C	6-2	830-121C	5-2	CP21672-1-PPB	5-6		
818-307C	6-2	830-123C	5-2	CP21673-SS	5-6		
818-311C	6-2	830-123C	5-4	CP21674-SS	5-6		
818-323C	6-2	830-124C	5-2	CP25678-SS	5-6		
818-324C	6-2	830-127C	3-4	CP38072-IENP	5-6		
818-326C	5-8	830-127C	4-10	CP38073-IENP	5-6		
818-326C	6-2	830-127C	4-4	CP38075-NYB	5-6		
818-341C	6-2	830-127C	5-4	K29005E	4-8		
818-344C	5-10	830-131C	4-2	V-07153	3-8		
818-344C	6-2	830-131C	4-6	V-20153	3-10		
818-349C	6-2	830-133C	3-4				
818-367C	6-2	830-133C	3-4				
822-111C	4-4	830-137C	5-4				
822-112C	4-10	830-141C	5-4				
822-112C	4-4	830-145C	3-4				
823-061C	5-8	830-145C	5-4				
823-062C	5-8	830-149C	3-4				
823-063C	5-8	830-160C	3-4				
823-065C	5-8	830-161C	5-4				
823-066C	5-8	830-167C	3-4				
823-067C	5-8	830-168C	3-4				
823-068C	5-8	830-176C	3-4				
823-069C	5-8	830-177C	3-4				
823-070C	5-8	830-185C	3-4				
823-071C	5-8	830-186C	3-4				
829-002C	5-2	830-190C	5-10				
829-003C	5-2	830-192C	5-10				
829-007C	5-10	830-205C	3-6				
829-008C	5-4	830-209C	3-6				
829-009C	3-6	831-001C	4-4				
829-009C	3-8	831-017C	4-4				
829-010C	3-8	833-101C	5-8				
829-010C	5-4	890-006C	2-12				
829-011C	3-8	890-236C	2-12				
829-011C	5-4	890-247C	3-12				
829-012C	3-10	890-248C	3-12				
829-013C	3-10	890-253C	4-4				
829-013C	3-4	890-260C	5-10				
829-015C	5-10	890-261C	5-10				
829-025C	5-6	890-263C	5-10				
830-015C	3-4	890-265C	4-8				
830-019C	4-10	890-267C	4-8				
830-019C	4-4	990-001R	3-4				
830-024C	3-4	990-001R	4-2				
830-028C	5-2	990-079R	3-4				
830-029C	3-6	990-079R	4-2				
830-029C	5-4	990-079R	4-6				
830-031C	3-4	990-080R	3-6				
830-042C	5-2	990-080R	5-10				
830-042C	5-4	990-081R	3-6				
830-043C	5-4	990-081R	5-2				
830-045C	3-4	990-082R	3-4				
830-049C	5-4	990-082R	3-6				
830-052C	3-4	990-082R	4-2				
830-071C	5-10	990-082R	4-6				
830-080C	5-2	990-082R	5-4				

---

## Part Number Index

<u>Part Number</u>	<u>Page</u>	<u>Part Number</u>	<u>Page</u>	<u>Part Number</u>	<u>Page</u>	<u>Part Number</u>	<u>Page</u>
--------------------	-------------	--------------------	-------------	--------------------	-------------	--------------------	-------------

Case/IH Magnum 7110-7150



12378

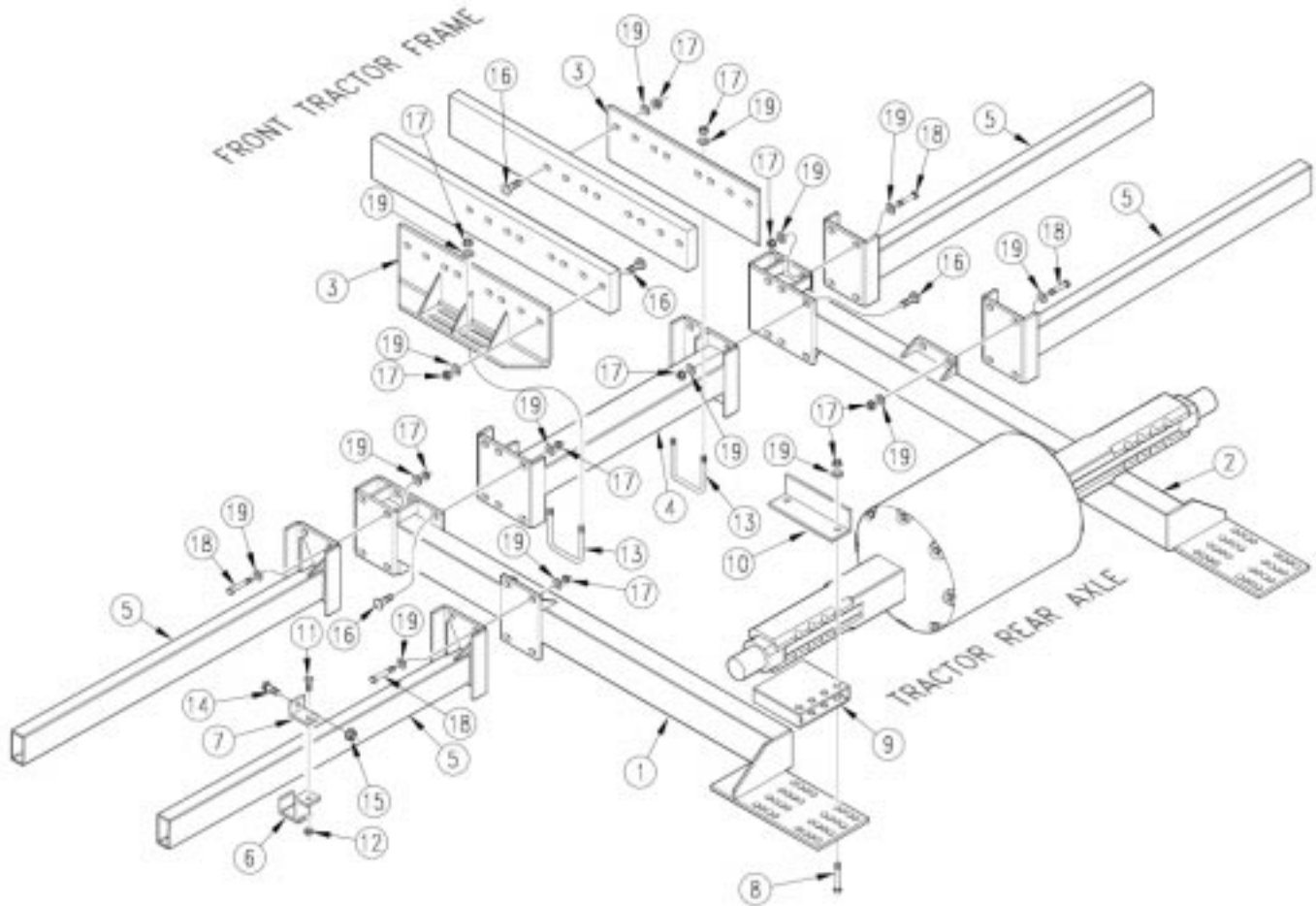


**Case/IH Magnum 7110-7150**

Ref.	Part No.	Part Description	Comments
1.	508-007H	SIDE PLATE WELD LEFT	
2.	508-008H	SIDE PLATE WELD RIGHT	
3.	508-009H	REAR BRKT WELD	
4.	508-010H	STEP RAIL WELD	
5.	508-013H	ANGLE WELD	
6.	508-021D	ANGLE 1	
7.	802-055C	HHCS 5/8-11X2 GR5	
8.	802-391C	HHCS M16X2.0X75 GR8.8	
9.	508-020D	RADAR ADAPTER PLATE	
10.	508-024D	RAIL ANGLE BACKUP	
11.	802-116C	HHCS 5/8-11X6 GR5	
12.	802-082C	HHCS 1/2-13X1 3/4 GR5	
13.	803-193C	NUT HEX FLANGE 1/2-13 GR G PLT	
14.	802-392C	HHCS 3/4-10X1 3/4 GR5	
15.	803-214C	NUT HEX FLANGE 3/4-10 PLT	
16.	804-019C	WASHER FLAT 5/8 USS PLT	
17.	803-196C	NUT HEX FLANGE 5/8-11 PLT	
18.	802-128C	HHCS 1/2-13X2 GR5	
19.	802-079C	HHCS 3/8-16X1 1/4 GR5	
20.	803-068C	NUT HEX FLANGE 3/8-16 PLT	
21.	804-016C	WASHER FLAT 1/2 SAE PLT	
22.	802-062C	HHCS 5/8-11X5 GR5	

**Legend:** ● = 1st revision; ● = 2nd revision; ● = 3rd revision; ● = use up existing stock; ⊗ = not interchangeable; ⊗ ⊕ ● = for example: revision 2 is not interchangeable w/revision 1

*John Deere 4240-4455 High Mount Assembly*



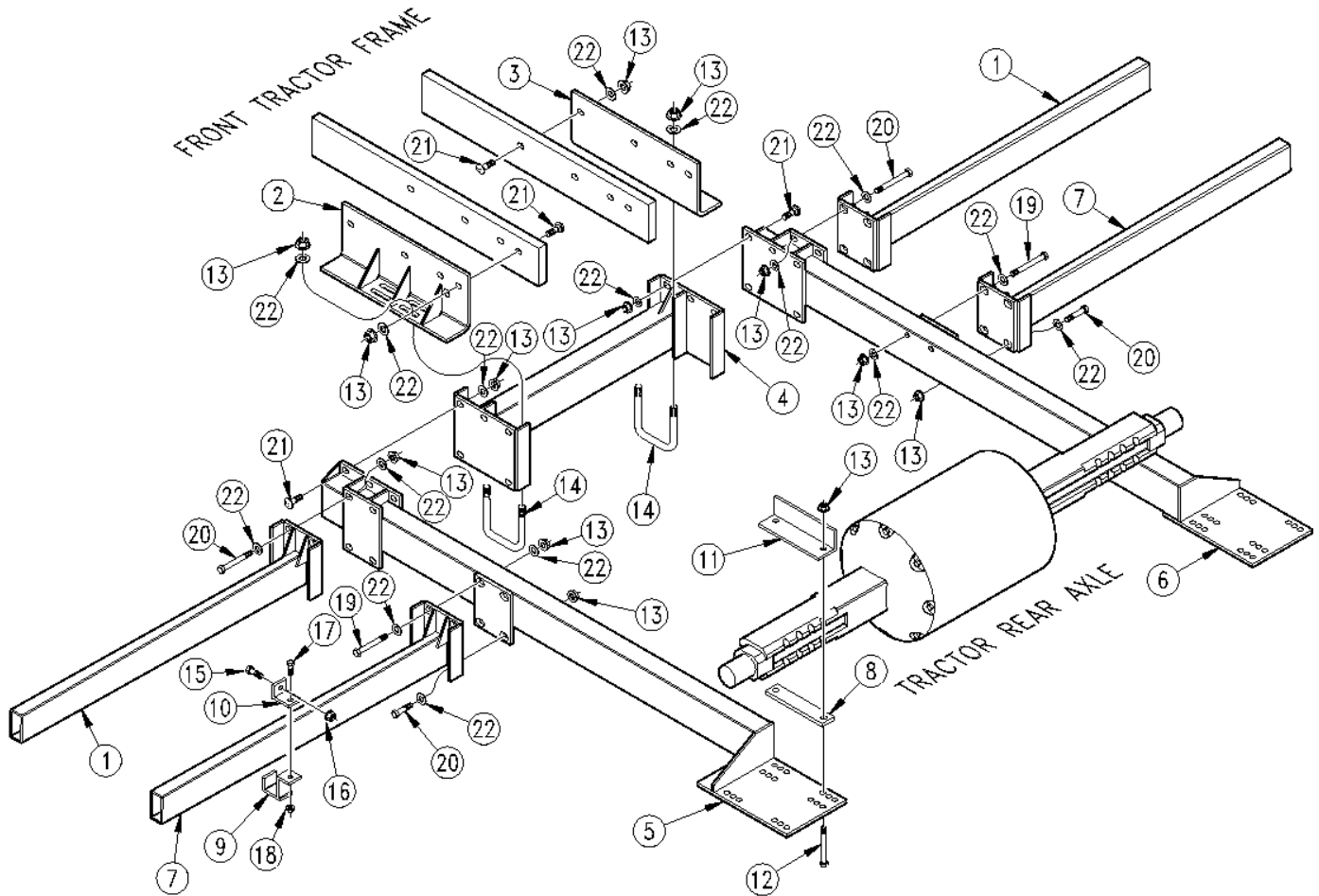
12376

**John Deere 4240-4455 High Mount Assembly**

Ref.	Part No.	Part Description	Comments
1.	508-015H	LEFT SUBFRAME WELD	
2.	508-016H	RIGHT SUBFRAME WELD	
3.	508-017H	RAIL ANGLE WELD	
4.	508-018H	SPREADER WELD	
5.	508-019H	RAIL WELD JD 42 & 48	
6.	508-013H	ANGLE WELD	
7.	508-021D	ANGLE 1	
8.	802-455C	HHCS 5/8-11X11 1/2 GR5	
9.	508-043D	SPACER	
10.	508-044D	ANGLE BACKUP	
11.	802-082C	HHCS 1/2-13X1 3/4 GR5	
12.	803-193C	NUT HEX FLANGE 1/2-13 GR G PLT	
13.	806-062C	U-BOLT 5/8-11 X 4 1/32 X 5 3/4	
14.	802-392C	HHCS 3/4-10X1 3/4 GR5	
15.	803-214C	NUT HEX FLANGE 3/4-10 PLT	
16.	802-088C	RHSNB 5/8-11X2 GR5	
17.	803-196C	NUT HEX FLANGE 5/8-11 PLT	
18.	802-055C	HHCS 5/8-11X2 GR5	
19.	804-019C	WASHER FLAT 5/8 USS PLT	

**Legend:** ● = 1st revision; ● = 2nd revision; ● = 3rd revision; ● = use up existing stock; ⊗ = not interchangeable; ⊗ ① ● = for example: revision 2 is not interchangeable w/revision 1

John Deere 4630-4960 High Mount Assembly



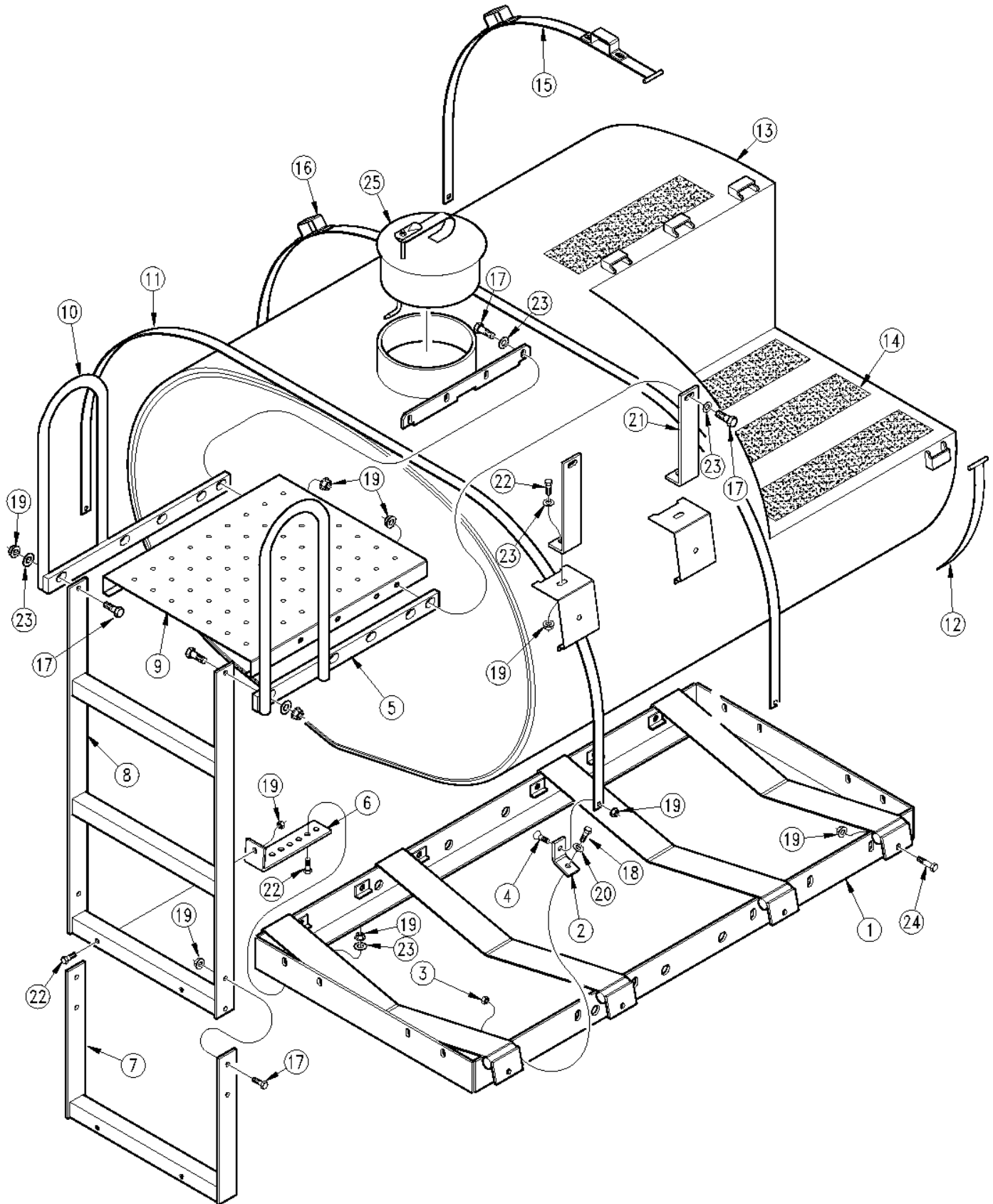
12377

**John Deere 4630-4960 High Mount Assembly**

Ref.	Part No.	Part Description	Comments
1.	508-019H	RAIL WELD JD 42 & 48	
2.	508-025H	LEFT ANGLE WELD	
3.	508-026H	RIGHT ANGLE WELD	
4.	508-027H	CROSS TUBE WELD	
5.	508-028H	LEFT SUBFRAME WELD	
6.	508-029H	RIGHT SUBFRAME WELD	
7.	508-030H	RAIL WELD JD 48	
8.	508-059D	AXLE SPACER	
9.	508-013H	ANGLE WELD	
10.	508-021D	ANGLE 1	
11.	508-060D	BACK-UP ANGLE	
12.	802-109C	HHCS 5/8-11X10 GR5	
13.	803-196C	NUT HEX FLANGE 5/8-11 PLT	
14.	806-062C	U-BOLT 5/8-11 X 4 1/32 X 5 3/4	
15.	802-392C	HHCS 3/4-10X1 3/4 GR5	
16.	803-214C	NUT HEX FLANGE 3/4-10 PLT	
17.	802-082C	HHCS 1/2-13X1 3/4 GR5	
18.	803-193C	NUT HEX FLANGE 1/2-13 GR G PLT	
19.	802-062C	HHCS 5/8-11X5 GR5	
20.	802-055C	HHCS 5/8-11X2 GR5	
21.	802-088C	RHSNB 5/8-11X2 GR5	
22.	804-019C	WASHER FLAT 5/8 USS PLT	

**Legend:** ● = 1st revision; ● = 2nd revision; ● = 3rd revision; ● = use up existing stock; ⊗ = not interchangeable; ⊗ ① ● = for example: revision 2 is not interchangeable w/revision 1

Left Hand Tank Assembly



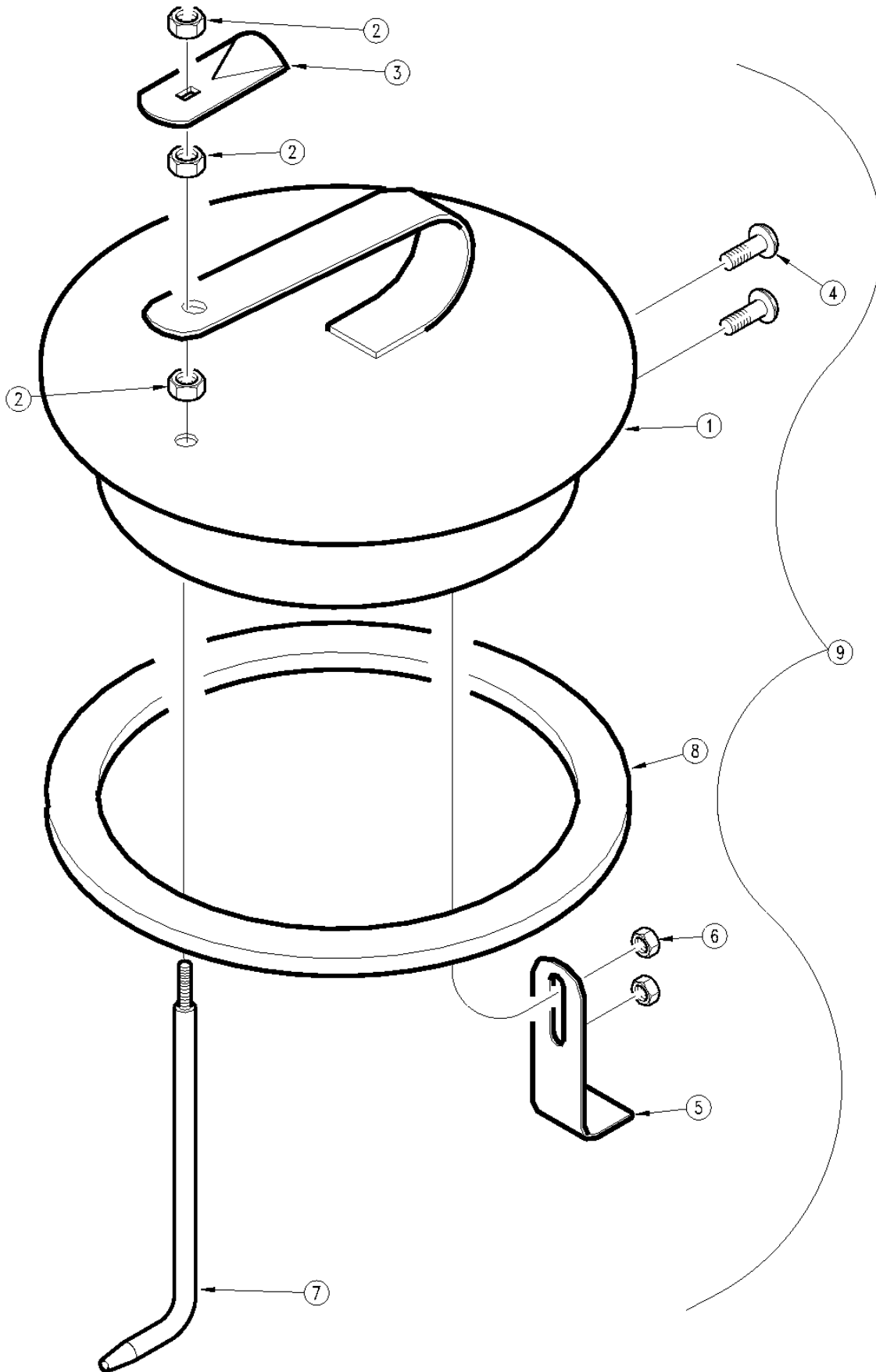
12203

**Left Hand Tank Assembly**

Ref.	Part No.	Part Description	Comments
1.	508-055H	250 GAL SADDLE WELDMENT	
2.	508-084D	BENT BAR	
3.	803-198C	NUT HEX WHIZ 3/8-16 PLT	
4.	801-077C	HSFCHCS 3/8-16X1 1/4GR8 NYLOCK	
5.	508-998H	HANDRAIL WELDMENT RIGHT	
6.	508-075D	LADDER ADJUSTMENT BAR	
7.	508-043H	LOWER STEP WELDMENT	
8.	508-041H	LADDER WELDMENT	
9.	508-999D	WALKBOARD 250 GAL TANK	
10.	508-040H	HANDRAIL WELDMENT LEFT	
11.	508-083D	STRAP	
12.	508-058H	DEEP NOTCH BAND WELDMENT	
13.	508-054H	250 GAL SS NOTCH TANK WELDMENT	
14.	990-085R	3M CONFORM. ANTI-SLIP 4" WIDE	
15.	508-991H	TM SHORT BAND WELDMENT	
16.	508-992H	TM LONG BAND WELDMENT	
17.	802-079C	HHCS 3/8-16X1 1/4 GR5	
18.	802-396C	HHCS 3/8-16X3 3/4 GR5 FTGD	
19.	803-068C	NUT HEX FLANGE 3/8-16 PLT	
20.	804-087C	WASHER FLAT 3/8 HARD ASTM436	
21.	508-074D	WALKBOARD SUPPORT	
22.	802-017C	HHCS 3/8-16X1 GR5	
23.	804-012C	WASHER FLAT 3/8 SAE PLT	
24.	802-114C	HHCS 3/8-16X2 1/2 GR5	
25.	503-017S	LID ASSY	Refer to page 2-9 for breakdown.

**Legend:** ● = 1st revision; ● = 2nd revision; ● = 3rd revision; ● = use up existing stock; ⊗ = not interchangeable; ⊗ ① ● = for example: revision 2 is not interchangeable w/revision 1

*Stainless Steel Tank Lid Assembly*



11450



**Stainless Steel Tank Lid Assembly**

Ref.	Part No.	Part Description	Comments
1.	503-010H	LID WELDMENT	
2.	803-190C	NUT HEX NYLOCK 5/16-18 SS	
3.	503-020D	LID THUMB LATCH	
4.	801-062C	SCREW PAN HD 1/4-20 X 5/8 SS	
5.	503-021D	LID SLIDE	
6.	803-003C	NUT HEX SS 1/4-20 NYLOCK	
7.	503-022D	LID L-SHAFT	
8.	816-147C	GASKET - LID SS TANK	
9.	503-017S	LID ASSY	Includes items 1 thru 8.

**Legend:** ① = 1st revision; ② = 2nd revision; ③ = 3rd revision; ● = use up existing stock; ⊗ = not interchangeable; ⊗ ① ② = for example: revision 2 is not interchangeable w/revision 1

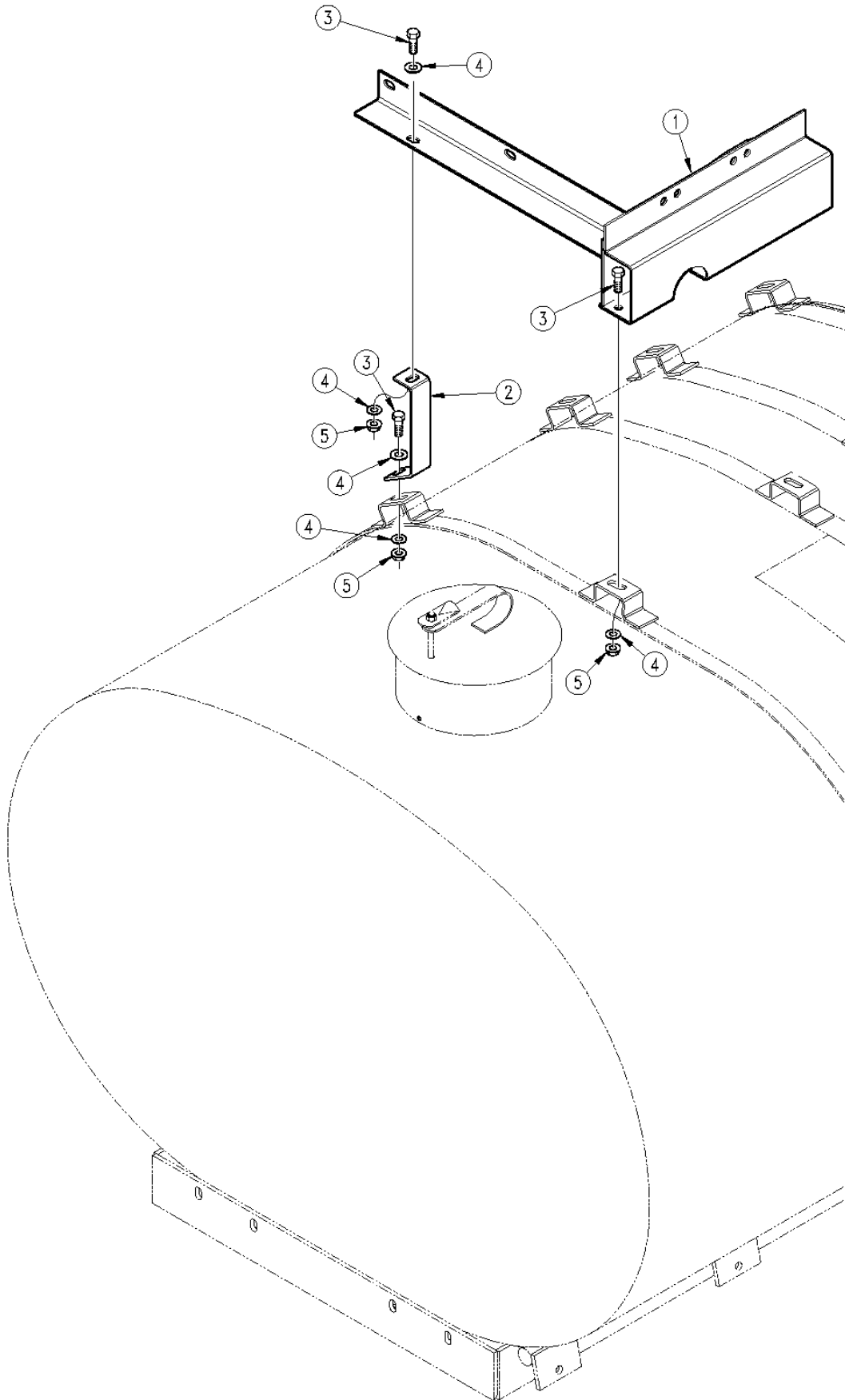
*Right Hand Tank Assembly*

**Right Hand Tank Assembly**

Ref.	Part No.	Part Description	Comments
1.	803-192C	NUT HEX 5/16-18 SOLID NYLON	
2.	508-055H	250 GAL SADDLE WELDMENT	
3.	508-084D	BENT BAR	
4.	803-198C	NUT HEX WHIZ 3/8-16 PLT	
5.	508-083D	STRAP	
6.	801-063C	SCR FIL HD 5/16-18 X 1 1/4 SS	
7.	890-006C	250GAL MAGNETIC GAUGE W/SCREWS	
8.	890-236C	ARM & GEAR FLOAT GAUGE	
9.	816-163C	GASKET - FLOAT GAUGE	
10.	508-053H	250 GAL SS TANK WELDMENT	
11.	801-077C	HSFCHCS 3/8-16X1 1/4GR8 NYLOCK	
12.	802-114C	HHCS 3/8-16X2 1/2 GR5	
13.	802-396C	HHCS 3/8-16X3 3/4 GR5 FTTHD	
14.	803-068C	NUT HEX FLANGE 3/8-16 PLT	
15.	804-087C	WASHER FLAT 3/8 HARD ASTMF436	

**Legend:** ● = 1st revision; ● = 2nd revision; ● = 3rd revision; ● = use up existing stock; ⊗ = not interchangeable; ⊗ ① ● = for example: revision 2 is not interchangeable w/revision 1

*Plumbing Controls Bracket Assembly*



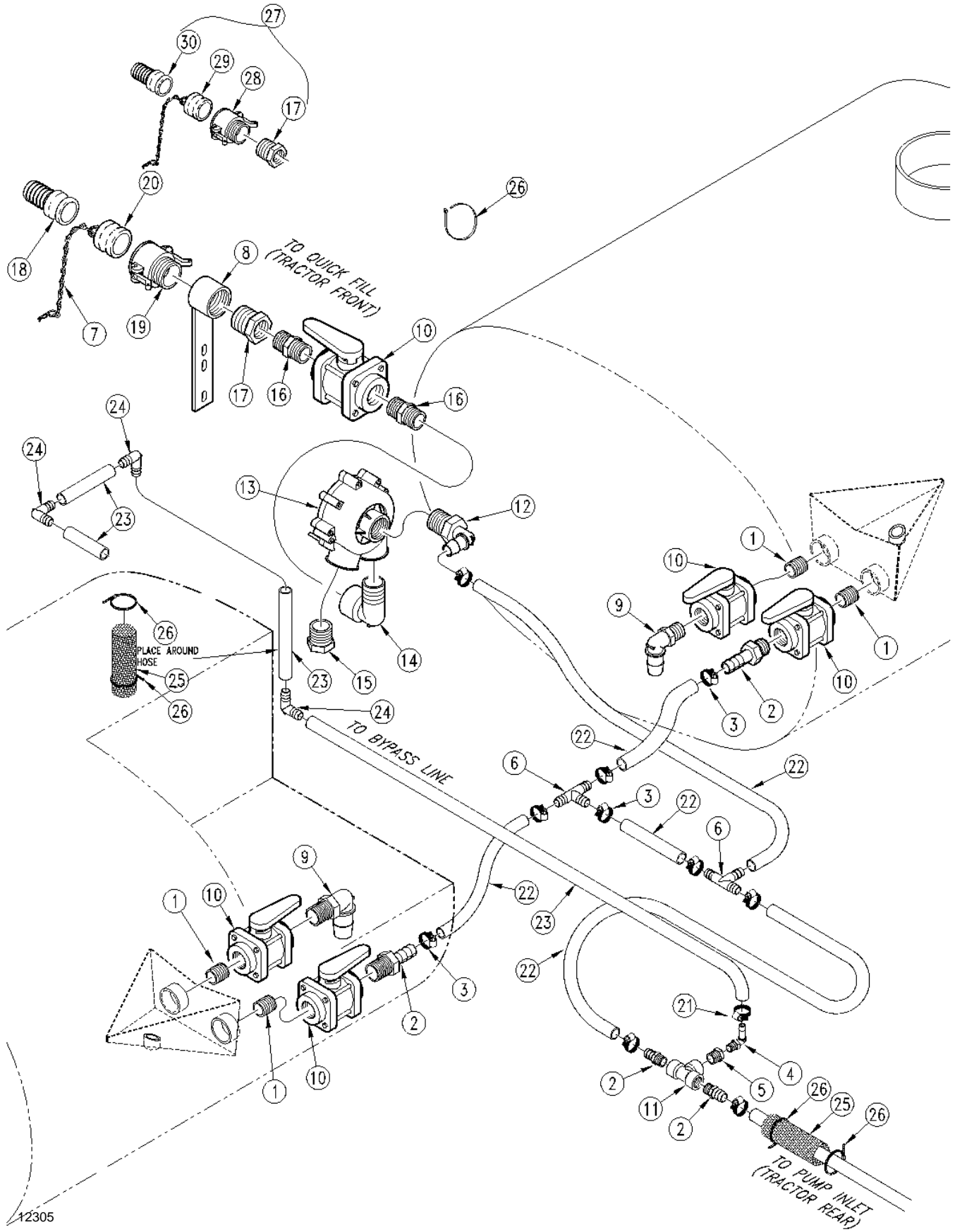
11969

**Plumbing Controls Bracket Assembly**

Ref.	Part No.	Part Description	Comments
1.	508-990H	TM SOLENOID & FILTER SUPPORT	
2.	508-995D	TM SUPPORT MANUAL VALVE&FILTER	
3.	802-017C	HHCS 3/8-16X1 GR5	
4.	804-012C	WASHER FLAT 3/8 SAE PLT	
5.	803-068C	NUT HEX FLANGE 3/8-16 PLT	

**Legend:** ● = 1st revision; ● = 2nd revision; ● = 3rd revision; ● = use up existing stock; ⊗ = not interchangeable; ⊗ ① ● = for example: revision 2 is not interchangeable w/revision 1

Plumbing Assembly



12305

**Plumbing Assembly**

Ref.	Part No.	Part Description	Comments
1.	830-160C	AD 1 1/2MNPT SS	
2.	830-094C	AD 1 1/2MNPT X 1 1/2HB POLYP	
3.	800-125C	CLAMP WRM DRV#28 SS(1.31-2.25)	
4.	830-127C	EL 1MNPT X 1HB POLYPROP	
5.	830-145C	AD 1 1/2MNPT X 1FNPT POLYPROP	
6.	830-015C	TEE 1 1/2HB POLYPROP	
7.	502-060D	DUST PLUG CHAIN 10	
8.	502-016H	ARM - COUPLER WELDMENT	
9.	830-133C	EL 1 1/2MNPT X 1 1/2HB POLYP	
10.	829-013C	VALVE 1 1/2FNPT BALL POLYPROP	Refer to page 3-9 for breakdown.
11.	830-031C	TEE 1 1/2FNPT POLYPROP	
12.	830-133C	EL 1 1/2MNPT X 1 1/2HB POLYP	
13.	507-018V	WHIRLFILTER ASSY 1.25 SCREEN	Refer to page 3-11 for breakdown.
14.	830-052C	EL 1 1/2MNPT X 1 1/2FNPT POLYP	
15.	830-024C	PL 1 1/2MNPT POLYPROP	
16.	830-045C	AD 1 1/2MNPT POLYPROP	
17.	830-149C	AD 2MNPT X 1 1/2FNPT POLYPROP	
18.	830-177C	AD 2HB X 2MCL POLY-GLASS	
19.	830-168C	AD 2MNPT X 2FCL POLY-GLASS	
20.	830-186C	PL 2MCL POLY-GLASS	
21.	800-123C	CLAMP WRM DRV #16 SS (.68-1.5)	
22.	990-079R	HOSE 1 1/2ID EPDM SUCTION HOSE	
23.	990-082R	HOSE 1 ID 200PSI EPDM	
24.	830-104C	EL 1HB POLYPROP	
25.	990-001R	2" ANTI-ABRASION SHEATHING	
26.	800-082C	CABLE TIE .31X21.5 6DIA 120LB	
27.	507-040A	CAM-LOCK COUPLER - 1 1/2 ASSY	Includes items 17, 29 & 31.
28.	830-167C	AD 1 1/2MNPT X 1 1/2FCL POLYG	
29.	830-185C	PL 1 1/2MCL POLY-GLASS	
30.	830-176C	AD 1 1/2HB X 1 1/2MCL POLYG	

**Legend:** ● = 1st revision; ● = 2nd revision; ● = 3rd revision; ● = use up existing stock; ⊗ = not interchangeable; ⊗ ① ● = for example: revision 2 is not interchangeable w/revision 1



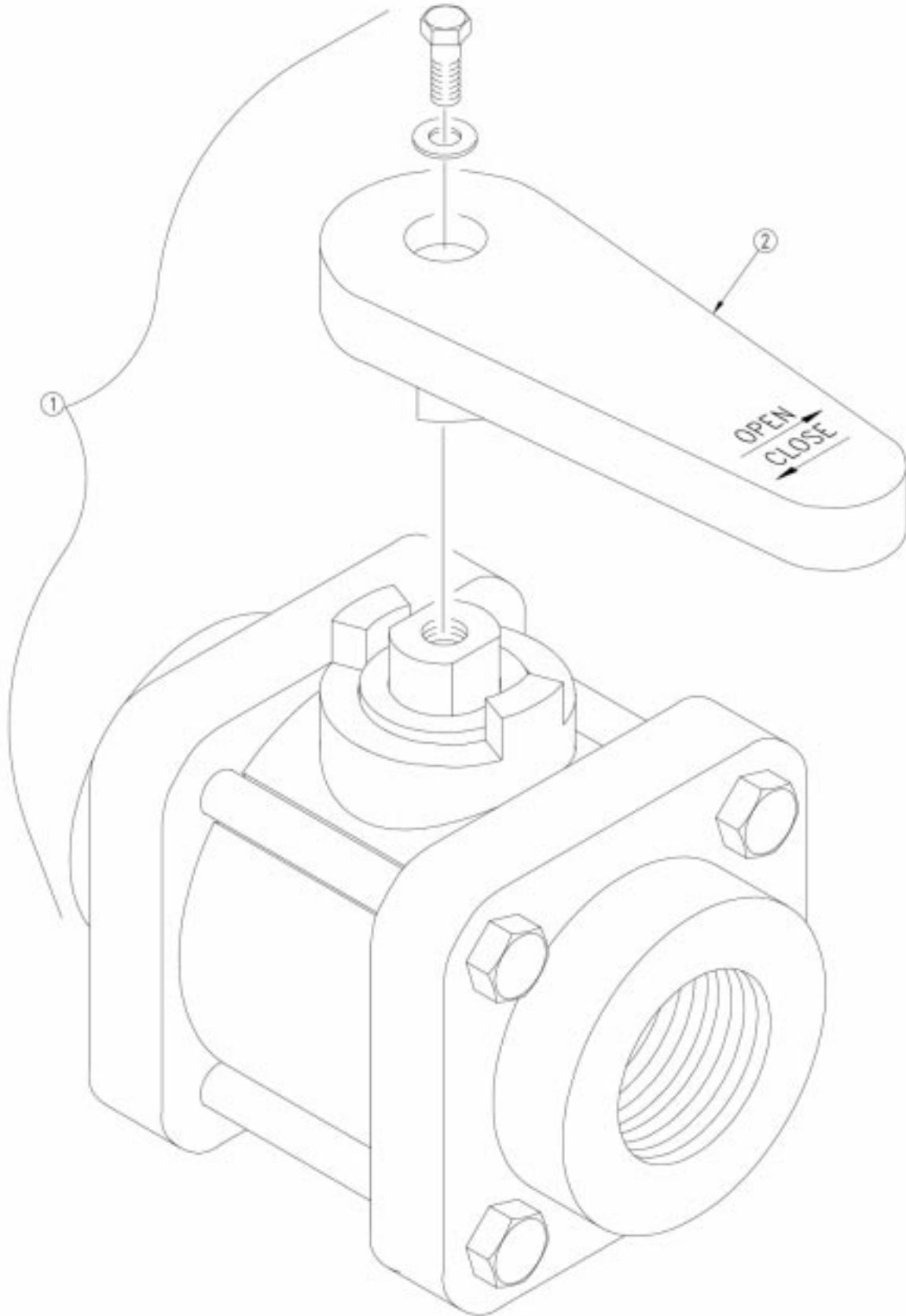


**Agitator Plumbing Assembly**

Ref.	Part No.	Part Description	Comments
1.	508-098D	AGITATOR HEAD 5/32 HOLES	
2.	830-209C	AD 1/4MNPT SCH 40 X 4 304SS	
3.	507-011D	AGITATOR ELBOW 303SS	
4.	830-205C	AD 1/2MNPT X 1 1/2 SS	
5.	829-009C	VALVE - 1/2FNPT BALL POLYPROP	Refer to page 3-7 for breakdown.
6.	830-120C	EL 1/2MNPT X 3/4HB POLYPROP	
7.	800-123C	CLAMP WRM DRV #16 SS (.68-1.5)	
8.	990-081R	HOSE 3/4 ID 200PSI EPDM	
9.	830-029C	TEE 1FNPT POLYPROP	
10.	830-086C	AD 1MNPT X 3/4HB POLYPROP	
11.	830-087C	AD 1MNPT X 1HB POLYPROP	
12.	990-082R	HOSE 1 ID 200PSI EPDM	
13.	830-104C	EL 1HB POLYPROP	
14.	990-080R	HOSE 3/8 ID 150PSI EPDM	
15.	800-126C	CLAMP WRM DRV #5 SS (.44-.70)	
16.	507-030K	MAGNET MOUNT 3 1/2 GAUGE ASSY	Refer to page 5-9 for breakdown.
17.	800-127C	CLAMP WRM DRV #12 SS(.56-1.25)	

**Legend:** ● = 1st revision; ● = 2nd revision; ● = 3rd revision; ● = use up existing stock; ⊗ = not interchangeable; ⊗ ① ● = for example: revision 2 is not interchangeable w/revision 1

1/2", 3/4" & 1" Ball Valve Assembly



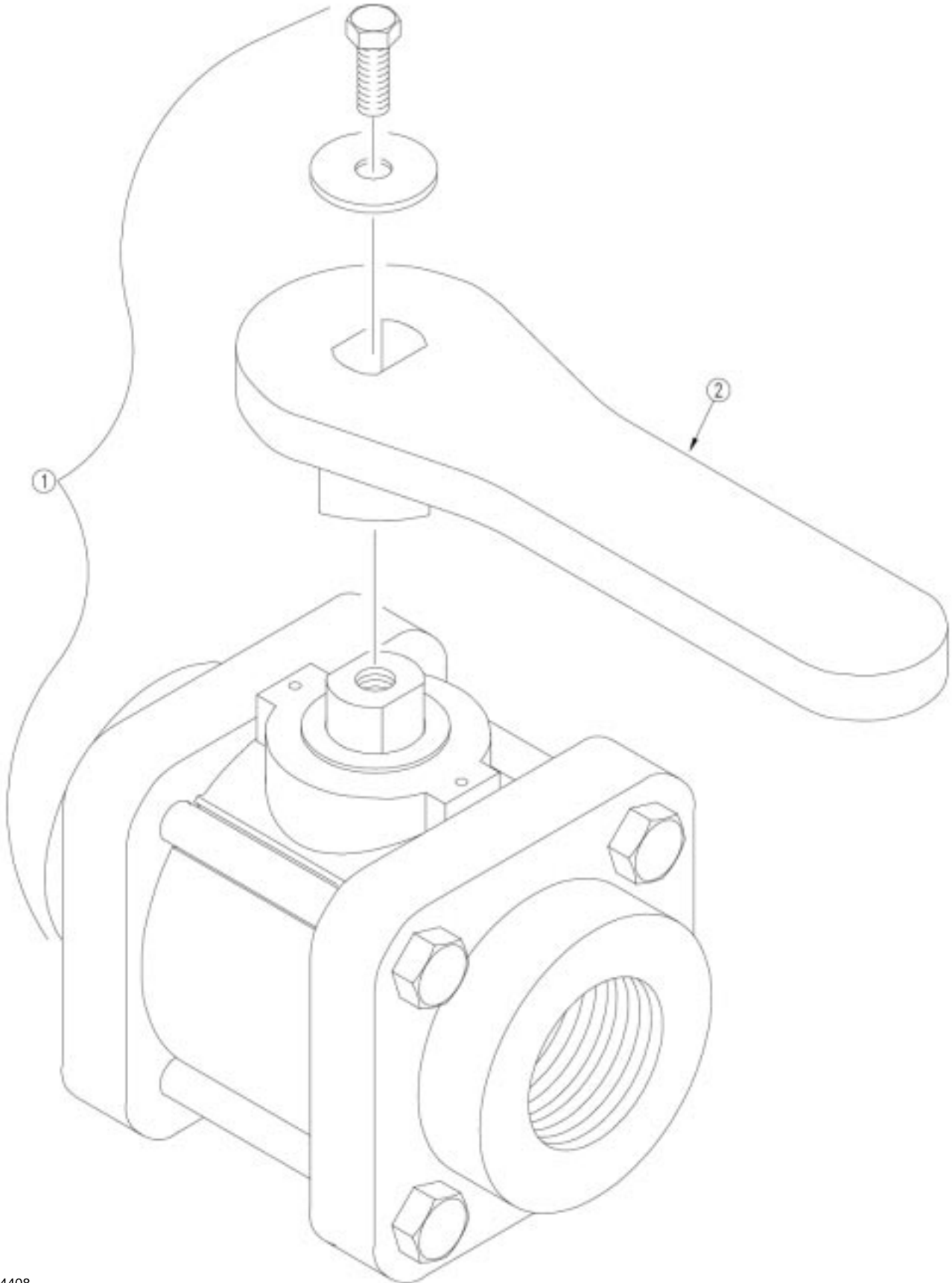
14407

**1/2", 3/4" & 1" Ball Valve Assembly**

Ref.	Part No.	Part Description	Comments
1.	829-009C	VALVE - 1/2FNPT BALL POLYPROP	
	829-010C	VALVE - 3/4FNPT BALL POLYPROP	
	829-011C	VALVE - 1"FNPT BALL POLYPROP	
2.	V-07153	BANJO VALVE HANDLE 1/2"-1"	

**Legend:** ● = 1st revision; ● = 2nd revision; ● = 3rd revision; ● = use up existing stock; ⊗ = not interchangeable; ⊗ ① ● = for example: revision 2 is not interchangeable w/revision 1

1 1/2" Ball Valve Assembly



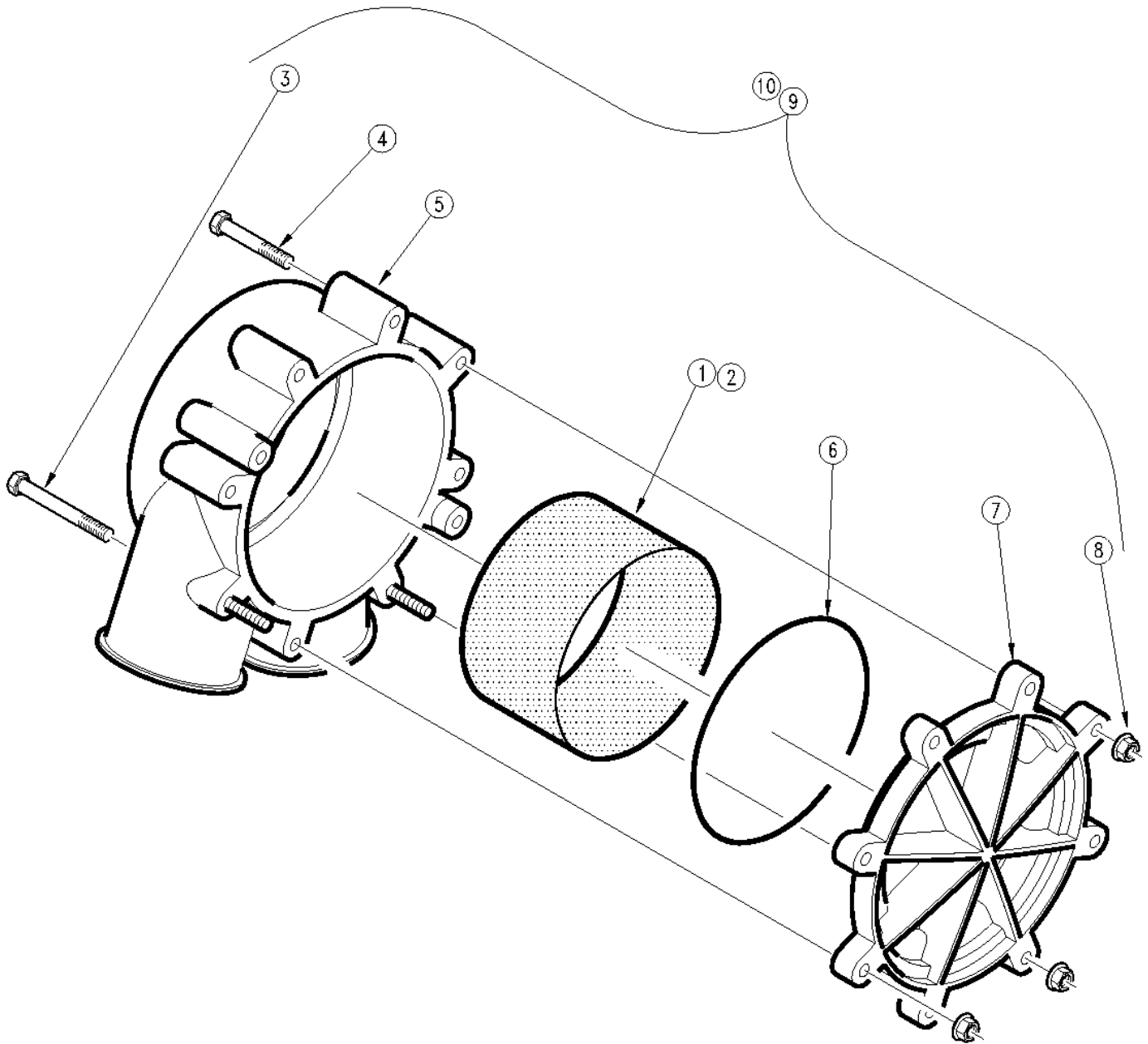
14408

**1 1/2" Ball Valve Assembly**

Ref.	Part No.	Part Description	Comments
1.	829-012C	VALVE 1 1/4FNPT BALL POLYPROP	
	829-013C	VALVE 1 1/2FNPT BALL POLYPROP	
2.	V-20153	BANJO VALVE HANDLE 1.25"-1.5"	

**Legend:** ● = 1st revision; ● = 2nd revision; ● = 3rd revision; ● = use up existing stock; ⊗ = not interchangeable; ⊗ ① ● = for example: revision 2 is not interchangeable w/revision 1

**Whirlfilter® Assembly**



11471

**Whirlfilter® Assembly**

Ref.	Part No.	Part Description	Comments
1.	890-248C	SCREEN 1.25 WHIRLFILTER	
2.	890-247C	SCREEN 50 MESH WHIRLFILTER	
3.	802-404C	HHCS 1/4-20X3 18-8 SS	
4.	802-405C	HHCS 1/4-20X2 1/4 18-8 SS	
5.	817-107C	HOUSING - WHIRLFILTER POLYP	
6.	816-148C	O-RING - WHIRLFILTER	
7.	817-108C	COVER - WHIRLFILTER POLYP	
8.	803-187C	NUT HEX WHIZ 1/4-20 18-8 SS	
9.	507-018V	WHIRLFILTER ASSY 1.25 SCREEN	
10.	507-017V	WHIRLFILTER ASSY 50 MESH SCR	

**Legend:** ① = 1st revision; ② = 2nd revision; ③ = 3rd revision; ● = use up existing stock; ⊗ = not interchangeable; ⊗ ① ② = for example: revision 2 is not interchangeable w/revision 1



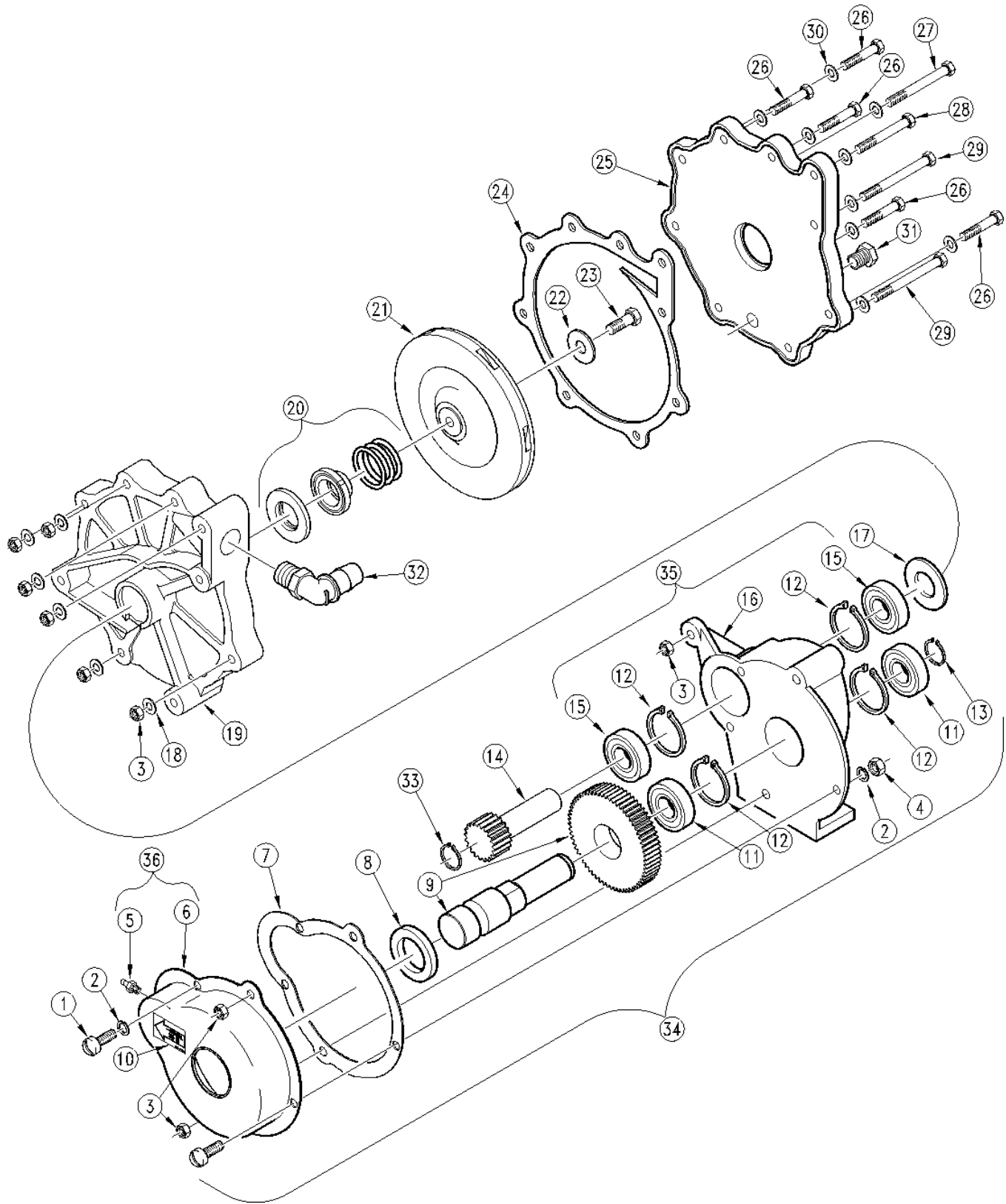


**PTO Meterflow Pump Assembly**

Ref.	Part No.	Part Description	Comments
1.	800-123C	CLAMP WRM DRV #16 SS (.68-1.5)	
2.	800-082C	CABLE TIE .31X21.5 6DIA 120LB	
3.	990-001R	2" ANTI-ABRASION SHEATHING	
4.	990-082R	HOSE 1 ID 200PSI EPDM	
5.	830-106C	EL 1 1/2HB POLYPROP	
6.	800-125C	CLAMP WRM DRV#28 SS(1.31-2.25)	
7.	990-079R	HOSE 1 1/2ID EPDM SUCTION HOSE	
8.	830-131C	EL 1 1/4MNPT X 1 1/2HB POLYP	
9.	507-010L	PUMP METERFLOW - 540 RPM	Also includes items 12, 16, & 18 thru 25. Refer to page 4-3 for pump breakdown.
	507-011L	PUMP METERFLOW - 1000RPM 1 3/8	Also includes items 12, 16, 17 & 19 thru 25. Refer to page 4-3 for pump breakdown.
	507-012L	PUMP METERFLOW - 1000RPM 1 3/4	Also includes items 11 thru 15 & 19 thru 27. Refer to page 4-3 for pump breakdown.
10.	830-104C	EL 1HB POLYPROP	
11.	803-148C	NUT HEX NYLOCK 5/8-11 PLT	
12.	803-147C	NUT HEX NYLOCK 1/2-13	
13.	507-044D	COUPLER - 1000 1-3/4 MACHINED	
14.	802-394C	HHCS 5/8-11X3 1/4 GR8	
15.	802-393C	HHCS 1/2-13X3 1/4 GR8	
16.	802-365C	HHCS 1/2-13X3 GR8	
17.	507-001D	COUPLER - 1000 1 3/8	
18.	507-006D	COUPLER - 540	
19.	802-159C	HHCS 5/16-18X1 GR5	
20.	804-036C	WASHER FLAT 5/16 SAE PLT	
21.	804-009C	WASHER LOCK SPRING 5/16 PLT	
22.	803-008C	NUT HEX 5/16-18 PLT	
23.	507-013D	CHAIN - TORQUE BAR	
24.	816-169C	TARP STRAP 15 WITH HOOKS	
25.	507-007D	TORQUE BAR	
26.	507-045D	COUPLER SPACER 1000 RPM 1 3/4	
27.	507-091V	COUPLER - 1000 1-3/4 ASSY-MACH	Includes items 13 & 26.
28.	830-087C	AD 1MNPT X 1HB POLYPROP	

**Legend:** ● = 1st revision; ● = 2nd revision; ● = 3rd revision; ● = use up existing stock; ⊗ = not interchangeable; ⊗ ⊕ ● = for example: revision 2 is not interchangeable w/revision 1

**PTO Pump Assembly**



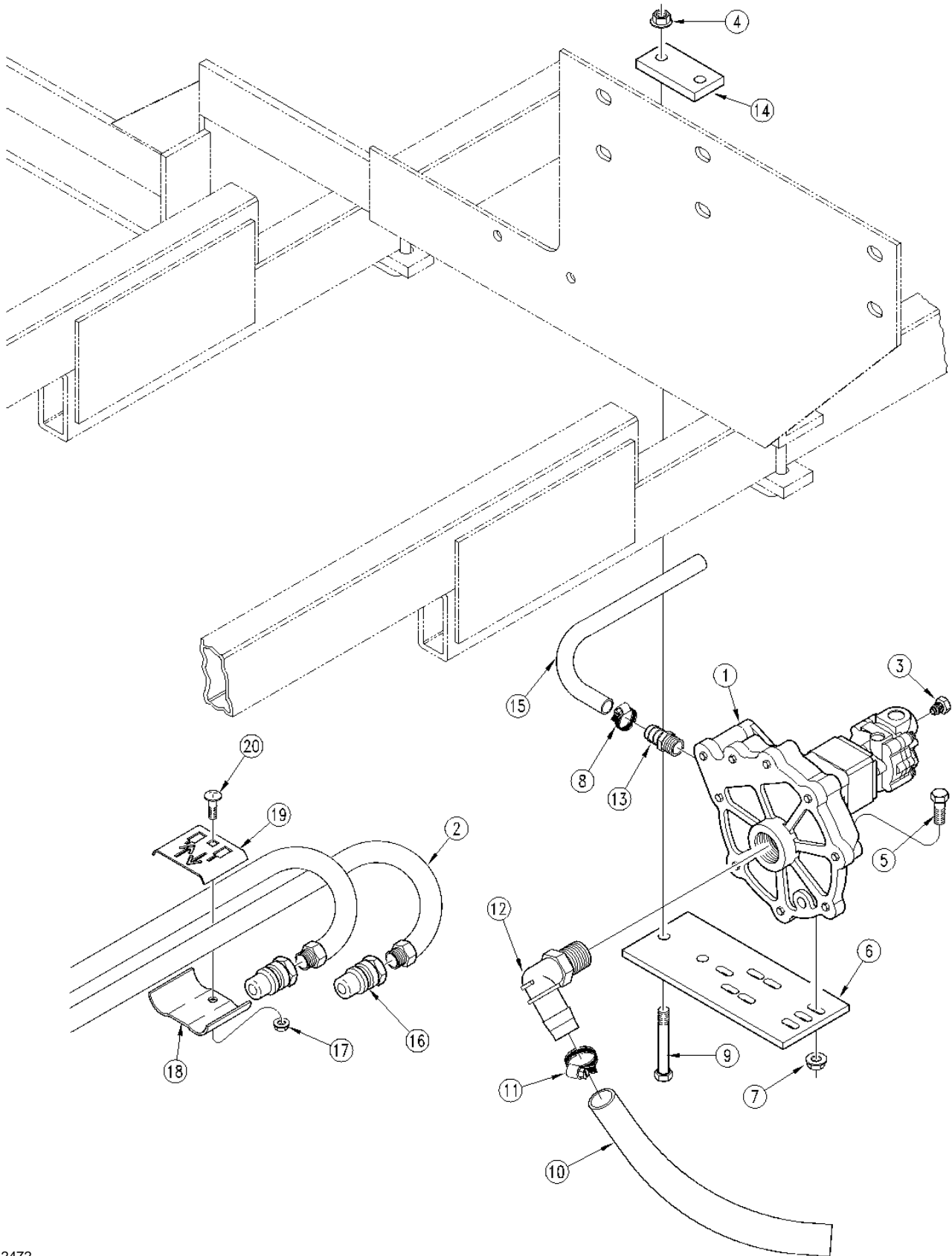
11476

**PTO Pump Assembly**

Ref.	Part No.	Part Description	Comments
1.	801-012C	SCREW PAN HD 1/4-20X5/8 LG	
2.	804-006C	WASHER LOCK SPRING 1/4 PLT	
3.	803-084C	NUT HEX NYLOCK 5/16-18 PLT	
4.	803-006C	NUT HEX 1/4-20 PLT	
5.	⊗ 800-130C	<b>GREASE ZERK STRAIGHT 1/8-27NPT</b>	
	● ① 800-122C	<b>ZERK DRIVE ALEMITE #1608-B</b>	
6.	831-017C	COVER - PTO PUMP GEAR CASE	
7.	816-146C	GASKET - GEAR CASE COVER	
8.	890-253C	PUMP FELT WASHER	
9.	507-025V	GEAR & SHAFT - 540 ASSY	
	507-028V	GEAR & SHAFT - 1000 ASSY	
10.	818-298C	DECAL GREASE 25HRS BLACK/WHITE	
11.	822-111C	BEARING 1 B X 2.0472 OD L/CL	
12.	800-038C	SNAP RING INT 2.05 OD	
13.	800-021C	SNAP RING 1.000	
14.	⊗ 507-102V	<b>PINION SHAFT - 540 RPM PUMP</b>	
	● ⊗ 507-516D	<b>PINION SHAFT - 540 RPM PUMP</b>	Replaced by 507-102V
	● ① 808-138C	<b>OBSOLETE REPLACED BY 507-516D</b>	
	⊗ 507-101V	<b>PINION SHAFT - 1000 RPM PUMP</b>	
	● ⊗ 507-515D	<b>PINION SHAFT - 1000 RPM PUMP</b>	Replaced by 507-101V.
	● ① 808-137C	<b>OBSOLETE REPLACED BY 507-515D</b>	
15.	822-112C	BEARING 7/8 B X 2.0472 OD L/CL	
16.	507-004D	BRG HOUSING - PTO	
17.	817-122C	WASHER - NYLON	
18.	804-036C	WASHER FLAT 5/16 SAE PLT	
19.	817-100C	VOLUTE - PUMP	
20.	816-143C	SEAL ASSY - METERFLOW PUMP	
21.	507-023V	IMPELLER ASSY	
22.	804-089C	WASHER FLAT 3/8 CUP 304 SS	
23.	802-364C	HHCS 3/8-24X1 1/2 SS	
24.	816-145C	GASKET - SUCTION HOUSING	
25.	817-099C	HOUSING - SUCTION	
26.	802-172C	HHCS 5/16-18X2 1/2 GR5	
27.	802-119C	HHCS 5/16-18X3 3/4 GR5	
28.	802-390C	HHCS 5/16-18X3 1/4 GR5	
29.	802-256C	HHCS 5/16-18X5 1/2 GR5	
30.	804-090C	WASHER CUP 5/16	
31.	830-019C	PL 3/8MNPT POLYPROP	
32.	830-127C	EL 1MNPT X 1HB POLYPROP	
33.	⊗ ① ⊗ 800-270C	<b>SNAP RING EXT 7/8 HEAVY DUTY</b>	Used only on 540 RPM gearbox.
	● ① 800-028C	<b>SNAP RING .875</b>	Used only on 540 RPM gearbox.
34.	507-027S	GEARBOX ASSY 1000 RPM	Includes items 1, 2, 3, 4, 7, 8, 9, 13, 14, 35, 36 & 37.
	507-024S	GEARBOX ASSY 540 RPM	Includes items 1, 2, 3, 4, 7, 8, 9, 13, 14, 35, 36 & 37.
35.	507-523V	BRG HOUSING ASSY - PTO	Includes items 11, 12, 15 & 16.
36.	⊗ 507-090V	<b>PTO PUMP GEAR CASE ASSY</b>	Includes items 5 & 6.
	● ① 831-001C	<b>OBS &amp; REP BY 507-090V</b>	

**Legend:** ● = 1st revision; ⊗ = 2nd revision; ⊗ = 3rd revision; ● = use up existing stock; ⊗ = not interchangeable; ⊗ ① ⊗ = for example: revision 2 is not interchangeable w/revision 1

Hydraulic Pump Mount (507-039A)



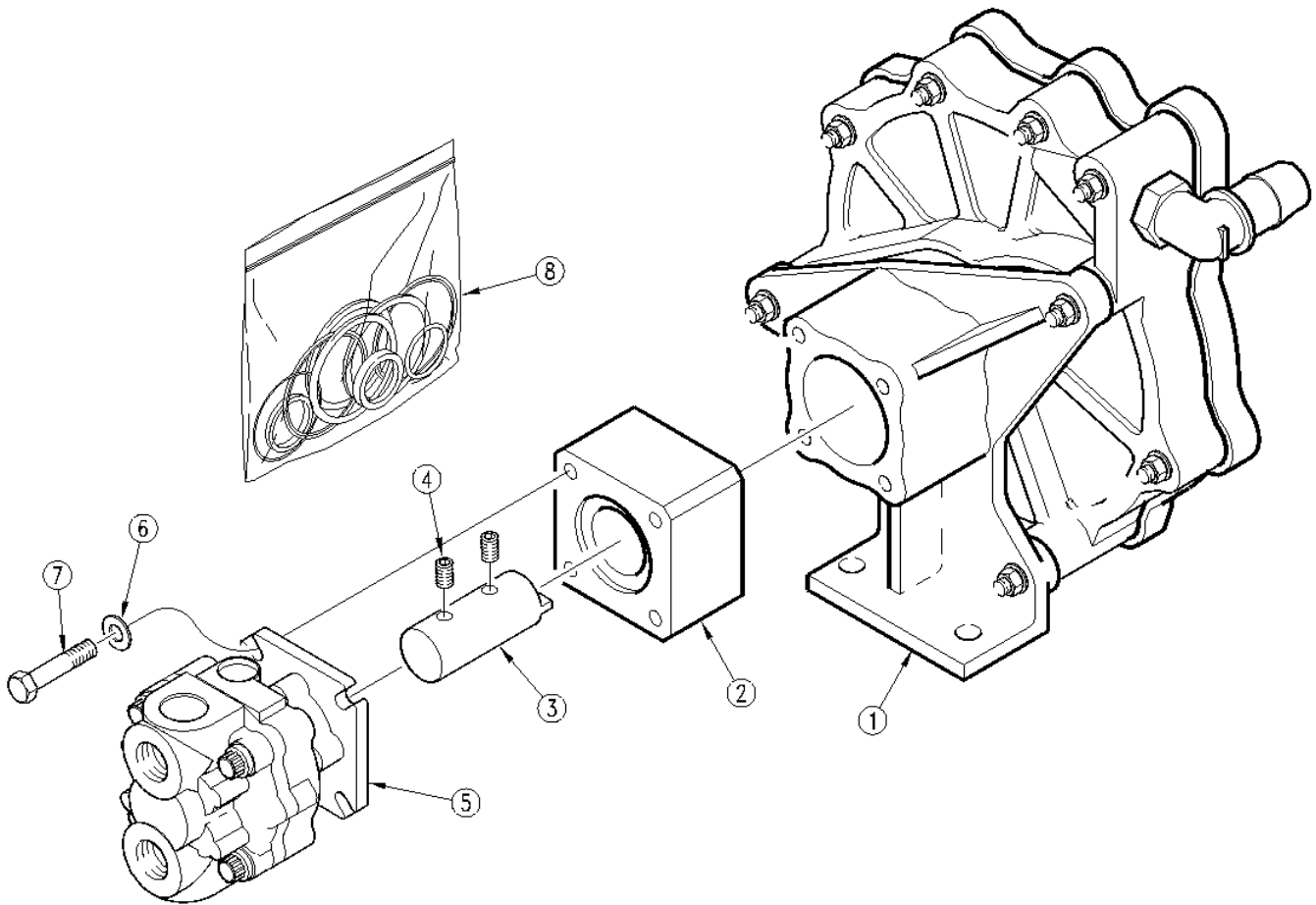
12472

**Hydraulic Pump Mount (507-039A)**

Ref.	Part No.	Part Description	Comments
1.	507-013L	PUMP METERFLOW - HYDRAULIC	Refer to page 4-7 for breakdown.
2.	811-389C	HH1/2R1 144 3/4MORB	
3.	811-384C	ORAD 7/64 3/4MORB 3/4FORB	
4.	803-193C	NUT HEX FLANGE 1/2-13 GR G PLT	
5.	802-079C	HHCS 3/8-16X1 1/4 GR5	
6.	508-998D	HYD PUMP MOUNT	
7.	803-068C	NUT HEX FLANGE 3/8-16 PLT	
8.	800-123C	CLAMP WRM DRV #16 SS (.68-1.5)	
9.	802-047C	HHCS 1/2-13X6 GR5	
10.	990-079R	HOSE 1 1/2ID EPDM SUCTION HOSE	
11.	800-125C	CLAMP WRM DRV#28 SS(1.31-2.25)	
12.	830-131C	EL 1 1/4MNPT X 1 1/2HB POLYP	
13.	830-087C	AD 1MNPT X 1HB POLYPROP	
14.	508-997D	PLATE	
15.	990-082R	HOSE 1 ID 200PSI EPDM	
16.	811-394C	CP 3/4FORB MALE QD	
17.	803-199C	NUT HEX FLANGE 5/16-18 PLT	
18.	502-068D	HYD HOSE CLAMP BRACKET	
19.	502-067D	HYD HOSE CLAMP LABEL	
20.	802-009C	RHSNB 5/16-18X1 1/4 GR5	

**Legend:** ● = 1st revision; ● = 2nd revision; ● = 3rd revision; ● = use up existing stock; ⊗ = not interchangeable; ⊗ ① ● = for example: revision 2 is not interchangeable w/revision 1

Hydraulic Pump with Motor Assembly



16054

**Hydraulic Pump with Motor Assembly**

Ref.	Part No.	Part Description	Comments
1.	507-016K	HYDRAULIC PUMP ASSY LESS MOTOR	Refer to page 4-9 for breakdown.
2.	890-267C	BLOCK - HYD MOTOR MOUNT	
3.	890-265C	ADAPTER - HYDRAULIC MOTOR	
4.	801-072C	CPHSSS 10-32X1/4	
5.	810-183C	HYD MOTOR GRESEN #MGG20016B13	
6.	804-036C	WASHER FLAT 5/16 SAE PLT	
7.	802-172C	HHCS 5/16-18X2 1/2 GR5	
8.	K29005E	GRESEN #MGG20016B13 SEAL KIT	

**Legend:** ① = 1st revision; ② = 2nd revision; ③ = 3rd revision; ● = use up existing stock; ⊗ = not interchangeable; ⊗ ① ② = for example: revision 2 is not interchangeable w/revision 1



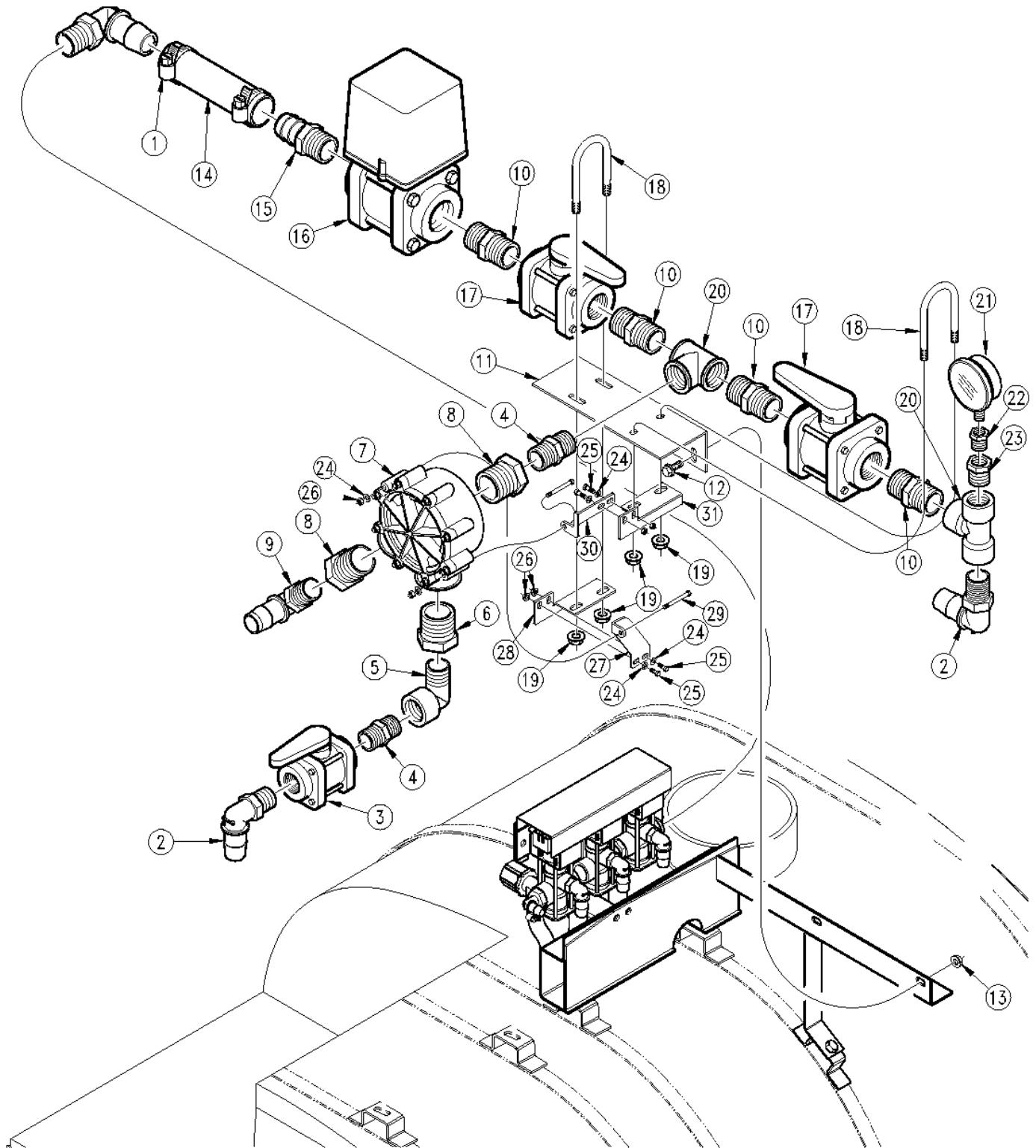


**Hydraulic Pump Assembly**

Ref.	Part No.	Part Description	Comments
1.	822-112C	BEARING 7/8 B X 2.0472 OD L/CL	
2.	800-083C	U-TYPE FASTENER 3/8-16	
3.	507-005D	BRG HOUSING - HYDRAULIC DRIVE	
4.	803-068C	NUT HEX FLANGE 3/8-16 PLT	
5.	802-079C	HHCS 3/8-16X1 1/4 GR5	
6.	800-028C	SNAP RING .875	
7.	507-003D	SHAFT - HYDRAULIC PUMP	
8.	817-122C	WASHER - NYLON	
9.	803-084C	NUT HEX NYLOCK 5/16-18 PLT	
10.	804-036C	WASHER FLAT 5/16 SAE PLT	
11.	817-100C	VOLUTE - PUMP	
12.	830-127C	EL 1MNPT X 1HB POLYPROP	
13.	816-143C	SEAL ASSY - METERFLOW PUMP	
14.	507-023V	IMPELLER ASSY	
15.	816-145C	GASKET - SUCTION HOUSING	
16.	804-089C	WASHER FLAT 3/8 CUP 304 SS	
17.	802-364C	HHCS 3/8-24X1 1/2 SS	
18.	817-099C	HOUSING - SUCTION	
19.	804-090C	WASHER CUP 5/16	
20.	802-279C	HHCS 5/16-18X4 GR5	
21.	830-019C	PL 3/8MNPT POLYPROP	
22.	802-390C	HHCS 5/16-18X3 1/4 GR5	
23.	802-172C	HHCS 5/16-18X2 1/2 GR5	
24.	507-029S	BEARING HOUSING ASSY - HYD	Includes items 1; 2; 3; 6 and 7.

**Legend:** ● = 1st revision; ● = 2nd revision; ● = 3rd revision; ● = use up existing stock; ⊗ = not interchangeable; ⊗ ① ● = for example: revision 2 is not interchangeable w/revision 1

Solenoid Valve Assembly



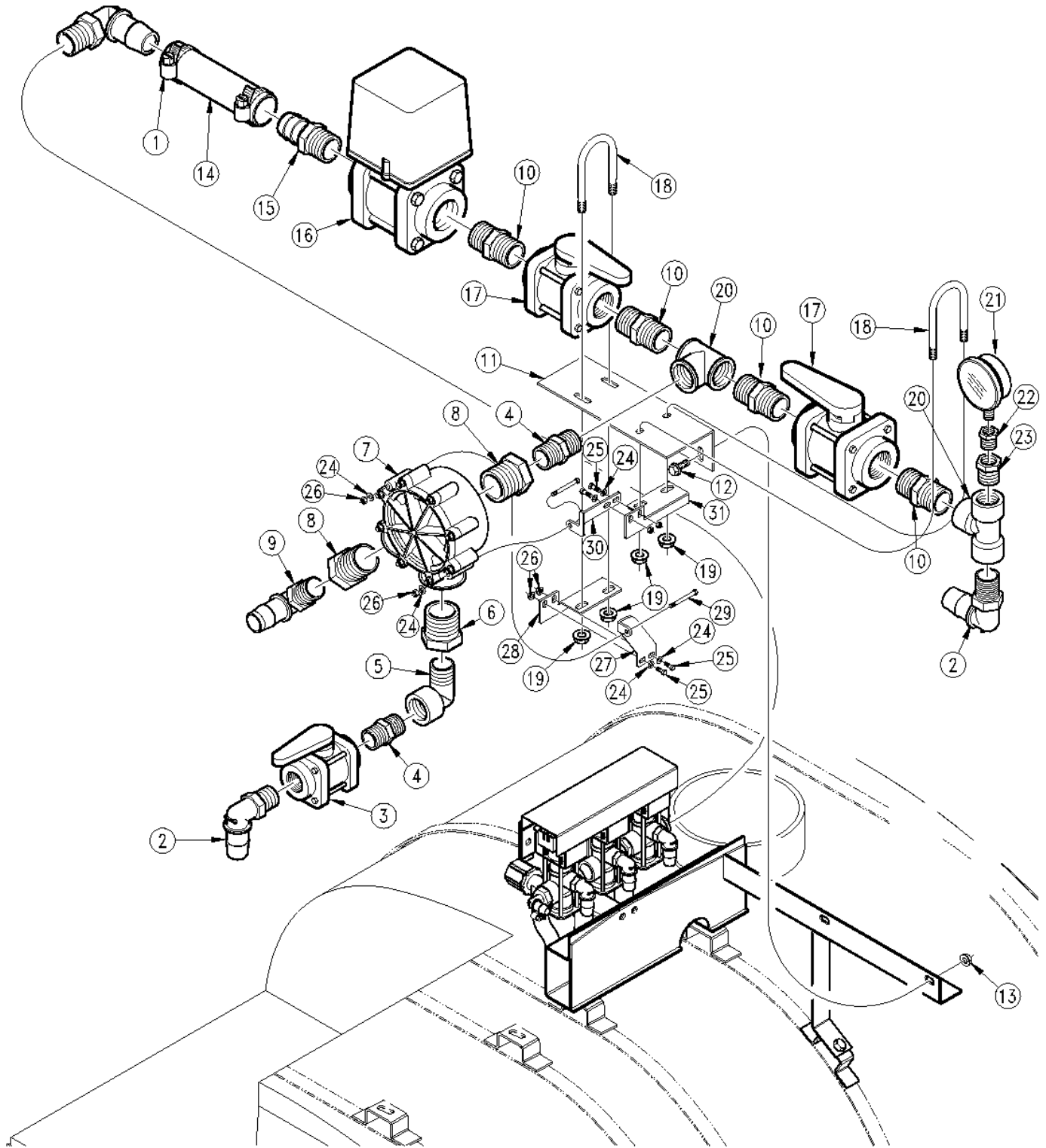
12233

**Solenoid Valve Assembly**

Ref.	Part No.	Part Description	Comments
1.	⊗ 509-124D	<b>COVER - SOLENOID</b>	
	● ① 509-545H	<b>OBSELETE REPLACED BY 509-124D</b>	
2.	509-544H	SOLENOID BRACKET WELD III	
3.	802-004C	HHCS 1/4-20X3/4 GR5	
4.	803-194C	NUT HEX WHIZ 1/4-20 PLT	
5.	802-147C	HHCS 3/8-16X3 1/2 GR5	
6.	803-068C	NUT HEX FLANGE 3/8-16 PLT	
7.	801-003C	SCREW RD HD SLT 10-24X1/2 PLT	
8.	804-054C	WASHER LOCK #10	
9.	804-046C	WASHER FLAT #10 SAE PLT	
10.	829-002C	VALVE ELEC BYPASS 3 WAY	Refer to page 5-5 for breakdown.
11.	829-003C	VALVE - THROTTLING BYPASS 1/2	
12.	830-080C	AD 1/2MNPT X 3/4HB POLYPROP	
13.	800-127C	CLAMP WRM DRV #12 SS(.56-1.25)	
14.	990-081R	HOSE 3/4 ID 200PSI EPDM	
15.	830-084C	AD 3/4MNPT X 3/4HB POLYPROP	
16.	830-028C	TEE 3/4FNPT POLYPROP	
17.	830-042C	AD 3/4MNPT POLYPROP	
18.	830-120C	EL 1/2MNPT X 3/4HB POLYPROP	
19.	830-124C	EL 3/4MNPT X 1HB POLYPROP	
20.	830-121C	EL 3/4MNPT X 3/8HB POLYPROP	
21.	830-123C	EL 3/4MNPT X 3/4HB POLYPROP	

**Legend:** ● = 1st revision; ⊗ = 2nd revision; ⊗ = 3rd revision; ● = use up existing stock; ⊗ = not interchangeable; ⊗ ① ⊗ = for example: revision 2 is not interchangeable w/revision 1

*Pressure Head Plumbing Assembly*



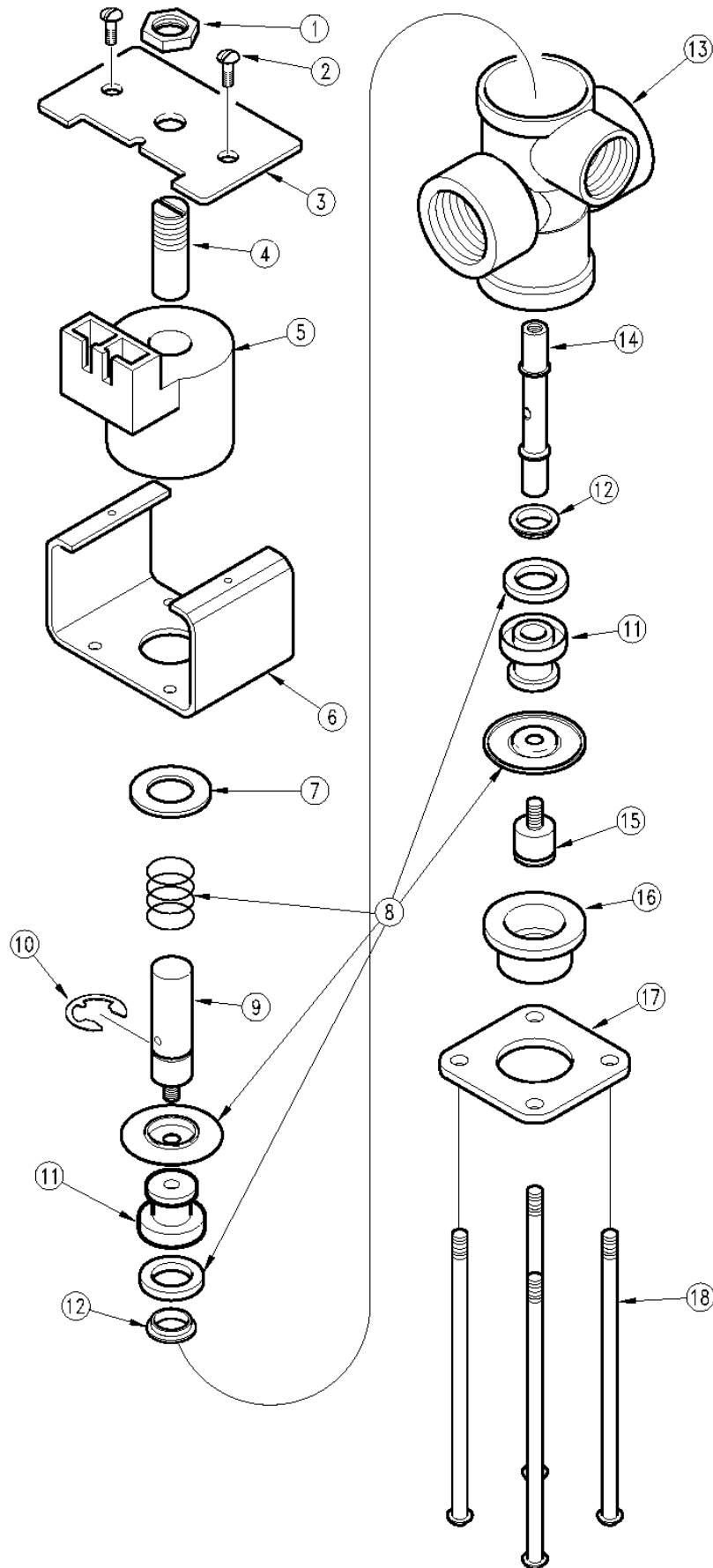
13228

**Pressure Head Plumbing Assembly**

Ref.	Part No.	Part Description	Comments
1.	800-123C	CLAMP WRM DRV #16 SS (.68-1.5)	
2.	830-123C	EL 3/4MNPT X 3/4HB POLYPROP	
3.	829-010C	VALVE - 3/4FNPT BALL POLYPROP	Refer to page 3-7 for breakdown.
4.	830-042C	AD 3/4MNPT POLYPROP	
5.	830-049C	EL 3/4MNPT X 3/4FNPT POLYP	
6.	830-161C	AD 1 1/2MNPT X 3/4FNPT POLYP	
7.	507-018V	WHIRLFILTER ASSY 1.25 SCREEN	
8.	830-145C	AD 1 1/2MNPT X 1FNPT POLYPROP	
9.	830-127C	EL 1MNPT X 1HB POLYPROP	
10.	830-043C	AD 1MNPT POLYPROP	
11.	509-547D	MOUNTING BRACKET	
12.	802-017C	HHCS 3/8-16X1 GR5	
13.	803-198C	NUT HEX WHIZ 3/8-16 PLT	
14.	990-082R	HOSE 1 ID 200PSI EPDM	
15.	830-087C	AD 1MNPT X 1HB POLYPROP	
16.	510-007V	ELEC BALL VALVE ASSY	
17.	829-011C	VALVE - 1FNPT BALL POLYPROP	Refer to page 3-7 for breakdown.
18.	806-096C	U-BOLT 5/16-18 X 2 X 2 11/16	
19.	803-199C	NUT HEX FLANGE 5/16-18 PLT	
20.	830-029C	TEE 1FNPT POLYPROP	
21.	829-008C	PRESSURE GAUGE 100 PSI 63MM	
22.	830-137C	AD 1/2MNPT X 1/4FNPT POLYPROP	
23.	830-141C	AD 1MNPT X 1/2FNPT POLYPROP	
24.	804-007C	WASHER FLAT 1/4 SAE PLT	
25.	802-078C	HHCS 1/4-20X5/8 GR5	
26.	803-194C	NUT HEX WHIZ 1/4-20 PLT	
27.	509-113D	WHIRLFILTER SUPPORT TOP LH	
28.	509-111D	WHIRLFILTER SPRT MAN LH BTM	
29.	802-405C	HHCS 1/4-20X2 1/4 18-8 SS	
30.	509-112D	WHIRLFILTER SUPPORT TOP RH	
31.	509-110D	WHIRLFILTER SPRT MAN RH BTM	

**Legend:** ● = 1st revision; ● = 2nd revision; ● = 3rd revision; ● = use up existing stock; ⊗ = not interchangeable; ⊗ ① ● = for example: revision 2 is not interchangeable w/revision 1

**Solenoid Valve Assembly 3-Way**



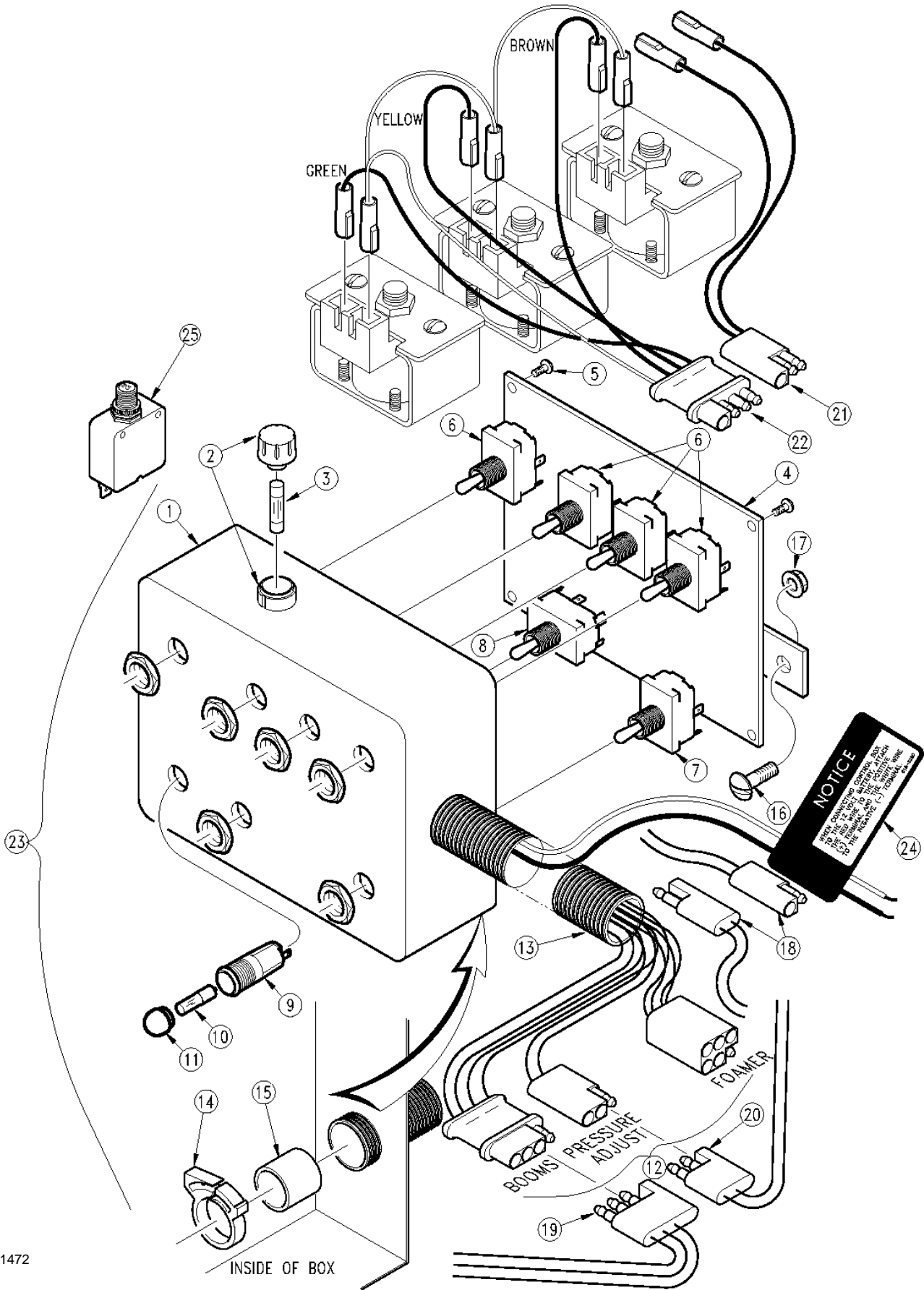
12394

**Solenoid Valve Assembly 3-Way**

Ref.	Part No.	Part Description	Comments
1.	CP15168-IENP	SPRAYING SYS JAM NUT, STEEL	
2.	CP14933-SS	SPRAYING SYS SHORT SCREW SS	
3.	CP15166-I	SPRAYING SYS COIL COVER	
4.	CP38073-IENP	SPRAYING SYS ARMATURE STOP	
5.	CP15163-NYB	SPRAYING SYS COIL ASSEMBLY	
6.	CP14927-I	SPRAYING SYS STRAP	
7.	CP15169-SS	SPRAYING SYS WASHER SS	
8.	829-025C	PARTS KIT - 3-WAY 144-1 SOLND	
9.	CP38072-IENP	SPRAYING SYS ARMATURE	
10.	CP14813-1-IENP	SPRAYING SYS RETAINING RING	
11.	CP25678-SS	SPRAYING SYS SEAT WASH RETAIN	
12.	CP14811-SS	SPRAYING SYS SPACER SS	
13.	CP21672-1-PPB	SPRAYING SYS BODY POLYPROP	
14.	CP21674-SS	SPRAYING SYS STEM SS	
15.	CP15162-SS	SPRAYING SYS LOW DIAPH PISTON	
16.	CP38075-NYB	SPRAYING SYS LOWER DIAPGM HSNB	
17.	CP14804-1-I	SPRAYING SYS BOTTOM PLATE	
18.	CP21673-SS	SPRAYING SYS LONG SCREW SS	

**Legend:** ● = 1st revision; ● = 2nd revision; ● = 3rd revision; ● = use up existing stock; ⊗ = not interchangeable; ⊗ ① ● = for example: revision 2 is not interchangeable w/revision 1

**Control Box Assembly**



11472

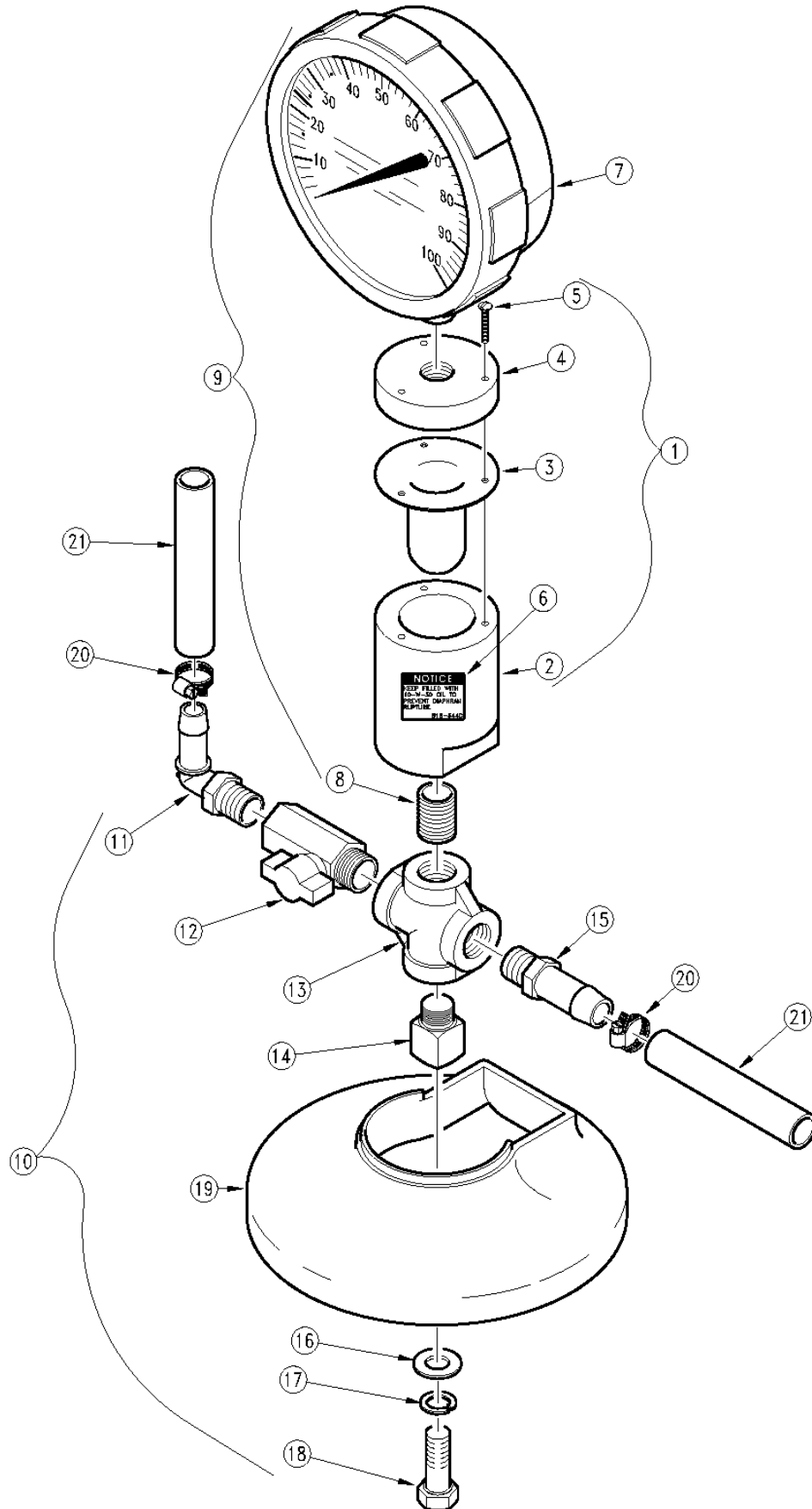


**Control Box Assembly**

Ref.	Part No.	Part Description	Comments
1.	510-001D	CONTROL BOX W/ SILKSCREEN	
2.	823-068C	FUSEHOLDER LITTLEFUSE #342838A	
3.	823-069C	FUSE-20 AMP LITTLEFUSE #313020	
4.	⊗ 510-514V	<b>BACK COVER SUBASSEMBLY</b>	
	● ① 510-002D	<b>OBS REPLBY 510-514V</b>	
5.	801-060C	SP HMS 4-40 X 1/2 PLT	
6.	823-061C	SWITCH DPST MCGILL #0121-0009	
7.	823-063C	MOMENTARY DPDT MCGILL#0121-0012	
8.	823-062C	SWITCH DPDT MCGILL #0121-0010	
9.	823-065C	LIGHT SOCKET - SYLVANIA #31099	
10.	823-067C	LIGHT BULB - SYLVANIA #12MB	
11.	823-066C	LENS - LIGHT - SYLVANIA #30120	
12.	510-003V	ELECTRICAL WIRING - CONT BOX	
13.	⊗ 990-158R	<b>SLIT CONVOLUTED TUBING PE 3/4</b>	
	● ① 510-003D	<b>OBSOLETE REPLACED BY 990-158R</b>	
14.	800-129C	CLAMP EASY SL #62 (.953-1.093)	
15.	⊗ 990-159R	<b>PIPE PVC 1/2 ID SDR-21</b>	
	● ① 510-006D	<b>OBSOLETE REPLACED BY 990-159R</b>	
16.	801-012C	SCREW PAN HD 1/4-20X5/8 LG	
17.	803-194C	NUT HEX WHIZ 1/4-20 PLT	
18.	510-004V	BATTERY LEADS - CONTROL BOX	
19.	823-070C	ELEC EXT CORD - SOLENOIDS	
20.	823-071C	ELECT EXT CORD - PRESS ADJUST	
21.	510-006V	CORD - ELEC BALL VALVE ASSY	
22.	510-005V	CORD - ELEC SOLENOID ASSY	
23.	510-002K	CONTROL BOX & HARNESS ASSY	Includes items 1, 4, 6, 8 thru 15, 24 & 25.
24.	818-326C	DECAL CONTROL BOX POWER LEADS	
25.	833-101C	25-AMP CIRCUIT BREAKER	Replaces items 2 & 3.

**Legend:** ● = 1st revision; ⊗ = 2nd revision; ⊗ = 3rd revision; ● = use up existing stock; ⊗ = not interchangeable; ⊗ ① = for example: revision 2 is not interchangeable w/revision 1

Magnet Mount 3 1/2 Gauge Assembly (507-030K)



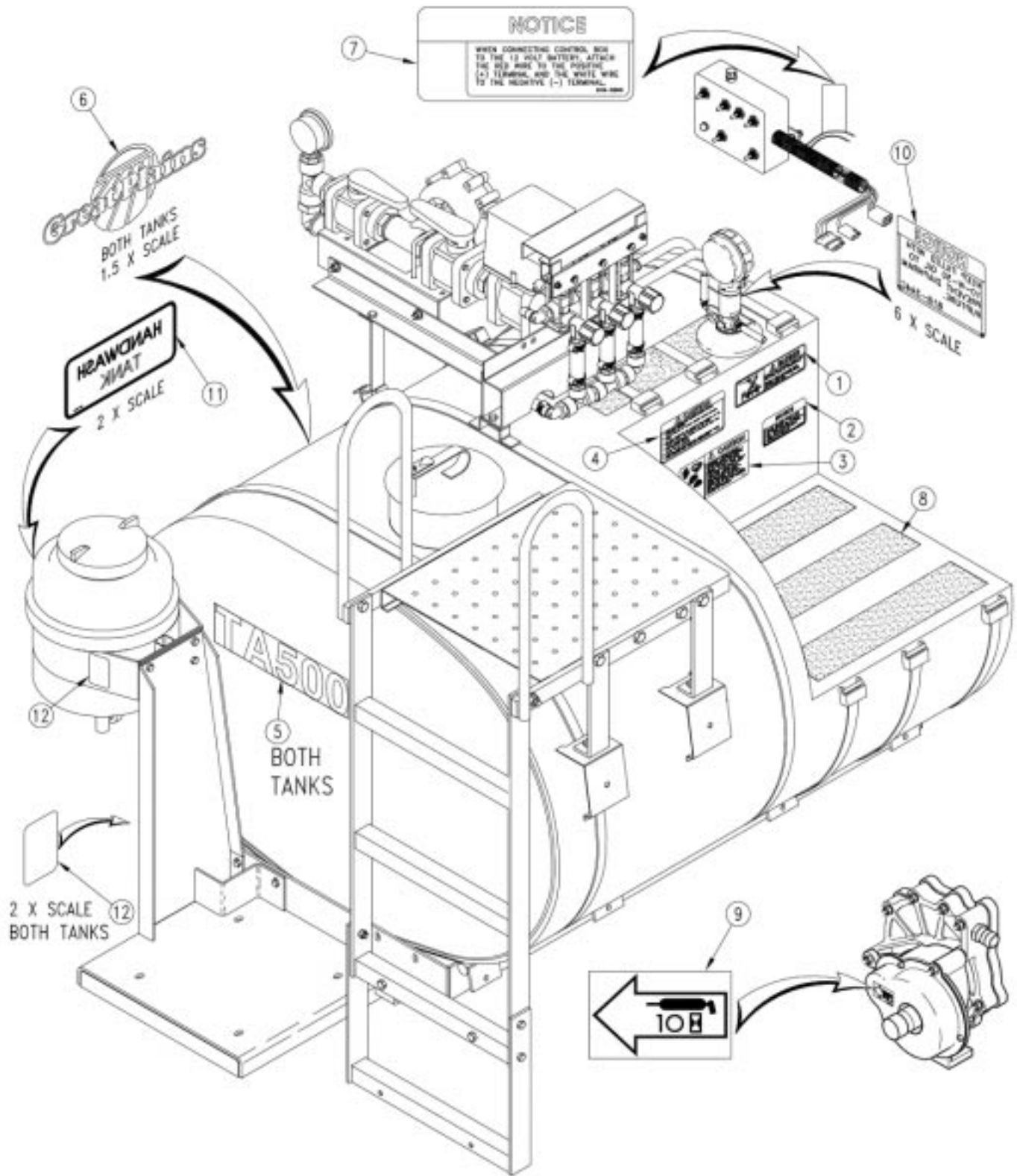
11503

**Magnet Mount 3 1/2 Gauge Assembly (507-030K)**

Ref.	Part No.	Part Description	Comments
1.	507-034V	GAUGE PROTECTOR ASSY	Includes items 2 thru 6.
2.	⊗ 507-039D	GAUGE PROTECTOR BOTTOM	
	● ① 890-261C	OBSOLETE REPLACED BY 507-039D	
3.	816-144C	DIAPHRAGM - GAUGE PROTECTOR	
4.	⊗ 507-040D	GAUGE PROTECTOR TOP	
	● ① 890-260C	OBSOLETE REPLACED BY 507-040D	
5.	801-071C	SRHMS 5-40X5/8 SS	
6.	818-344C	DECAL NOTICE GAUGE PROTECTOR	
7.	829-007C	GAUGE - 100PSI 3 1/2 GLYC FLD	
8.	830-192C	AD 1/4MNPT CLOSE X 7/8 SS	
9.	507-032S	3 1/2 GAUGE & PROTECTOR ASSY	Includes items 1, 7 & 8.
10.	507-035S	MAGNET MOUNT & PLUMBING ASSY	Includes items 11 thru 21.
11.	830-111C	EL 1/4MNPT X 3/8HB POLYPROP	
12.	829-015C	VALVE 1/4 PRECISION #90FMB14	
13.	830-190C	CR 1/4FNPT SS	
14.	507-014D	PLUG - MAGNET MOUNT	
15.	830-071C	AD 1/4MNPT X 3/8HB POLYPROP	
16.	804-036C	WASHER FLAT 5/16 SAE PLT	
17.	804-009C	WASHER LOCK SPRING 5/16 PLT	
18.	802-007C	HHCS 5/16-18X3/4 GR5	
19.	890-263C	MAGNET - MAGNAMOUNT K40	
20.	800-126C	CLAMP WRM DRV #5 SS (.44-.70)	
21.	990-080R	HOSE 3/8 ID 150PSI EPDM	

**Legend:** ● = 1st revision; ⊗ = 2nd revision; ⊕ = 3rd revision; ● = use up existing stock; ⊗ = not interchangeable; ⊗ ① ● = for example: revision 2 is not interchangeable w/revision 1

*Decal Placement*



12314

***Decal Placement***

<b>Ref.</b>	<b>Part No.</b>	<b>Part Description</b>	<b>Comments</b>
1.	818-367C	DECAL DANGER POWER LINES	
2.	818-307C	DECAL DO NOT RUN PUMP DRY	
3.	818-323C	DECAL AG CHEMICALS DANGER	
4.	818-324C	DECAL SPRAYER CAUTION LIST	
5.	838-498C	DECAL TA500	
6.	838-502C	DECAL GP ON LOGO SPRAYER	
7.	818-326C	DECAL CONTROL BOX POWER LEADS	
8.	990-085R	3M CONFORM. ANTI-SLIP 4" WIDE	
9.	818-349C	DECAL GREASE 10 HRS LH	
10.	818-344C	DECAL NOTICE GAUGE PROTECTOR	
11.	818-304C	DECAL HANDWASH TANK LOCATION	
12.	818-229C	DECAL AMBER REFLECTOR	

**Legend:** ● = 1st revision; ● = 2nd revision; ● = 3rd revision; ● = use up existing stock; ⊗ = not interchangeable; ⊗ ① ● = for example: revision 2 is not interchangeable w/revision 1