

Parts Manual

10 Gallon Stainless Tank
High Volume Foam Marker
1993-1995

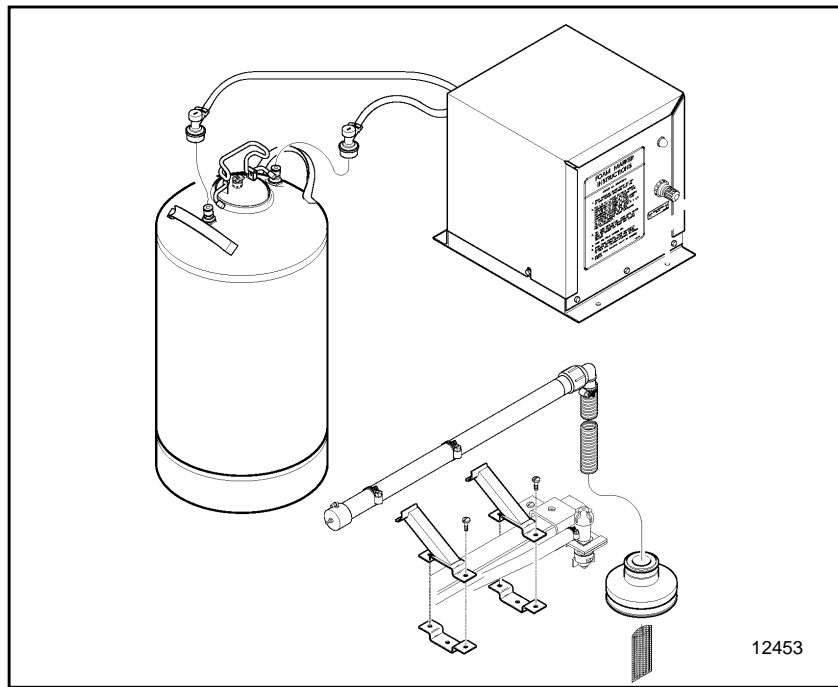
Great Plains

Manufacturing, Inc.

P.O. Box 5060 • Salina, Kansas 67402-5060



Read the Operator's manual entirely. When you see this symbol, the subsequent instructions and warnings are serious - follow without exception. Your life and the lives of others depend on it!



Cover illustration may show optional equipment not supplied with standard unit.

Table of Contents

Section 1 Introduction	1-1	Tractor Mount Sprayer Foam Marker Mounting Assembly	2-9
General Information	1-1	3-Point Mounted Sprayer Foam Marker Mounting Assembly	2-11
Revisions	1-1	Wiring Assembly	2-13
Touch-up Paint and Manual Information	1-1	Foam Marker Switchbox	2-15
Replacement Hardware	1-1	Compressor Assembly	2-17
Part Number Service Coding	1-2	Plumbing Assembly	2-19
Part Number Index	1-3	Electric Solenoid Valve (826-016C)	2-21
Section 2 Foam Marker Assemblies	2-1	Solenoid Valve Assembly 3-Way (829-002C)	2-23
Foam Generator Cylinder Assembly	2-1	Section 3 Decals	3-1
Foam Marker Tank Assembly	2-3	Decal Placement	3-1
Single Axle Sprayer Foam Marker Mounting Assembly	2-5		
Tandem Axle Sprayer Foam Marker Mounting Assembly	2-7		

© Copyright 1998 All rights Reserved

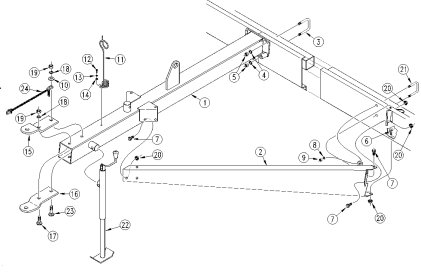
Great Plains Manufacturing, Inc. provides this publication "as is" without warranty of any kind, either expressed or implied. While every precaution has been taken in the preparation of this manual, Great Plains Manufacturing, Inc. assumes no responsibility for errors or omissions. Neither is any liability assumed for damages resulting from the use of the information contained herein. Great Plains Manufacturing, Inc. reserves the right to revise and improve its products as it sees fit. This publication describes the state of this product at the time of its publication, and may not reflect the product in the future. The illustrations in this manual are not intended for safe and proper assembly or disassembly of equipment. The illustrations are intended for ordering parts only.

Great Plains Manufacturing, Incorporated Trademarks

The following are trademarks of Great Plains Mfg., Inc.: Application Systems, Ausherman, Land Pride, Great Plains

All other brands and product names are trademarks or registered trademarks of their respective holders.

Printed in the United States of America.

Section Number & Description	Serial Number Break	Illustration Page	Parts Page
<p>Section 2 Frames Tongue & Pull Bar (S/N 00000-) Great Plains Mfg., Inc.</p> <p>Illustration Heading</p>  <p>Illustration</p> <p>Illustration Number</p> <p>10207</p> <p>2-1 EWD13 13' End Wheel Drill 175-083P 5/21/98</p> <p>Left Page Number</p> <p>Manual Name & Number</p> <p>New or Modification Date</p>			<p>Great Plains Mfg., Inc. Section 2 Frames Tongue & Pull Bar (S/N 00000-)</p> <p>Parts List</p> <ol style="list-style-type: none"> 1. 177-001H 13' END WHEEL TONGUE WELDMENT 2. 177-004H PULL BAR WELDMENT LH 2. 177-005H PULL BAR WELDMENT RH 3. 806-032C U-BOLT 5/8-11 X 3 17/32 UNEVEN 4. 804-022C WASHER LOCK SPRING 5/8 PLT 5. 803-021C NUT HEX 5/8-11 PLT 6. 802-183C RHSNB 1/2-13X1 GR5 7. 802-083C HFSS 1/2-13X1 1/4 GR8 8. 804-015C WASHER LOCK SPRING 1/2 PLT 9. 803-020C NUT HEX 1/2-13 PLT 10. 177-587D SAFETY CHAIN WASHER 11. 807-023C SPRING HOSE LOOP 12. 801-028C SCREW HEX 3/8-16X1 TYPE F 13. 804-013C WASHER LOCK SPRING 3/8 PLT 14. 804-012C WASHER FLAT 3/8 SAE PLT 15. 177-009D CLEVIS HITCH TOP HALF 16. 177-008D CLEVIS HITCH BOTTOM HALF 17. 802-177C RHSNB 3/4-10X2 1/2 GR5 18. 804-023C WASHER LOCK SPRING 3/4 PLT 19. 803-027C NUT HEX 3/4-10 PLT 20. 803-037C NUT HEX WHIZ 1/2-13 PLT 21. 806-028C U-BOLT 1/2-13 X 3 17/32 X4 3/4 22. 890-118C SCREW JACK 2000# 23. 802-289C RHSNB 3/4-10X3 GR5 24. 890-182C SAFETY CHAIN 10000 LB <p>7/1/98 EWD13 13' End Wheel Drill 175-083P 2-2</p> <p>Right Page Number</p>

General Information

Revisions

Please refer to the date at the bottom of each page for the most current version of the equipment. Serial number breaks are at the top of the page at the end of the illustration heading, refer to the illustration above.

Touch-up Paint and Manual Information

Repaint parts where paint is worn or scratched to prevent rust. Aerosol touch-up paint is available. To order use Great Plains part numbers below:

- GP Green821-001C
- GP Black821-002C
- GP Beige821-003C
- GP Buckskin821-004C
- LP Beige821-011C
- LP Black821-032C

Replacement manuals available. Use Great Plains part 500-033P.

Replacement Hardware

All bolts and nuts are grade 5 unless otherwise noted. The use of improper grades of hardware can result in personal injury, damage to equipment, or loss of property. See **“Hardware Legend”** on page 1-2, for hardware abbreviations used within all parts lists.

Hardware Legend

AR	As Required
BLADE	Blade Bolt
C	Cap Screw
CP	Cotter Pin
CPHSSS	Cup Point Hex Socket Set Screw
CPSHSS	Cup Point Square Head Set Screw
CPSQHSS	Cup Point Square Head Set Screw
CRFCHMS	Cross Recess Flat Countersunk Head Mach. Screw
CRPHMS	Cross Recess Pan Head Machine Screw
CRPHTFS	Cross Recess Pan Head Thread Forming
CRRHMS	Cross Recess Round Head Machine Screw
CRTHMS	Cross Recess Truss Head Machine Screw
CSNB	Countersunk Square Neck Bolt
FHMS	Flat Head Machine Screw
FTC	Full Thread Cap Screw
H	Hex Nut
HCLN	Hex Center Lock Nut
HFLCS	Hex Flange Lock Cap Screw
HFS	Hex Flange Screw
HFSLN	Hex Flange Serrated Lock Nut
HFSS	Hex Flange Serrated Screw
HHCS	Hex Head Cap Screw or Metric Bolt
HSBHCS	Hex Socket Button Head Cap Screw
HSFCHCS	Hex Socket Flat Countersunk Head Cap Screw
HSHCS	Hex Socket Head Cap Screw
HSSS	Hex Socket Head Screw
HTLN	Hex Top Lock Nut
HWHCS	Hex Washer Head Cap Screw

HWHMS	Hex Washer Head Machine Screw
HXBHCS	Hex Socket Button Head Cap Screw
J	Hex Jam Nut
JIC	37 Degree Tapered Thread
L	Helical Spring Lock Washer
LUG	Lug Bolt
NFC	National Fine Cap Screw
NPSM	National Pipe Straight Mechanical
NPTF	National Pipe Taper Fuel
P	Wide Plain Washer
PHMS	Pan Head Machine Screw
PLOW	Plow Bolt
RHMS	Round Head Machine Screw
RHSNB	Round Head Square Neck Bolt
SCREW LEVELING	Leveling Screw
SCREW THUMB	Thumb Screw
SCREW WELD	Weld Screw
SFCHMS	Slotted Flat Countersunk Head Machine Screw
SFHMS	Slotted Fillister Head Machine Screw
SP	Special
SP SCREW	Special Screw
SQHSS	Square Head Set Screw
SRHMS	Slotted Round Head Machine Screw
SSS	Socket Set Screw
STCS	Self Tapping Cap Screw
STHMS	Slotted Truss Head Machine Screw
WHEEL	Wheel Studs and Hub Long Bolts
WING	Wing Bolt

Part Number Service Coding

Within the following parts lists some part numbers are coded for revisions and interchangeability.

Legend:

Newest serial numbers are listed first.

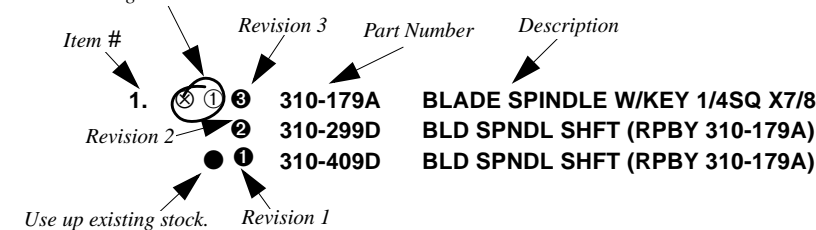
Bold face type indicates parts that are serviced. These parts are considered interchangeable, if it supersedes another part, unless otherwise noted.

Example:

- (S/N 20001+) Includes serial numbers 20001 and above (to the newest numbers)
- (S/N 10001↔20000) Includes serial numbers between and including 10001 and 20000
- (S/N 10000-) Includes serial numbers 10000 and below (to the oldest number)

- ① First revision, e.g.; ② is 2nd revision, ③ is 3rd revision, etc.
(Greater numbers are the newest.)
- The existing stock for this part should be used up before ordering the new part.
- ⊗ Not interchangeable
- ⊗①② Revision 2 is not interchangeable w/1

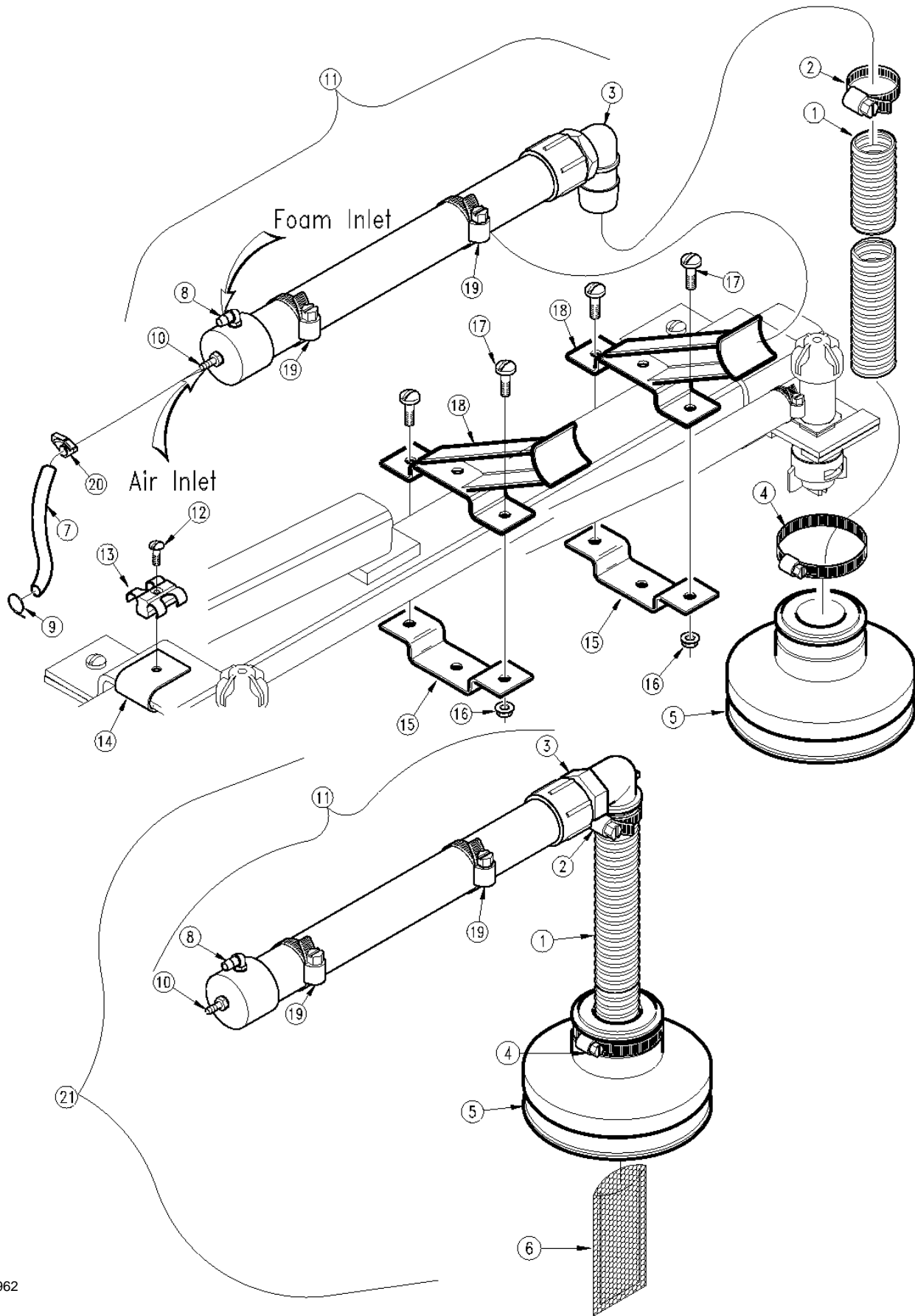
Not interchangeable with revision 1



Part Number Index

Part Number	Page	Part Number	Page	Part Number	Page	Part Number	Page
340812-4	802-004C2-20	830-110C2-2		
356172-4	802-017C2-10	830-110C2-20		
360822-4	802-017C2-12	830-117C2-20		
365152-4	802-017C2-6	830-133C2-2		
365162-4	802-017C2-8	830-140C2-20		
365182-4	802-143C2-10	830-191C2-18		
395132-4	802-143C2-6	830-191C2-20		
395872-4	802-147C2-20	830-194C2-18		
39567P2-4	803-001C2-18	830-195C2-18		
501-010H2-8	803-068C2-10	830-201C2-20		
502-003K2-10	803-068C2-12	830-203C2-18		
502-003K2-12	803-068C2-20	830-203C2-20		
502-003K2-6	803-068C2-6	830-204C2-18		
502-003K2-8	803-068C2-8	830-224C2-4		
502-009H2-12	803-187C2-2	831-005C2-18		
502-009H2-8	803-194C2-14	831-006C2-18		
502-010H2-12	803-194C2-16	890-303C2-2		
502-038H2-18	803-194C2-18	990-075R2-12		
502-041H2-12	803-194C2-20	990-075R2-8		
502-041H2-8	804-007C2-14	990-087R2-4		
502-042H2-8	804-011C2-6	990-088R2-18		
502-043H2-10	804-012C2-10	990-088R2-2		
502-043H2-6	804-012C2-12	990-088R2-20		
502-044H2-14	804-012C2-6	990-096R2-2		
502-045H2-18	804-012C2-8	990-158R2-16		
502-048S2-10	804-012C2-8	990-159R2-16		
502-048S2-12	804-043C2-18	CP14801-PPB2-22		
502-048S2-6	804-046C2-20	CP14804-1-I2-24		
502-048S2-8	804-054C2-18	CP14806-SS2-22		
502-051H2-2	804-054C2-20	CP14807-SS2-22		
502-052H2-2	804-088C2-18	CP14808-SS2-24		
502-053S2-2	816-159C2-18	CP14809-IENP2-24		
502-074S2-2	816-159C2-20	CP14810-NY2-24		
502-076D2-4	816-159C2-4	CP14810-NYB2-24		
502-097D2-18	816-183C2-2	CP14811-SS2-22		
502-098D2-18	816-186C2-14	CP14811-SS2-24		
502-099D2-20	817-124C2-2	CP14812-SS2-22		
502-105D2-2	818-306C3-2	CP14812-SS2-22		
508-994D2-10	818-326C2-16	CP14813-1-IENP2-22		
509-544H2-20	818-327C3-2	CP14813-IENP2-24		
510-003D2-16	818-328C3-2	CP14814-IENP2-24		
510-004V2-16	818-355C3-2	CP14815-IENP2-24		
510-006D2-16	818-363C3-2	CP14816-IENP2-24		
510-008S2-16	823-062C2-16	CP14817-SS2-24		
510-010D2-16	823-065C2-20	CP14819-SS2-22		
510-010V2-16	823-066C2-20	CP14926-I2-24		
510-011V2-16	823-067C2-20	CP14927-3-I2-22		
800-060C2-2	823-068C2-16	CP14927-I2-24		
800-124C2-2	823-069C2-16	CP14933-SS2-22		
800-125C2-2	823-077C2-14	CP14933-SS2-24		
800-126C2-4	823-078C2-14	CP15161-I2-22		
800-129C2-16	823-079C2-14	CP15162-SS2-22		
800-132C2-18	823-080C2-14	CP15163-NYB2-22		
800-132C2-2	823-081C2-14	CP15164-NYB2-22		
800-132C2-20	823-085C2-14	CP15165-NYB2-22		
800-133C2-10	823-099C2-14	CP15166-I2-22		
800-133C2-12	823-099C2-18	CP15168-IENP2-22		
800-133C2-6	829-002C2-20	CP15169-SS2-22		
800-133C2-8	829-016C2-20	CP15170-IENP2-22		
800-144C2-2	829-020C2-18	CP21672-1-PPB2-24		
801-003C2-20	829-020C2-24	CP21673-SS2-24		
801-012C2-16	829-022C2-20	CP21674-SS2-24		
801-016C2-18	829-023C2-20	CP25678-SS2-24		
801-030C2-2	829-026C2-22				
801-060C2-16	830-021C2-20				
801-073C2-2	830-026C2-18				
801-074C2-18	830-042C2-20				
802-004C2-14	830-070C2-18				
802-004C2-18	830-070C2-2				
		830-070C2-20				
		830-110C2-18				

Foam Generator Cylinder Assembly



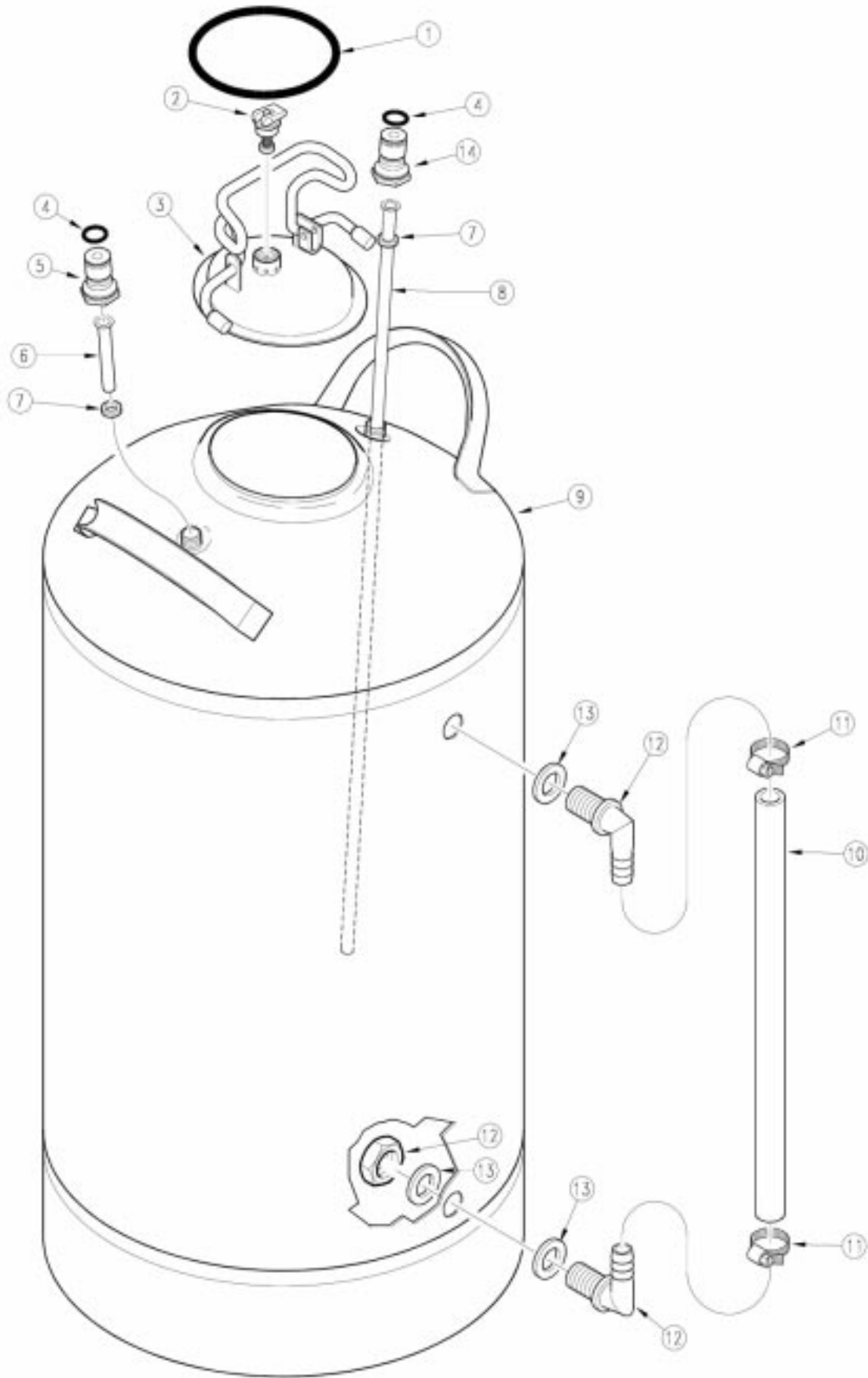
11962

Foam Generator Cylinder Assembly

Ref.	Part No.	Part Description	Comments
1.	990-096R	HOSE 1 1/2 ID 45 PSI SUCTION	
2.	800-125C	CLAMP WRM DRV#28 SS(1.31-2.25)	
3.	830-133C	EL 1 1/2MNPT X 1 1/2HB POLYP	
4.	800-144C	CLAMP WRM DRV #40 SS (2.06-3)	
5.	816-183C	BOOT - FOAM MARKER W/ CLAMPS	
6.	890-303C	SOCK - FOAM MARKER BOOT	
7.	990-088R	HOSE 1/4 ID X 3/8 OD CLEAR PVC	
8.	830-110C	EL 1/4MNPT X 1/4HB POLYPROP	
9.	800-060C	CABLE TIE .19X14.25 3DIA 50LB	
10.	830-070C	AD 1/4MNPT X 1/4HB POLYPROP	
11.	502-074S	FOAM GENERATION ASSY	
12.	801-073C	SCREW CS 6-32X3/4	
13.	817-124C	T-CLIP - 3/8 OD HOSE	
14.	502-052H	FOAM MARKER HOSE CLIP BRACKET	
15.	502-105D	STRAP - FOAM GEN. CYL. BRACKET	
16.	803-187C	NUT HEX WHIZ 1/4-20 18-8 SS	
17.	801-030C	SFHMS 1/4-20 X 3/4	
18.	502-051H	FOAM GEN CYL BRACKET WDMT	
19.	800-124C	CLAMP WRM DRV #24 SS (1.06-2)	
20.	800-132C	CLAMP EASY SEAL #26(.405-.468)	
21.	502-053S	FOAM GENERATION CYLINDER ASSY	Includes items 1 thru 6, 8 & 10.

Legend: ● = 1st revision; ● = 2nd revision; ● = 3rd revision; ● = use up existing stock; ⊗ = not interchangeable; ⊗ ① ● = for example: revision 2 is not interchangeable w/revision 1

Foam Marker Tank Assembly



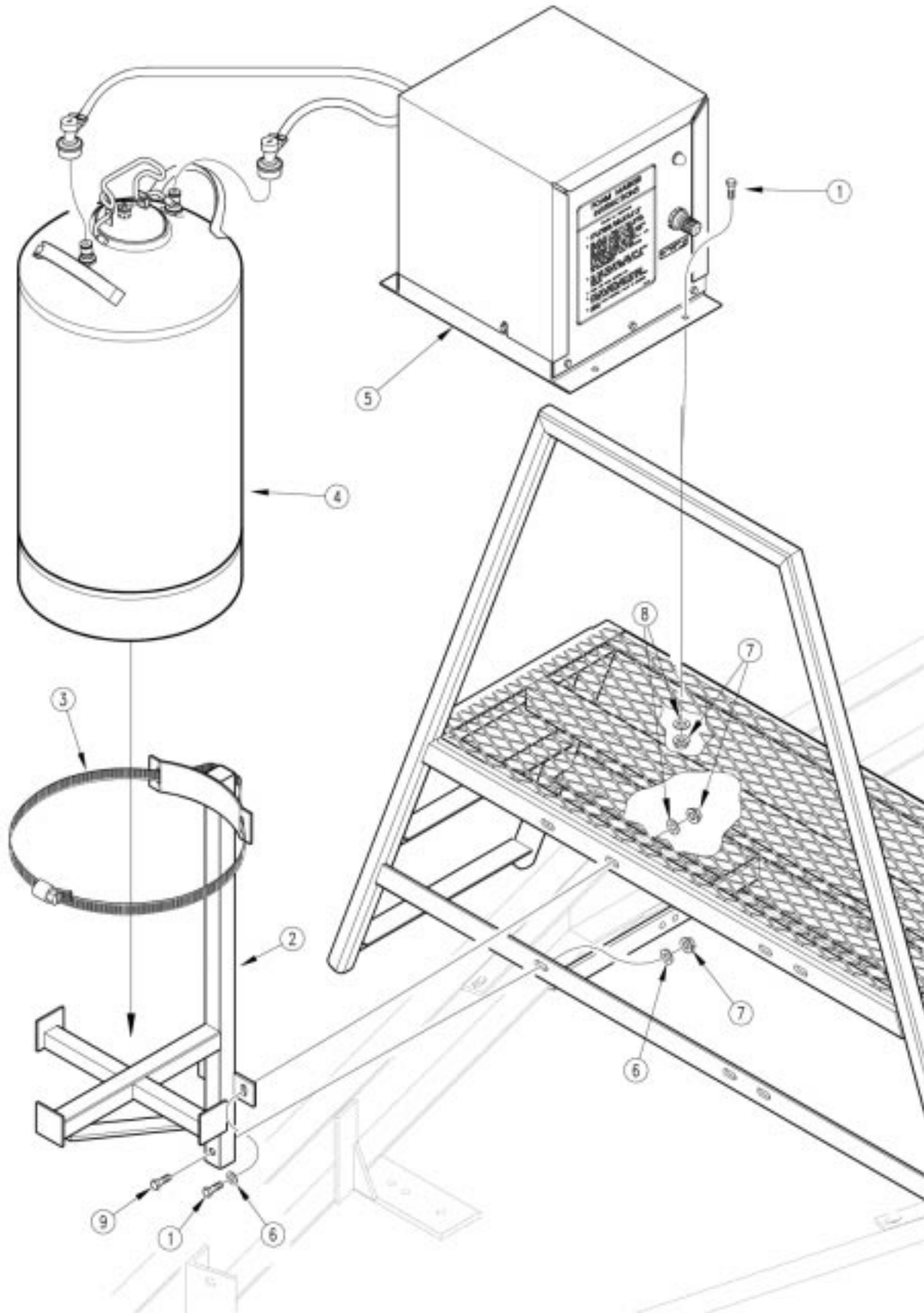
11464

Foam Marker Tank Assembly

Ref.	Part No.	Part Description	Comments
1.	36082	SPARTANBURG LID GASKET	
2.	39513	SPARTANBURG PURGE DEVICE	
3.	39567P	SPARTANBURG SS OVAL LID&PURGE	
4.	36518	SPARTANBURG EXTERNAL O-RING	
5.	35617	SPARTANBURG INLET PLUG ASSY	
6.	39587	SPARTANBURG LEVEL TUBE	
7.	36515	SPARTANBURG O-RING DIP TUBE	
8.	34081	SPARTANBURG DIP TUBE	
9.	502-076D	10-GAL FOAMER TANK	
10.	990-087R	HOSE 1/2 ID X 1/8 WL CLEAR PVC	
11.	800-126C	CLAMP WRM DRV #5 SS (.44-.70)	
12.	830-224C	SP EL 11/16-16 X 1/2 HB NYLON	
13.	816-159C	WASHER - 3/4 GARDEN HOSE	
14.	36516	SPARTANBURG OUTLET PLUG ASSY	

Legend: ● = 1st revision; ● = 2nd revision; ● = 3rd revision; ● = use up existing stock; ⊗ = not interchangeable; ⊗ ① ● = for example: revision 2 is not interchangeable w/revision 1

Single Axle Sprayer Foam Marker Mounting Assembly



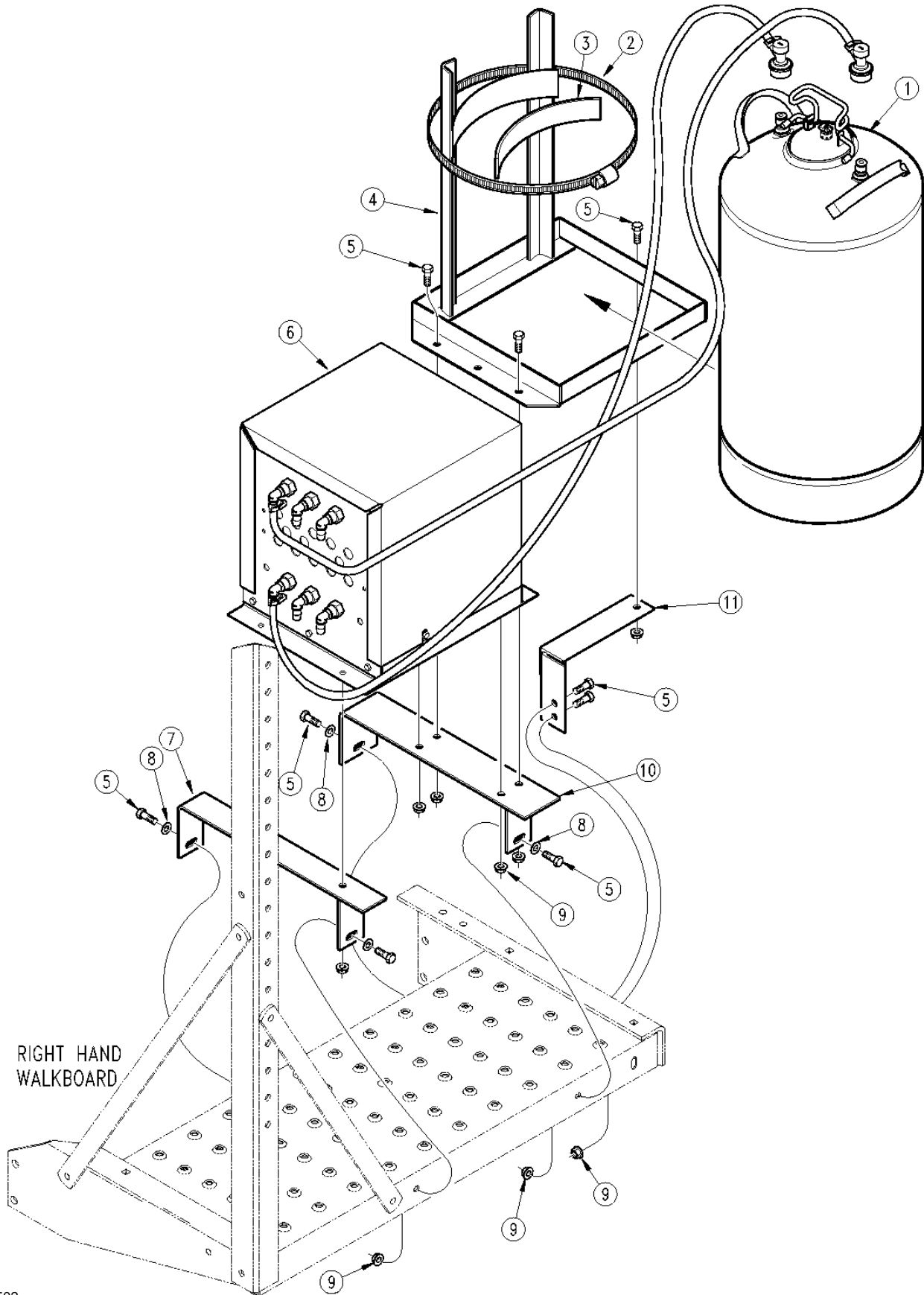
12379

Single Axle Sprayer Foam Marker Mounting Assembly

Ref.	Part No.	Part Description	Comments
1.	802-017C	HHCS 3/8-16X1 GR5	
2.	502-043H	SA FOAM TANK FRAME WELDMENT	
3.	800-133C	CLAMP WRM DRV #63248 (2.5-16)	
4.	502-048S	FOAM MARKER 10 GA TANK ASSY	Refer to page 2-3 for breakdown.
5.	502-003K	FOAM MARKER PUMP & VALVE BOX	Refer to page 2-13 for breakdown.
6.	804-012C	WASHER FLAT 3/8 SAE PLT	
7.	803-068C	NUT HEX FLANGE 3/8-16 PLT	
8.	804-011C	WASHER FLAT 3/8 USS PLT	
9.	802-143C	HHCS 3/8-16X2 GR5	

Legend: ① = 1st revision; ② = 2nd revision; ③ = 3rd revision; ● = use up existing stock; ⊗ = not interchangeable; ⊗ ① ② = for example: revision 2 is not interchangeable w/revision 1

Tandem Axle Sprayer Foam Marker Mounting Assembly



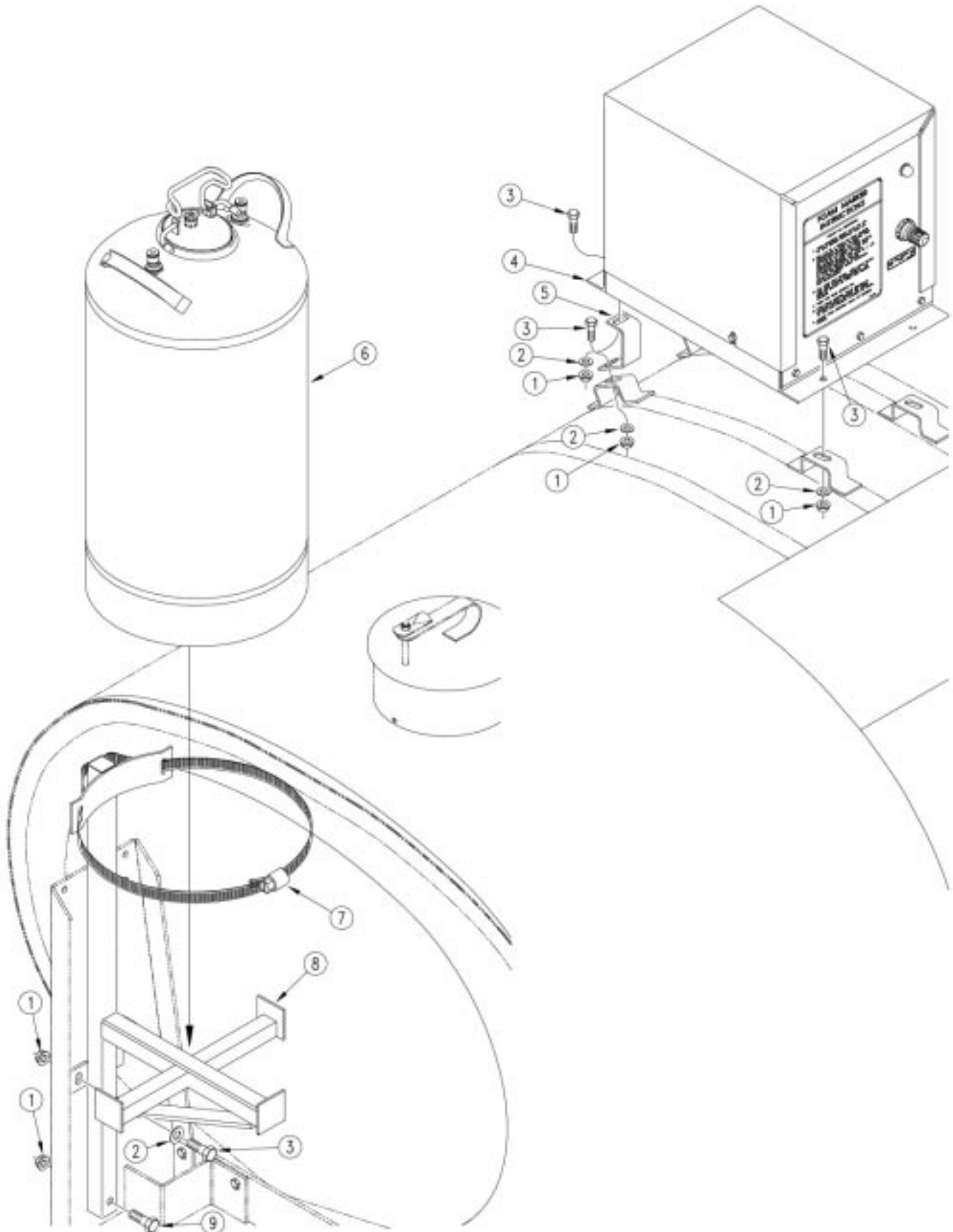
11502

Tandem Axle Sprayer Foam Marker Mounting Assembly

Ref.	Part No.	Part Description	Comments
1.	502-048S	FOAM MARKER 10 GA TANK ASSY	Refer to page 2-3 for breakdown.
2.	800-133C	CLAMP WRM DRV #63248 (2.5-16)	
3.	990-075R	SEAL 3/16 X 1 1/2 FOAM RUBBER	Refer to page 2-13 for breakdown.
4.	502-041H	10 GAL. TA TANK BASE WELDMENT	
5.	802-017C	HHCS 3/8-16X1 GR5	
6.	502-003K	FOAM MARKER PUMP & VALVE BOX	
7.	501-010H	REAR LEG BRKT WELD	
8.	804-012C	WASHER FLAT 3/8 SAE PLT	
9.	803-068C	NUT HEX FLANGE 3/8-16 PLT	
10.	502-009H	BRACKET - FOAM MARKER FRONT	
11.	502-042H	FRONT ANGLE WELDMENT	

Legend: ● = 1st revision; ● = 2nd revision; ● = 3rd revision; ● = use up existing stock; ⊗ = not interchangeable; ⊗ ① ● = for example: revision 2 is not interchangeable w/revision 1

Tractor Mount Sprayer Foam Marker Mounting Assembly



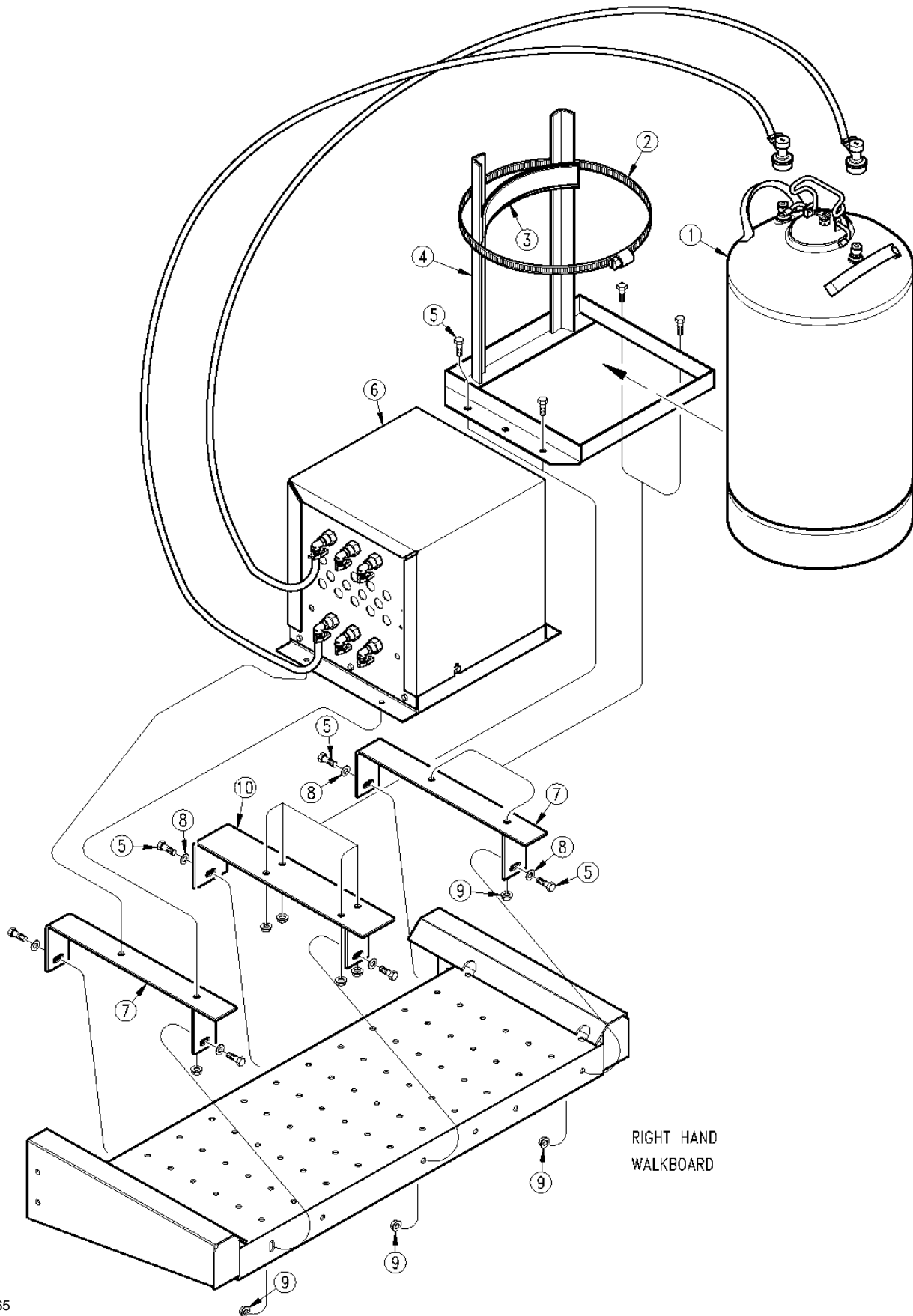
12013

Tractor Mount Sprayer Foam Marker Mounting Assembly

Ref.	Part No.	Part Description	Comments
1.	803-068C	NUT HEX FLANGE 3/8-16 PLT	
2.	804-012C	WASHER FLAT 3/8 SAE PLT	
3.	802-017C	HHCS 3/8-16X1 GR5	
4.	502-003K	FOAM MARKER PUMP & VALVE BOX	Refer to page 2-13 for breakdown.
5.	508-994D	TM SUPPORT FOAM MARKER	
6.	502-048S	FOAM MARKER 10 GA TANK ASSY	Refer to page 2-3 for breakdown.
7.	800-133C	CLAMP WRM DRV #63248 (2.5-16)	
8.	502-043H	SA FOAM TANK FRAME WELDMENT	
9.	802-143C	HHCS 3/8-16X2 GR5	

Legend: ● = 1st revision; ● = 2nd revision; ● = 3rd revision; ● = use up existing stock; ⊗ = not interchangeable; ⊗ ① ● = for example: revision 2 is not interchangeable w/revision 1

3-Point Mounted Sprayer Foam Marker Mounting Assembly



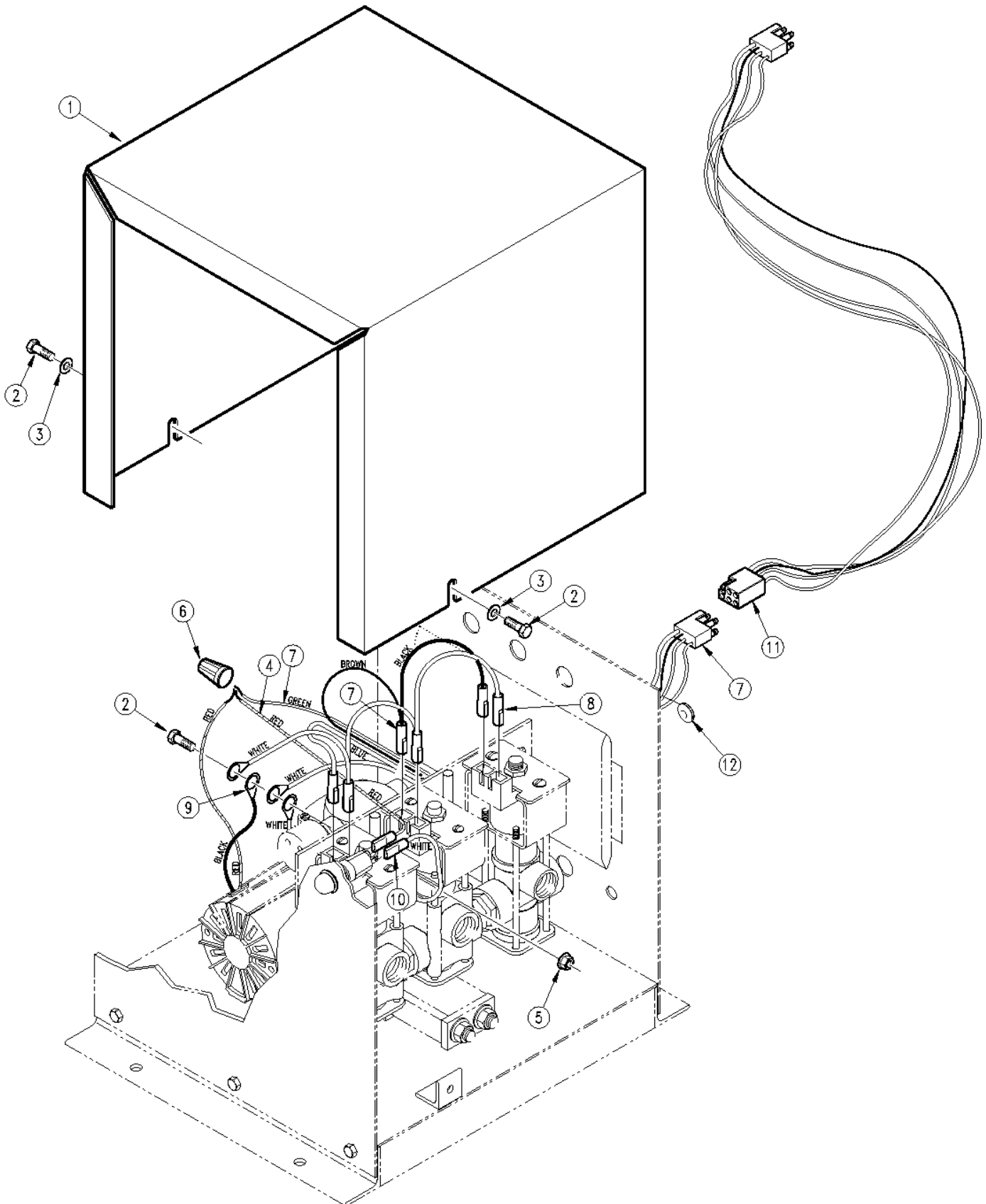
13265

3-Point Mounted Sprayer Foam Marker Mounting Assembly

Ref.	Part No.	Part Description	Comments
1.	502-048S	FOAM MARKER 10 GA TANK ASSY	Refer to page 2-3 for breakdown.
2.	800-133C	CLAMP WRM DRV #63248 (2.5-16)	
3.	990-075R	SEAL 3/16 X 1 1/2 FOAM RUBBER	Refer to page 2-13 for breakdown.
4.	502-041H	10 GAL. TA TANK BASE WELDMENT	
5.	802-017C	HHCS 3/8-16X1 GR5	
6.	502-003K	FOAM MARKER PUMP & VALVE BOX	
7.	502-010H	BRACKET - FOAM MARKER REAR	
8.	804-012C	WASHER FLAT 3/8 SAE PLT	
9.	803-068C	NUT HEX FLANGE 3/8-16 PLT	
10.	502-009H	BRACKET - FOAM MARKER FRONT	

Legend: ● = 1st revision; ● = 2nd revision; ● = 3rd revision; ● = use up existing stock; ⊗ = not interchangeable; ⊗ ① ● = for example: revision 2 is not interchangeable w/revision 1

Wiring Assembly



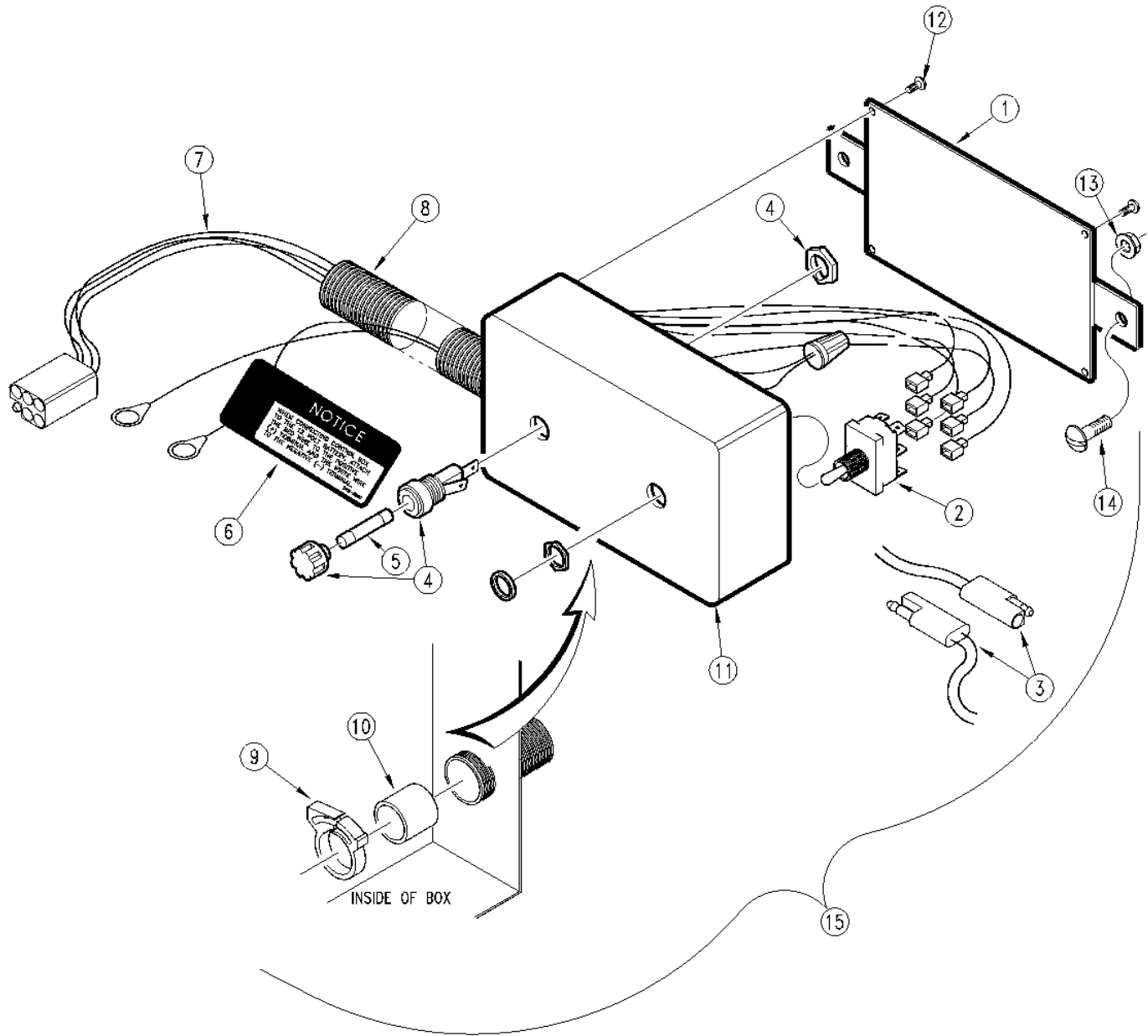
11459

Wiring Assembly

Ref.	Part No.	Part Description	Comments
1.	502-044H	FOAM MARKER BOX LID WELDMENT	
2.	802-004C	HHCS 1/4-20X3/4 GR5	
3.	804-007C	WASHER FLAT 1/4 SAE PLT	
4.	823-079C	FOAM MARKER LIGHT HOT WIRE	
5.	803-194C	NUT HEX WHIZ 1/4-20 PLT	
6.	823-081C	WIRE CONNECTOR	
7.	823-077C	FOAM MARKER WIRING HARNESS	
8.	823-080C	FOAM MARKER SOLENOID GD JUMPER	
9.	823-099C	RING TONGUE TERMINAL 5/16 DIA	
10.	823-078C	FOAM MARKER LIGHT GROUND WIRE	
11.	823-085C	EXTENSION CORD	
12.	816-186C	GROMMET-7/16 GROOVE DIA X 1/4 ID	

Legend: ● = 1st revision; ● = 2nd revision; ● = 3rd revision; ● = use up existing stock; ⊗ = not interchangeable; ⊗ ① ● = for example: revision 2 is not interchangeable w/revision 1

Foam Marker Switchbox



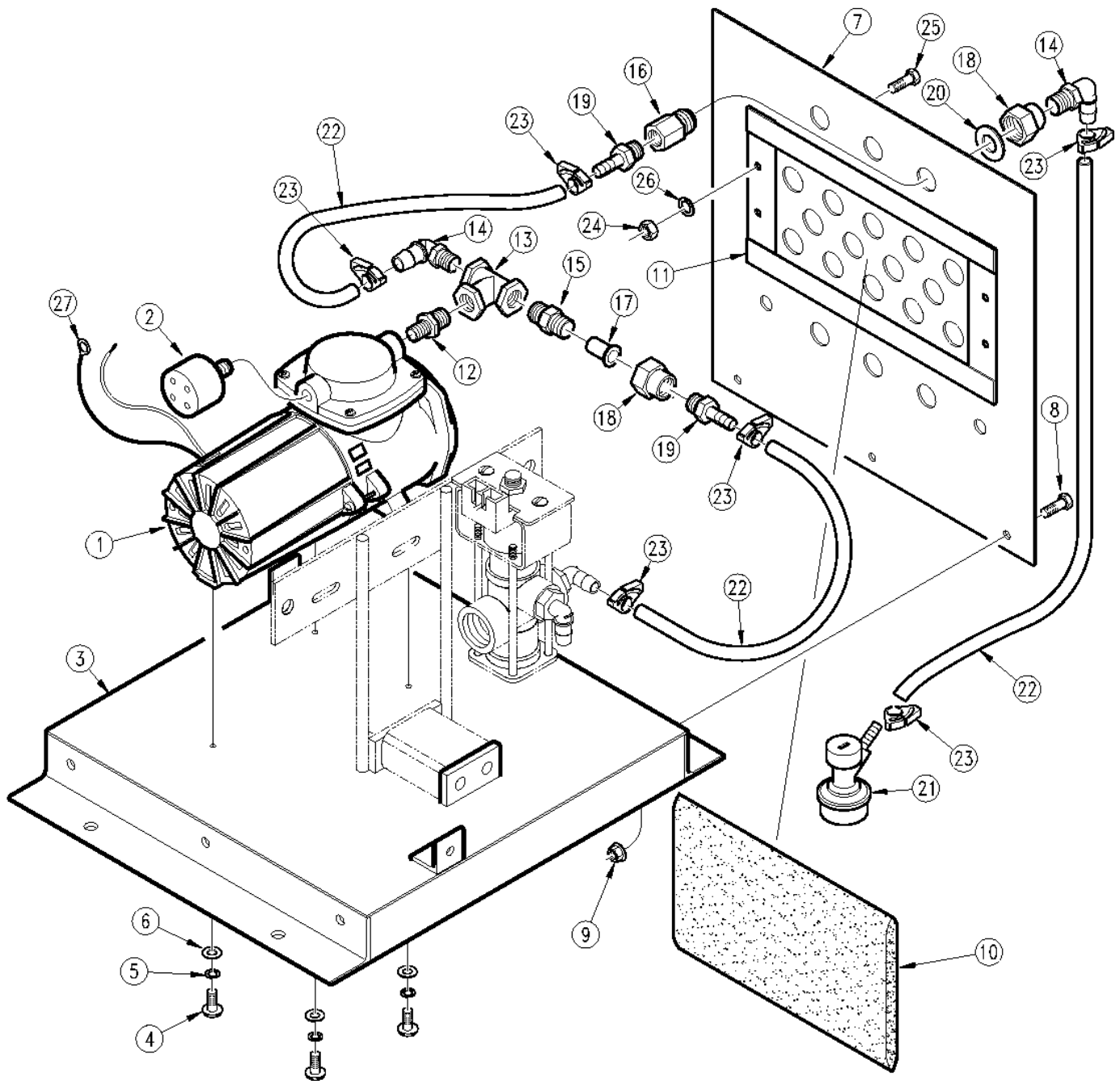
11980

Foam Marker Switchbox

Ref.	Part No.	Part Description	Comments
1.	510-010V	SWITCH BOX COVER - FOAM MARKER	
2.	823-062C	SWITCH DPDT MCGILL #0121-0010	
3.	510-004V	BATTERY LEADS - CONTROL BOX	
4.	823-068C	FUSEHOLDER LITTLEFUUSE #342838A	
5.	823-069C	FUSE-20 AMP LITTLEFUUSE #313020	
6.	818-326C	DECAL CONTROL BOX POWER LEADS	
7.	510-011V	ELEC WIRING FOAM CONTROL BOX	
8.	⊗ 990-158R	SLIT CONVOLUTED TUBING PE 3/4	
	● ① 510-003D	OBSOLETE REPLACED BY 990-158R	
9.	800-129C	CLAMP EASY SL #62 (.953-1.093)	
10.	⊗ 990-159R	PIPE PVC 1/2 ID SDR-21	
	● ① 510-006D	OBSOLETE REPLACED BY 990-159R	
11.	510-010D	CONTROL BOX - 3 3/4 X 6 1/4	
12.	801-060C	SP HMS 4-40 X 1/2 PLT	
13.	803-194C	NUT HEX WHIZ 1/4-20 PLT	
14.	801-012C	SCREW PAN HD 1/4-20X5/8 LG	
15.	510-008S	SWITCH BOX - FOAM MARKER	Includes items 1 thru 14.

Legend: ● = 1st revision; ⊗ = 2nd revision; ⊗ = 3rd revision; ● = use up existing stock; ⊗ = not interchangeable; ⊗ ① ● = for example: revision 2 is not interchangeable w/revision 1

Compressor Assembly



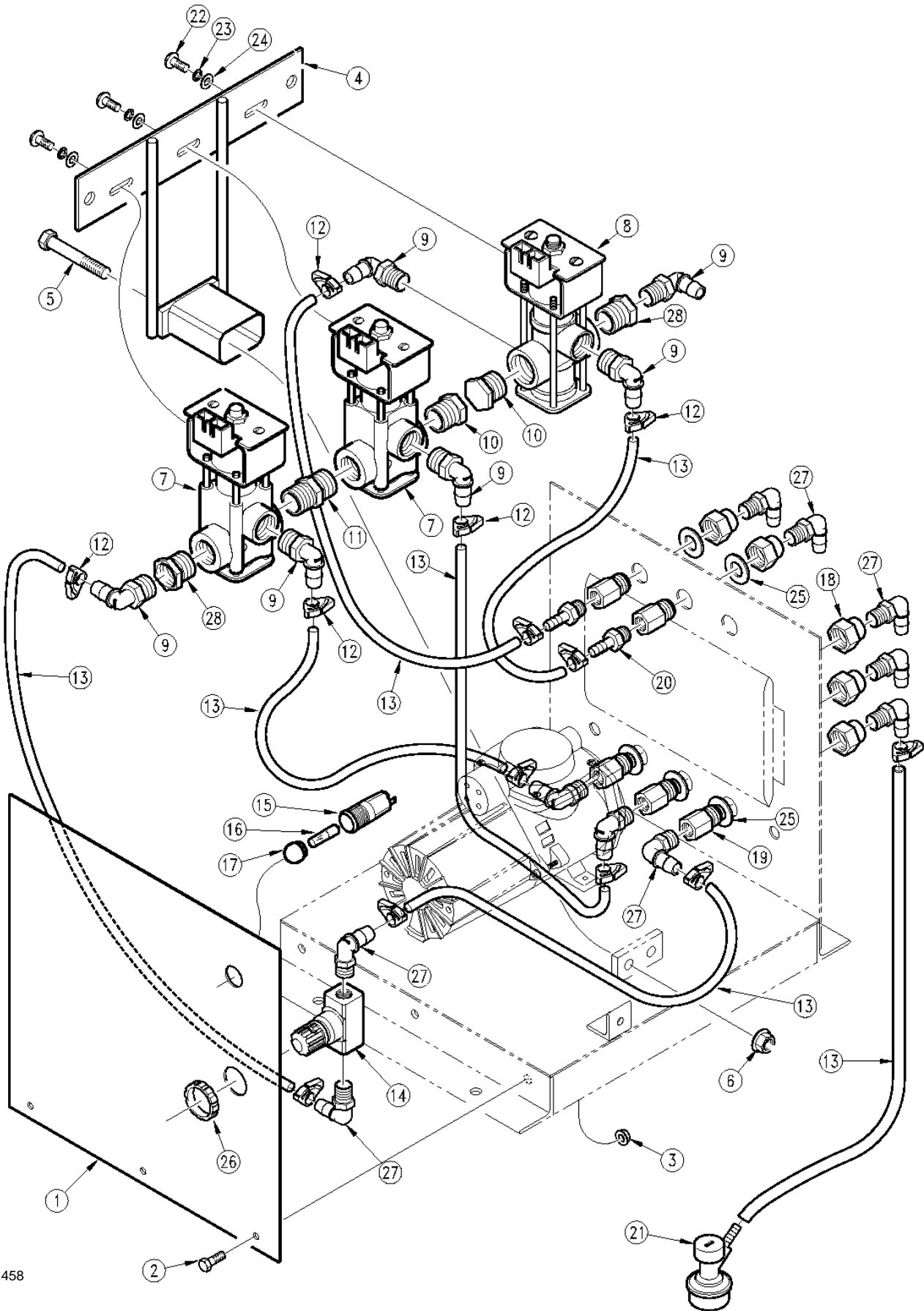
11457

Compressor Assembly

Ref.	Part No.	Part Description	Comments
1.	831-005C	PUMP DIAPHRAM AIR COMPRESSOR	
2.	831-006C	PUMP FILTER - DIAPHRAM AIR CMP	
3.	502-038H	FRAME WELDMENT - 10 GAL.	
4.	801-016C	SCREW RD HD 8-32 X 1/2 LG PLT	
5.	804-043C	WASHER LOCK #8	
6.	804-088C	WASHER FLAT #8 SAE PLT	
7.	502-098D	REAR PANEL - FOAM MARKER BOX	
8.	802-004C	HHCS 1/4-20X3/4 GR5	
9.	803-194C	NUT HEX WHIZ 1/4-20 PLT	
10.	502-097D	FILTER - FOAM MARKER BOX	
11.	502-045H	FILTER CLAMP WELDMENT	
12.	830-204C	AD 1/4MNPT X 1/8MNPT SS	
13.	830-026C	TEE 1/4FNPT POLYPROP	
14.	830-110C	EL 1/4MNPT X 1/4HB POLYPROP	
15.	830-194C	SP 1/4MNPT X 11/16-16 UN-2A	
16.	830-191C	SP 1/4FNPT X 11/16-16 UN-2A	
17.	829-020C	VALVE - CHECK POLYPROP	
18.	830-203C	SP 1/4FNPT X 11/16-16 UN-2B	
19.	830-070C	AD 1/4MNPT X 1/4HB POLYPROP	
20.	816-159C	WASHER - 3/4 GARDEN HOSE	
21.	830-195C	CP SP X 1/4 HB INLET	
22.	990-088R	HOSE 1/4 ID X 3/8 OD CLEAR PVC	
23.	800-132C	CLAMP EASY SEAL #26(.405-.468)	
24.	803-001C	NUT HEX 10-24 PLT	
25.	801-074C	SCREW RD HD SLT 10-24X3/8 PLT	
26.	804-054C	WASHER LOCK #10	
27.	823-099C	RING TONGUE TERMINAL 5/16 DIA	

Legend: ● = 1st revision; ● = 2nd revision; ● = 3rd revision; ● = use up existing stock; ⊗ = not interchangeable; ⊗ ① ● = for example: revision 2 is not interchangeable w/revision 1

Plumbing Assembly



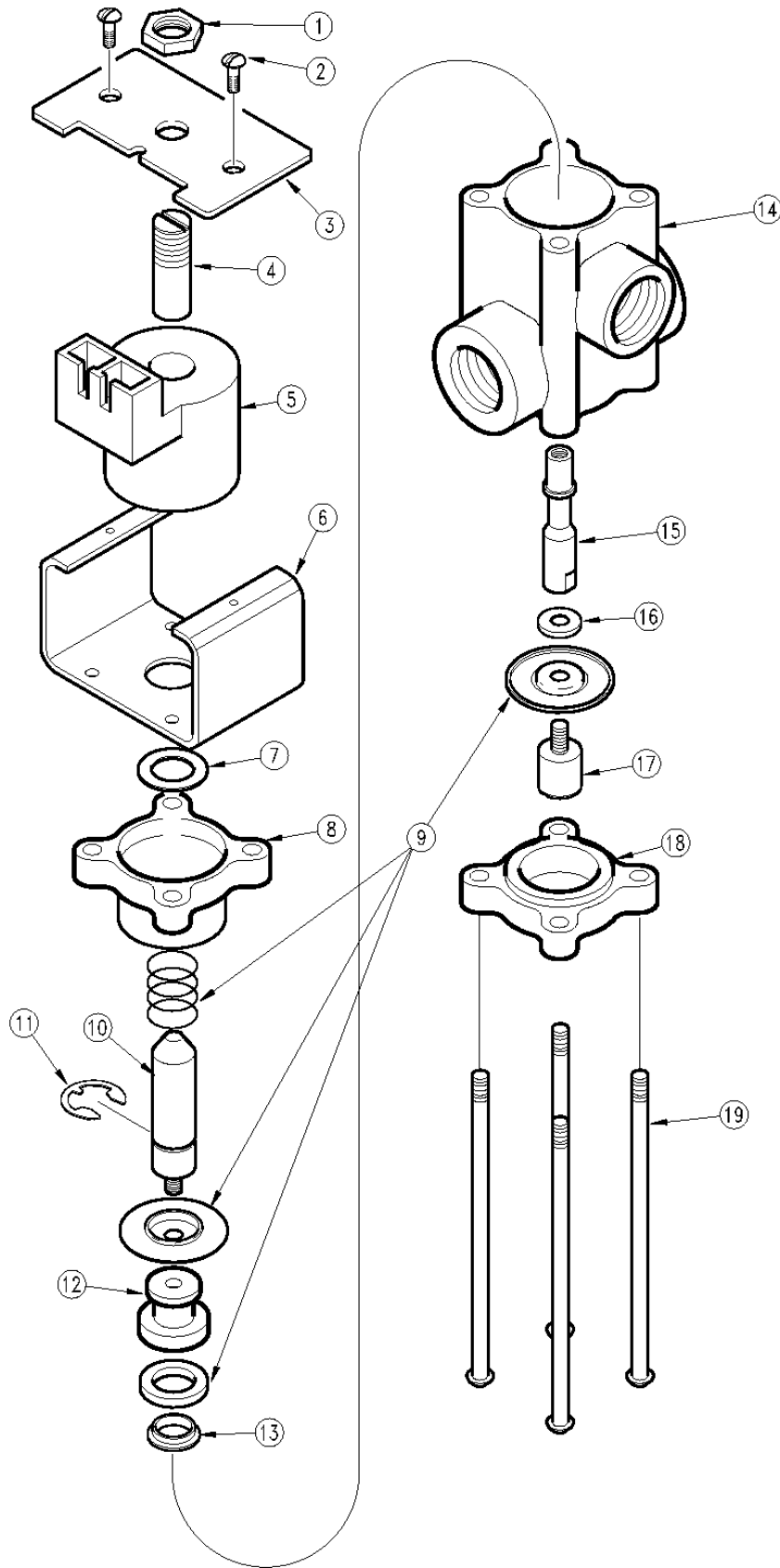
11458

Plumbing Assembly

Ref.	Part No.	Part Description	Comments
1.	502-099D	FRONT PANEL - FOAM MARKER BOX	
2.	802-004C	HHCS 1/4-20X3/4 GR5	
3.	803-194C	NUT HEX WHIZ 1/4-20 PLT	
4.	509-544H	SOLENOID BRACKET WELD III	
5.	802-147C	HHCS 3/8-16X3 1/2 GR5	
6.	803-068C	NUT HEX FLANGE 3/8-16 PLT	
7.	829-016C	VALVE ELEC SOLENOID #AA144A-1	Refer to page 2-21 for breakdown.
8.	829-002C	VALVE ELEC BYPASS 3 WAY	Refer to page 2-23 for breakdown.
9.	830-117C	EL 1/2MNPT X 1/4HB POLYPROP	
10.	830-021C	PL 3/4MNPT POLYPROP	
11.	830-042C	AD 3/4MNPT POLYPROP	
12.	800-132C	CLAMP EASY SEAL #26(.405-.468)	
13.	990-088R	HOSE 1/4 ID X 3/8 OD CLEAR PVC	
14.	829-022C	VALVE - NEEDLE #4891K72	
15.	823-065C	LIGHT SOCKET - SYLVANIA #31099	
16.	823-067C	LIGHT BULB - SYLVANIA #12MB	
17.	823-066C	LENS - LIGHT - SYLVANIA #30120	
18.	830-203C	SP 1/4FNPT X 11/16-16 UN-2B	
19.	830-191C	SP 1/4FNPT X 11/16-16 UN-2A	
20.	830-070C	AD 1/4MNPT X 1/4HB POLYPROP	
21.	830-201C	CP SP X 1/4 HB OUTLET	
22.	801-003C	SCREW RD HD SLT 10-24X1/2 PLT	
23.	804-054C	WASHER LOCK #10	
24.	804-046C	WASHER FLAT #10 SAE PLT	
25.	816-159C	WASHER - 3/4 GARDEN HOSE	
26.	829-023C	PANEL NUT FOR NEEDLE VALVE	
27.	830-110C	EL 1/4MNPT X 1/4HB POLYPROP	
28.	830-140C	AD 3/4MNPT X 1/2FNPT POLYPROP	

Legend: ● = 1st revision; ● = 2nd revision; ● = 3rd revision; ● = use up existing stock; ⊗ = not interchangeable; ⊗ ① ● = for example: revision 2 is not interchangeable w/revision 1

Electric Solenoid Valve (826-016C)



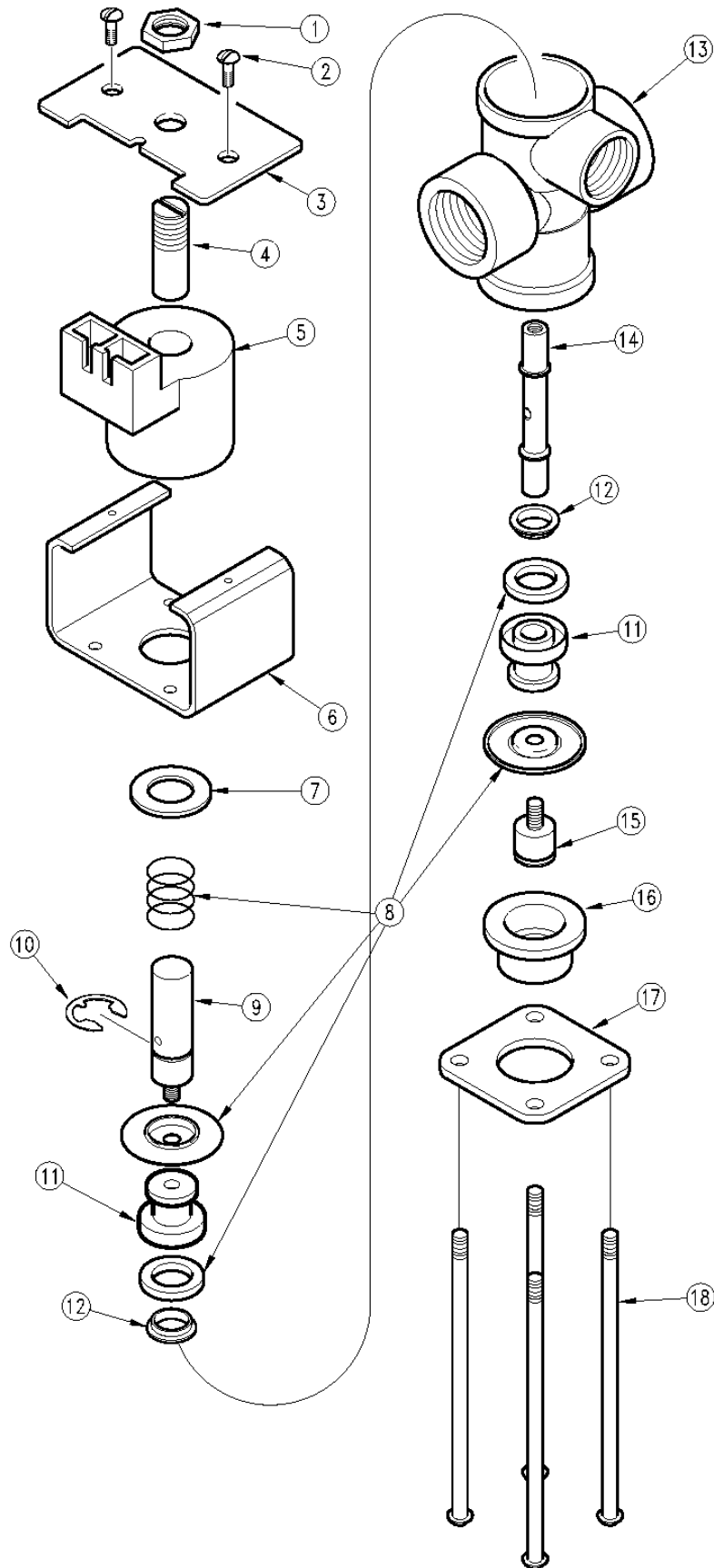
11461

Electric Solenoid Valve (826-016C)

Ref.	Part No.	Part Description	Comments
1.	CP15168-IENP	SPRAYING SYS JAM NUT, STEEL	
2.	CP14933-SS	SPRAYING SYS SHORT SCREW SS	
3.	CP15166-I	SPRAYING SYS COIL COVER	
4.	CP15161-I	SPRAYING SYS ARMATURE STOP	
5.	CP15163-NYB	SPRAYING SYS COIL ASSEMBLY	
6.	CP14927-3-I	SPRAYING SYS STRAP, STEEL	
7.	CP15169-SS	SPRAYING SYS WASHER SS	
8.	CP15164-NYB	SPRAYING SYS DIAPH HOUS UPPER	
9.	829-026C	PARTS KIT - 144A-1 SOLENOID	Includes items shown.
10.	CP15170-IENP	SPRAYING SYS ARMATURE, STEEL	
11.	CP14813-1-IENP	SPRAYING SYS RETAINING RING	
12.	CP14807-SS	SPRAYING SYS WASHER RETAINER	
13.	CP14811-SS	SPRAYING SYS SPACER SS	
14.	CP14801-PPB	SPRAYING SYS BODY POLYPROP	
15.	CP14812-SS	SPRAYING SYS STEM SS	
16.	CP14806-SS	SPRAYING SYS WASHER SS	
17.	CP15162-SS	SPRAYING SYS LOW DIAPH PISTON	
18.	CP15165-NYB	SPRAYING SYS LOWER DIAPH HOUS	
19.	CP14819-SS	SPRAYING SYS SCREW SS	

Legend: ● = 1st revision; ● = 2nd revision; ● = 3rd revision; ● = use up existing stock; ⊗ = not interchangeable; ⊗ ① ● = for example: revision 2 is not interchangeable w/revision 1

Solenoid Valve Assembly 3-Way (829-002C)



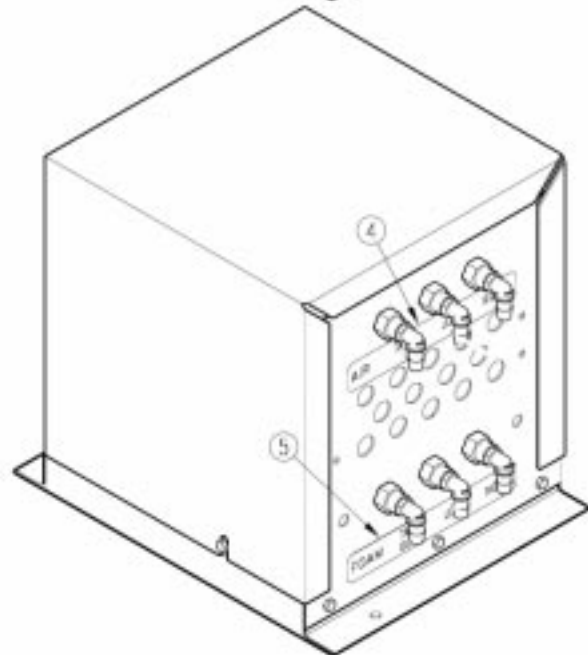
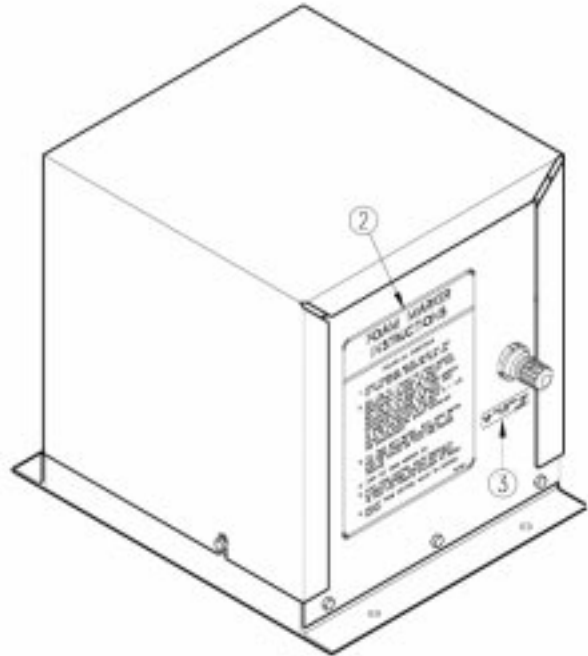
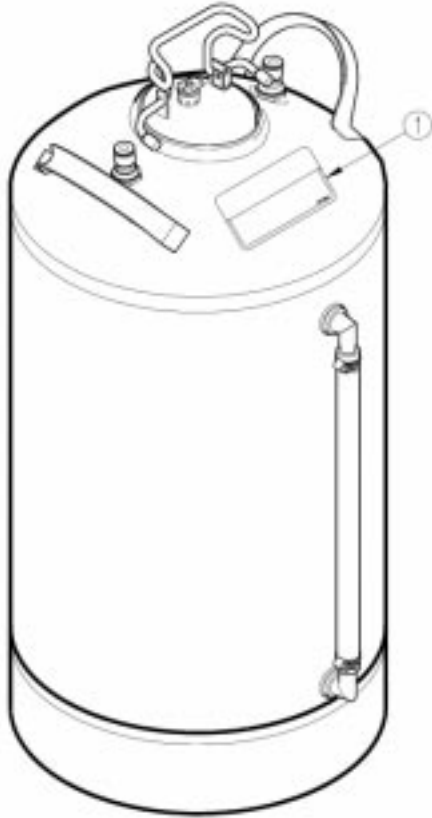
12394

Solenoid Valve Assembly 3-Way (829-002C)

Ref.	Part No.	Part Description	Comments
1.	CP14814-IENP	SPRAYING SYS NUT JAM PLT	
2.	CP14933-SS	SPRAYING SYS SHORT SCREW SS	
3.	CP14926-I	SPRAYING SYS COIL COVER	
4.	CP14809-IENP	SPRAYING SYS ARMATURE STOP	
5.	⊗ CP14810-NY	SSC COIL ASB-NYLON	
	● ① CP14810-NYB	REPBY CP14810-NY	
6.	CP14927-I	SPRAYING SYS STRAP	
7.	CP14816-IENP	SPRAYING SYS DIAPH HOUS UPPER	
8.	829-020C	VALVE - CHECK POLYPROP	
9.	CP14815-IENP	SPRAYING SYS ARMATURE	
10.	CP14813-IENP	SPRAYING SYS RETAINER RING	
11.	CP25678-SS	SPRAYING SYS SEAT WASH RETAIN	
12.	CP14811-SS	SPRAYING SYS SPACER SS	
13.	CP21672-1-PPB	SPRAYING SYS BODY POLYPROP	
14.	CP21674-SS	SPRAYING SYS STEM SS	
15.	CP14817-SS	SPRAYING SYS DIAPH PISTON LOW	
16.	CP14808-SS	SPRAYING SYS DIAPH HOUS LOWER	
17.	CP14804-1-I	SPRAYING SYS BOTTOM PLATE	
18.	CP21673-SS	SPRAYING SYS LONG SCREW SS	

Legend: ● = 1st revision; ⊗ = 2nd revision; ⊕ = 3rd revision; ● = use up existing stock; ⊗ = not interchangeable; ⊗ ① ● = for example: revision 2 is not interchangeable w/revision 1

Decal Placement



10225

Decal Placement

Ref.	Part No.	Part Description	Comments
1.	818-328C	DECAL FOAM TANK CAUTION	
2.	818-306C	DECAL FOAM MARKER INSTRUCTIONS	
3.	818-327C	DECAL FOAM CONTROL VALVE	
4.	818-355C	DECAL FOAM CONTROL BOX - AIR	
5.	818-363C	DECAL FOAM CONTROL BOX - FOAM	

Legend: ① = 1st revision; ② = 2nd revision; ③ = 3rd revision; ● = use up existing stock; ⊗ = not interchangeable; ⊗ ① ② = for example: revision 2 is not interchangeable w/revision 1