



## Yield-Pro® Planters Refuge Hopper Kit

Used with any YP Planter with 82 bushel hopper:

- YP1225/1625      • YP4025            • 3PYP
- YP1225A/1625A   • YP4025A        • 3PYPA
- YP2425            • YP4010HDP
- YP2425A         • YP4020P



*When you see this symbol, the subsequent instructions and warnings are serious - follow without exception. Your life and the lives of others depend on it!*

## General Information

These instructions explain how to install a Yield-Pro® Refuge Hopper Kit. One kit updates one planter hopper:

Kit	Kit Description
403-287A	Yield-Pro® Refuge Hopper Kit

### Tools Required

- silicone
- basic hand tools
- acetylene torch
- grinder
- tape measure

### Work Location

Move the implement to a flat location for installation.

### NOTICE

**Equipment Damage Risk:**

*Do not get close to plastic hopper or hoses when using a torch, plastic will melt and create holes.*

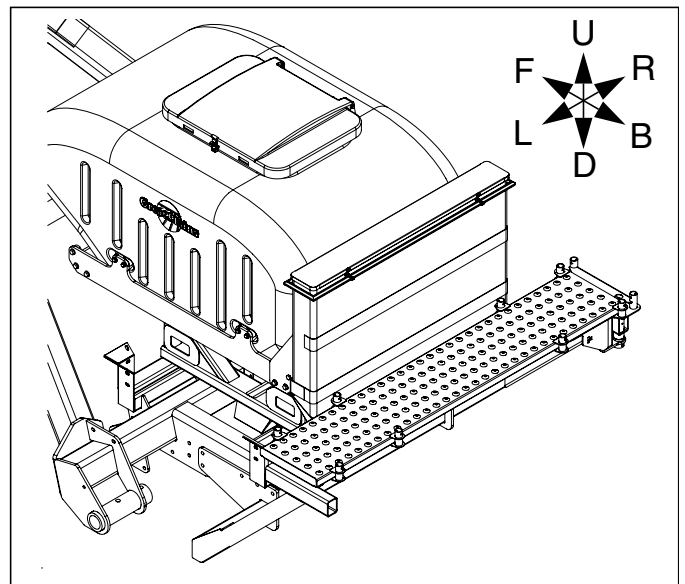
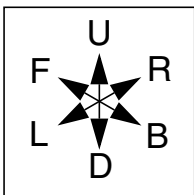


Figure 1  
Yield-Pro® Refuge Hopper Kit

31315

### Notations and Conventions



“Left” and “Right” are facing in the direction of machine travel. An orientation rose in the line art illustrations shows the directions of Left, Right, Front, Back, Up, Down.

### Call-Outs

- ① to ⑨ Single-digit callouts identify components in the currently referenced Figure. These numbers may be reused for different items from page to page.
- ⑪ to ⑲ Two-digit callouts in the range 11 to 19 reference new parts from the list on page 6.

## Replace Existing Airbox Cover

### **CAUTION**

#### **Heavy Load Hazard:**

The airbox weighs approximately 315 pounds. It will require more than one person to lift and install.

### Remove Old Airbox Cover

#### *Refer to Figure 2*

1. Remove airbox from machine.
2. Remove old airbox top ① by unbolting and pull off (save all fasteners).
3. Remove all parts and hardware from old top ① and install them on new top ②.

### Install New Airbox Cover

4. Clean off all old silicone on airbox.
5. Apply new silicone to airbox.
6. Install new top with 2 small inlets ③ (facing back) to airbox using fasteners saved from step 2.

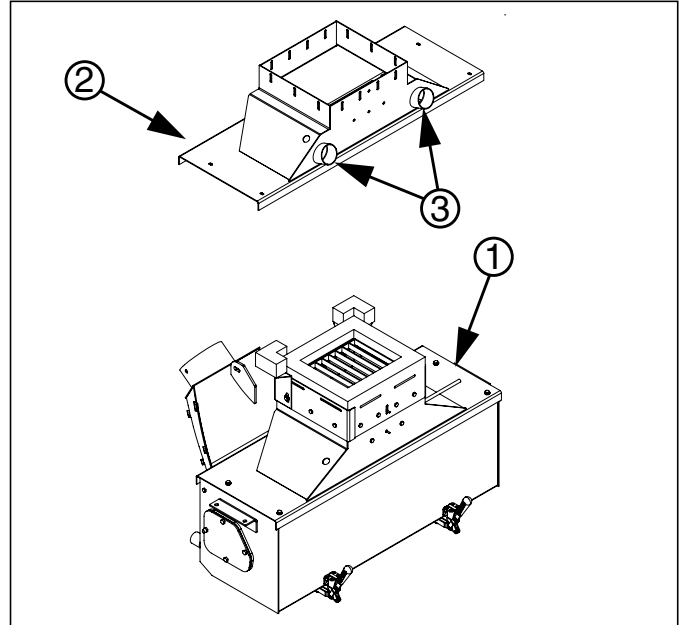


Figure 2  
Airbox Cover

31330

## Install Refuge Hopper

### **CAUTION**

#### **Heavy Load Hazard:**

The refuge hopper weighs approximately 170 pounds. It will require more than one person to lift and install.

#### **Refer to Figure 3**

7. Reinstall airbox to frame with existing hardware from step 1.
8. Swing walkboard out for easier access to install refuge hopper.
9. Remove hardware from hopper mount straps ④ on back of 82 bushel hopper.
10. Place bottom refuge hopper brackets ⑤ over planter frame.
11. Secure refuge hopper ⑥ with longer hardware supplied with kit on both sides of 82 bushel hopper mount straps ④.

Select 6 ea. bolts, nuts, flat washers, lock washers:

- ⑮ 802-057C HHCS 5/8-11X2 1/4 GR5
- ⑯ 803-021C NUT HEX 5/8-11 PLT
- ⑰ 804-021C WASHER FLAT 5/8 SAE PLT
- ⑱ 804-022C WASHER LOCK SPRING 5/8 PLT

12. Attach two seed hoses (with clamps) ⑦ to airbox inlets and refuge hopper outlets.

Note: For seed flow the gates have only two options, either open all the way or closed.

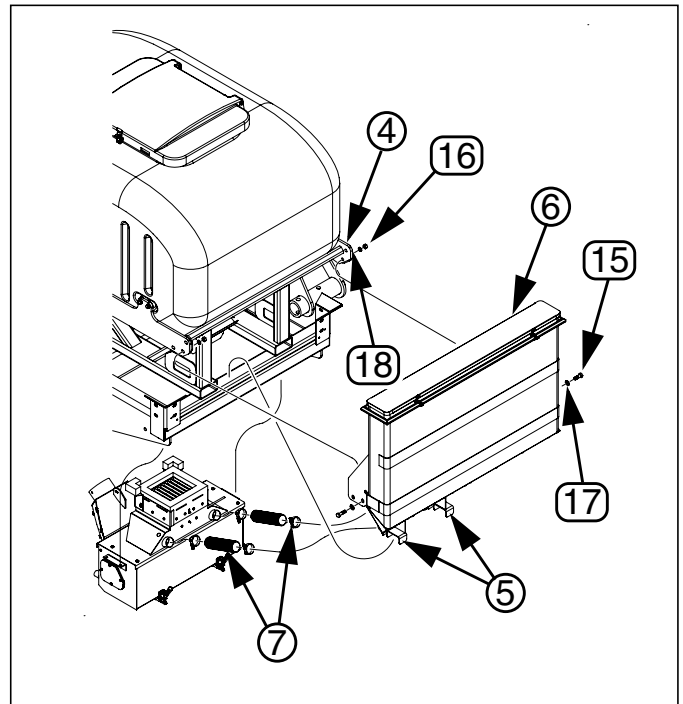


Figure 3  
Hopper Mounting

31329

## Adjust Walkboard

### Remove Walkboard Extension

Note: This applies to all planters except the YP2425 and YP2425A which have dual hoppers and the walkboard is not located at the rear.

*Refer to Figure 4*

13. Walkboard should still be swung out to side.
14. It is necessary to make room to fit the refuge hopper on the planter.

Using a torch cut off the smaller walkboard extension piece. (You will be cutting through the bracket that is welded to the bottom of both walkboard sections).

15. It is recommended to use a grinder to smooth the edges. Spray with aerosol spray paint to prevent rusting.

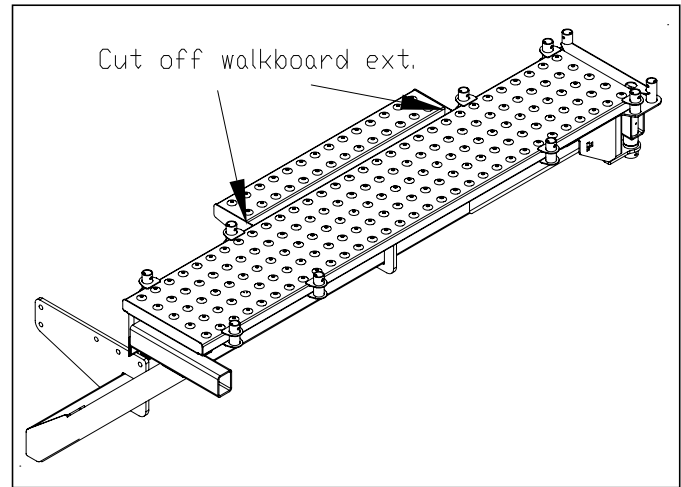


Figure 4  
Walkboard Extension

13128

### Move Walkboard Back 4<sup>3</sup>/<sub>4</sub> inches

*Refer to Figure 5*

16. To allow room for the refuge hopper, move the walkboard mount back 4<sup>3</sup>/<sub>4</sub> inches to back set of prepunched holes on the frame. Attach with existing hardware.

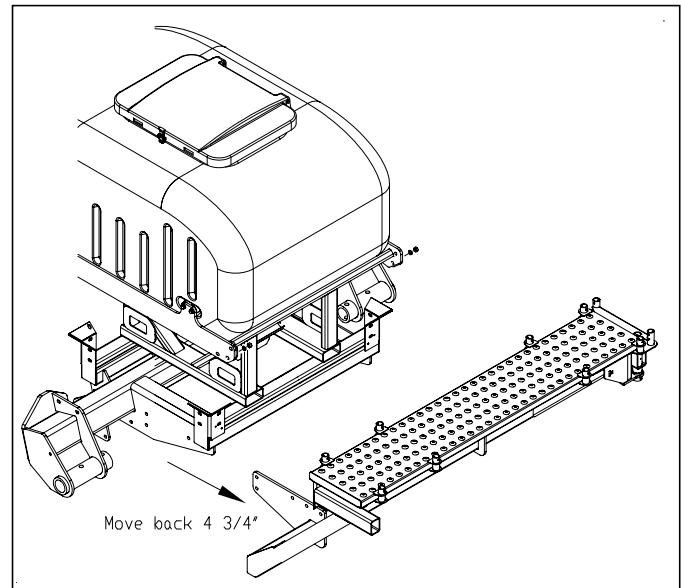


Figure 5  
Walkboard Set Back

31331

### Refuge Hopper Parts List

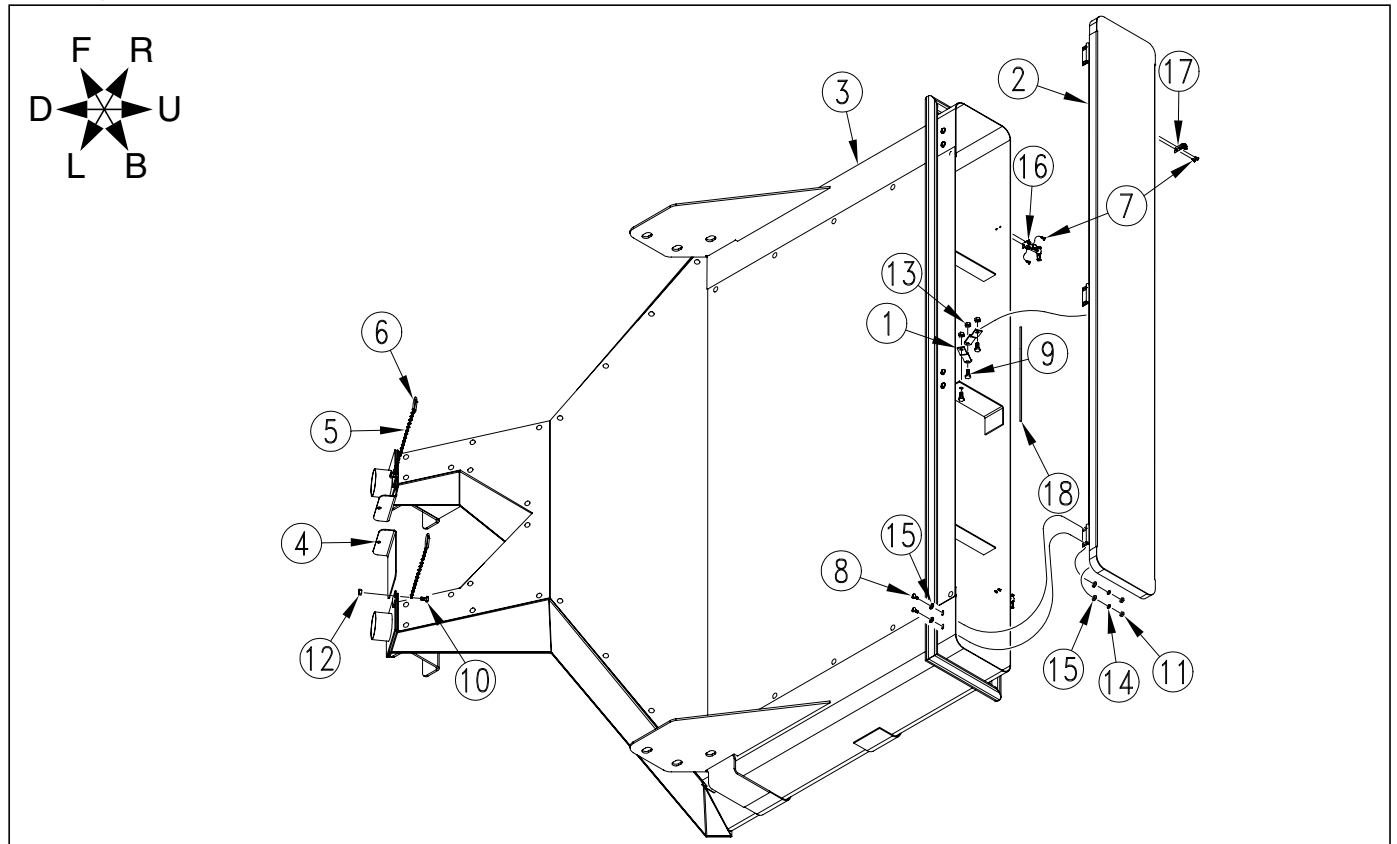


Figure 6  
Refuge Hopper

31332

Callout	Quantity	Part Number	Part Description
1	2	123-356D	10' EWNT SGS LID LATCH
2	1	403-288H	REFUGE HOPPER LID WELD
3	1	403-292H	YP REFUGE TANK WELDMENT
4	2	403-513D	REFUGE HOPPER GATE
5	2	502-060D	DUST PLUG CHAIN 10.
6	2	800-051C	RING, SPLIT 1-1/4 I.D
7	6	800-101C	RIVET POP 1/8X.265LG FLG
8	6	801-003C	SCREW RD HD SLT 10-24X1/2 P
9	3	802-078C	HHCS 1/4-20X5/8 GR5
10	2	802-283C	HHCS 1/4-20X1/2 GR2
11	6	803-001C	NUT HEX 10-24 PLT
12	2	803-006C	NUT-HEX 1/4-20 PL
13	3	803-007C	NUT-LOCK 1/4-20 PLT
14	6	804-004C	WASHER INTERNAL STAR #10 PL
15	10	804-046C	WASHER FLAT #10 SAE PLT +
16	1	816-004C	VINYL SEAL 3/8 X 1/2 (PER FT)
17	2	816-112C	RUBBER LATCH 37-11-065-10
18	2	816-113C	LATCH KEEPER 37-15-061-1

## Appendix

### Part Lists

#### New Parts

The part call-out numbers in this list match all Figures in these installation instructions. Part descriptions match those in your updated Parts Manual.

Quantities are units ("ea").

#### Kit Contents

403-287A Yield-Pro® Refuge Hopper Kit

Callout	Quantity	Part Number	Part Description
11	1	403-287M	YP REFUGE HOPPER KIT MANUAL
12	1	403-294L	YP REFUGE HOPPER ASSEMBLY
13	1	403-295H	YP REFUGE FILL TOP WELDMENT
14	4	800-399C	CLAMP WRM DRV (2.5-4.5)
15	6	802-057C	HHCS 5/8-11X2 1/4 GR5
16	6	803-021C	NUT HEX 5/8-11 PLT
17	6	804-021C	WASHER FLAT 5/8 SAE PLT
18	6	804-022C	WASHER LOCK SPRING 5/8 PLT
19	2	990-266R	HOSE 3 ID RF

#### Abbreviations

FLG	Flange
GR2	Grade 2
GR5	Grade 5
HD	Head
HEX	Hexagonal (6 sided)
HHCS	Hex Head Cap Screw (Bolt)
ID	Inside Diameter
LG	Long
OD	Outside Diameter

PL/PLT	Plated
RD	Round
RFH	Rubber Flexible Hose
SAE	Society of Automotive Engineers (standards)
SGS	Small Grass Seeds
SLT	Slotted
W/	With
X	by
YP	Yield-Pro®

### Great Plains Manufacturing, Inc.

Corporate Office P.O. Box 5060  
Salina, Kansas 67402-5060 USA