

Installation Instructions



3-Point No-Till Precision Seeding System Monitor System Option

Used with:

- 1510P and 1520P
- 2010P and 2020P
- 2410P and 2420P
- 2515P and 2520P



When you see this symbol, the subsequent instructions and warnings are serious - follow without exception. Your life and the lives of others depend on it!

General Information

These instructions explain how to install the monitor system option.

These instructions apply to:

- | | |
|----------|----------------------------|
| 298-281K | 3PT 1-Module Hardware Bdle |
| 298-282K | 3PT 2-Module Hardware Bdle |
| 298-283K | 3PT 3-Module Hardware Bdle |

Manual Part Numbers

- | | |
|----------|-----------------------|
| 118-732M | 15P Operator's Manual |
| 118-732P | 15P Parts Manual |
| 118-740M | 20P Operator's Manual |
| 118-740P | 20P Parts Manual |
| 118-769M | 24P Operator's Manual |
| 118-769P | 24P Parts Manual |
| 118-863M | 25P Operator's Manual |
| 118-863P | 25P Parts Manual |

Definitions

Right-hand and left-hand as used in this manual are determined by facing the direction the drill will travel while in use.

Refer to the drill operator's manual for detailed information on safely operating, adjusting, troubleshooting and maintaining the drill. Refer to the parts manual for part identification.

DJ Manual-Supplied in Option Bundles

Refer to this manual for instructions regarding the console assembly, speed sensor, and other schematic illustrations.

NOTE: Be sure you have the correct instructions for the monitor system you are using.

Your kit includes:

| | | |
|----------|-----------------------------|------------------|
| 298-287A | 15P-12 Row 15" Row Spacing | Begin on page 2 |
| 298-290A | 20P-16 Row 15" Row Spacing | Begin on page 4 |
| 298-368A | 25P-16 Row TR Row Spacing | Begin on page 6 |
| 298-285A | 15P-24 Row 7.5" Row Spacing | Begin on page 8 |
| 298-286A | 15P-18 Row 10" Row Spacing | Begin on page 10 |
| 298-288A | 20P-32 Row 7.5" Row Spacing | Begin on page 12 |
| 298-289A | 20P-24 Row 10" Row Spacing | Begin on page 14 |
| 298-292A | 24P-28 Row 10" Row Spacing | Begin on page 16 |
| 298-293A | 25P-20 Row 15" Row Spacing | Begin on page 18 |
| 298-367A | 25P-32 Row 9.5" Row Spacing | Begin on page 20 |
| 298-291A | 24P-38 Row 7.5" Row Spacing | Begin on page 22 |

Assembly Instructions for 298-287A 15P 15" Row Spacing

Refer to Figure 1

1. Attach the module mount (1) to the top drill frame using a 3/8" x 3 3/4" bolt and 3/8" lock nut as shown.
2. Attach the harness wire bundle (2) to the back of the module mount (1) using cables ties (3).
3. Secure the 12-Row module (4) to the module mount (1) with two 1/4" x 1 1/4" bolts and two 1/4" lock nuts.
4. Connect the wire extensions to the openers starting at the left side of the drill in numerical order. Wire extension number 1 with first opener on the left. Continue in the same manner until all wire extensions are connected. Fasten the harness to the frame with cable ties.
5. Connect black and gray colored leads into the material flow modules. Inlets are color coded. Black to black and gray to gray.
6. Attach sensor lead marked IN from the 12-Row harness to the 30' module extension cable. Put a cable plug in the OUT lead of the 12-Row harness. Route the cable along the frame and to the back of the tractor using cable ties to hold in place. Connect the end of the 30' cable to the P1 port of the cab harness at the back of the tractor. Put a 2-Pin cable plug in the P2 port of the cab harness.
7. Attach the 30' speed sensor extension cable to the speed sensor.

Note: For speed sensor mounting and adjustment instructions refer to page 24.

8. Route the 30' speed sensor extension cable along the frame and to the back of the tractor using cable ties to hold in place. Connect the cable to the 2-Pin sensor plug from the cab harness.
9. Refer to page 3 for a detailed listing of parts and schematics for this particular monitor system.

Note: For console assembly, speed sensor and other schematics illustrations refer to the DJ manual found in the monitor system package.

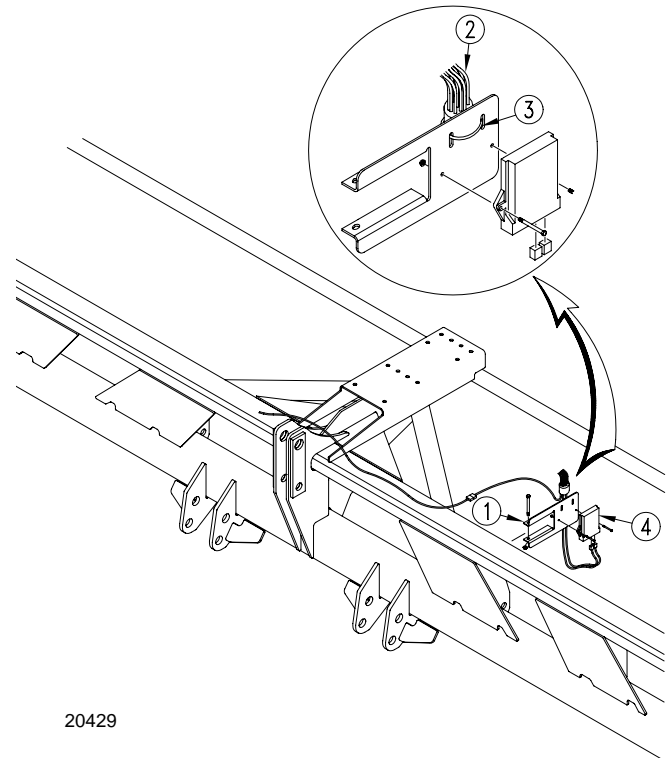


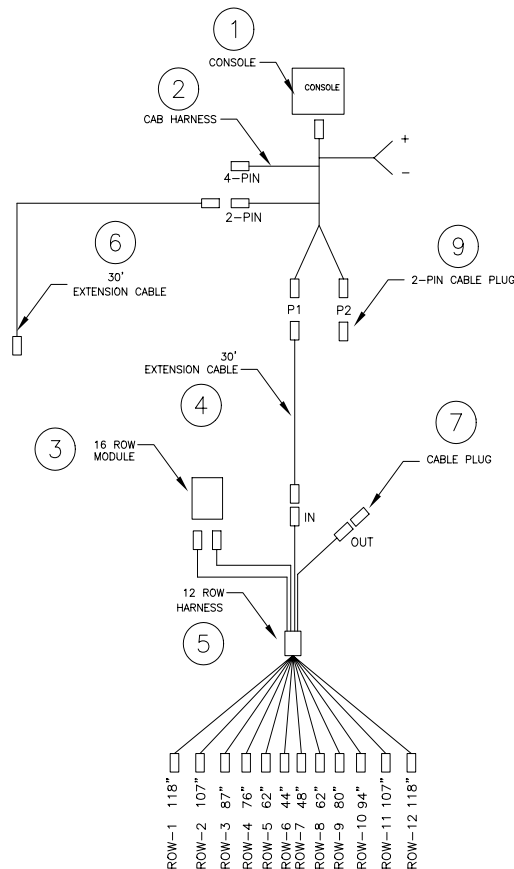
Figure 1

298-287A cont.

| <u>Ref #</u> | <u>Qty</u> | <u>Part Number</u> | <u>Description</u> |
|--------------|------------|--------------------|---|
| 1. | 1 | 466822000S1 | Seed Manager Console* |
| 2. | 1 | 466820134S1 | Seed Manager 4WD Cab Harness |
| 3. | 1 | 467751130S1 | 16-Row Module |
| 4. | 1 | 467751206S1 | Seed Manager 485 Module Extension 30' |
| 5. | 1 | 467751432S1 | 12-Row Harness 15P 15 |
| 6. | 1 | 466820835S1 | Speed Sensor Extension Cable 30' |
| 7. | 1 | 464211340 | Seed Manager Module Cable Plug |
| 8. | 1 | 110116416 | TY Wrap Bundle (Not Shown) |
| 9. | 1 | 464211330 | Seed Manager 2-Pin Cable Plug |
| 10. | 1 | 298-281K | Hardware Bundle (Not Shown, for parts listing refer to page 25) |

*NOTE: Refer to DJ manual for Console installation.

15P 12 Row 15" Spacing Monitor System Schematics



20388

Note: For further schematic illustration, refer to the DJ manual supplied in the Monitor System Package.

Assembly Instructions for 298-290A 20P 15" Row Spacing

Refer to Figure 1

1. Attach the module mount (1) to the top drill frame using a 3/8" x 3 3/4" bolt and 3/8" lock nut as shown.
2. Attach the harness wire bundle (2) to the back of the module mount (1) using cables ties (3).
3. Secure the 16-Row module (4) to the module mount (1) with two 1/4" x 1 1/4" bolts and two 1/4" lock nuts.
4. Connect the wire extensions to the openers starting at the left side of the drill in numerical order. Wire extension number 1 with first opener on the left. Continue in the same manner until all wire extensions are connected. Fasten the harness to the frame with cable ties.
5. Connect black and gray colored leads into the material flow modules. Inlets are color coded. Black to black and gray to gray.
6. Attach sensor lead marked IN from the 16-Row harness to the 30' module extension cable. Put a cable plug in the OUT lead of the 16-Row harness. Route the cable along the frame and to the back of the tractor using cable ties to hold in place. Connect the end of the 30' cable to the P1 port of the cab harness at the back of the tractor. Put a 2-Pin cable plug in the P2 port of the cab harness.
7. Attach the 30' speed sensor extension cable to the speed sensor.

Note: For speed sensor mounting and adjustment instructions refer to page 24.

8. Route the 30' speed sensor extension cable along the frame and to the back of the tractor using cable ties to hold in place. Connect the cable to the 2-Pin sensor plug from the cab harness.
9. Refer to page 5 for a detailed listing of parts and schematics for this particular monitor system.

Note: For console assembly, speed sensor and other schematics illustrations refer to the DJ manual found in the monitor system package.

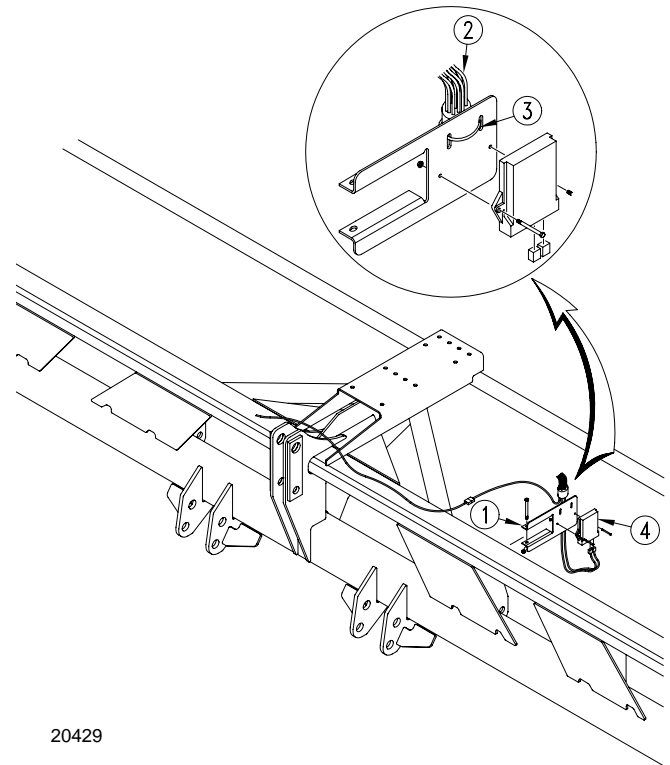


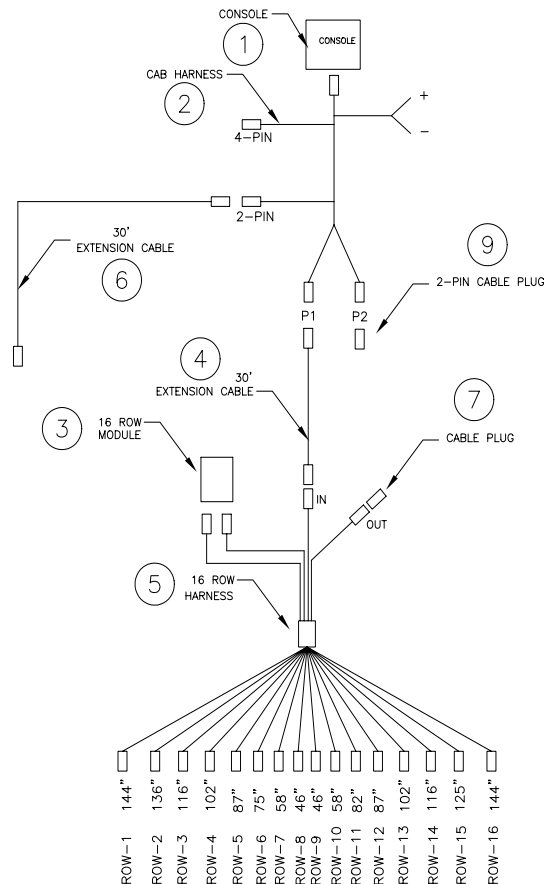
Figure 1

298-290A cont.

| <u>Ref #</u> | <u>Qty</u> | <u>Part Number</u> | <u>Description</u> |
|--------------|------------|--------------------|---|
| 1. | 1 | 466822000S1 | Seed Manager Console* |
| 2. | 1 | 466820134S1 | Seed Manager 4WD Cab Harness |
| 3. | 1 | 467751130S1 | 16-Row Module |
| 4. | 1 | 467751206S1 | Seed Manager 485 Module Extension 30' |
| 5. | 1 | 467751460S1 | 16-Row Harness 20P 15 |
| 6. | 1 | 466820835S1 | Speed Sensor Extension Cable 30' |
| 7. | 1 | 464211340 | Seed Manager Module Cable Plug |
| 8. | 1 | 110116416 | TY Wrap Bundle (Not Shown) |
| 9. | 1 | 464211330 | Seed Manager 2-Pin Cable Plug |
| 10. | 1 | 298-281K | Hardware Bundle (Not Shown, for parts listing refer to page 25) |

*NOTE: Refer to DJ manual for Console installation.

20P 16 Row 15" Spacing Monitor System Schematics



Note: For further schematic illustration, refer to the DJ manual supplied in the Monitor System Package.

20389

Assembly Instructions for 298-368A 25P 38" Twin Row Spacing

Refer to Figure 1

1. Attach the module mount (1) to the top drill frame using a 3/8" x 3 3/4" bolt and 3/8" lock nut as shown.
2. Attach the harness wire bundle (2) to the back of the module mount (1) using cables ties (3).
3. Secure the 16-Row module (4) to the module mount (1) with two 1/4" x 1 1/4" bolts and two 1/4" lock nuts.
4. Attach the harness wire bundle to the back of the module mount using cables ties. Connect the wire extensions to the openers starting at the left side of the drill in numerical order. Wire extension number 1 with first opener on the left. Continue in the same manner until all wire extensions are connected. Fasten the harness to the frame with cable ties.
5. Connect black and gray colored leads into the material flow modules. Inlets are color coded. Black to black and gray to gray.
6. Attach sensor lead marked IN from the 16-Row harness to the 30' module extension cable. Put a cable plug in the OUT lead of the 16-Row harness. Route the cable along the frame and to the back of the tractor using cable ties to hold in place. Connect the end of the 30' cable to the P1 port of the cab harness at the back of the tractor. Put a 2-Pin cable plug in the P2 port of the cab harness.
7. Attach the 30' speed sensor extension cable to the speed sensor.

Note: For speed sensor mounting and adjustment instructions refer to page 24.

8. Route the 30' speed sensor extension cable along the frame and to the back of the tractor using cable ties to hold in place. Connect the cable to the 2-Pin sensor plug from the cab harness.
9. Refer to page 7 for a detailed listing of parts and schematics for this particular monitor system.

Note: For console assembly, speed sensor and other schematics illustrations refer to the DJ manual found in the monitor system package.

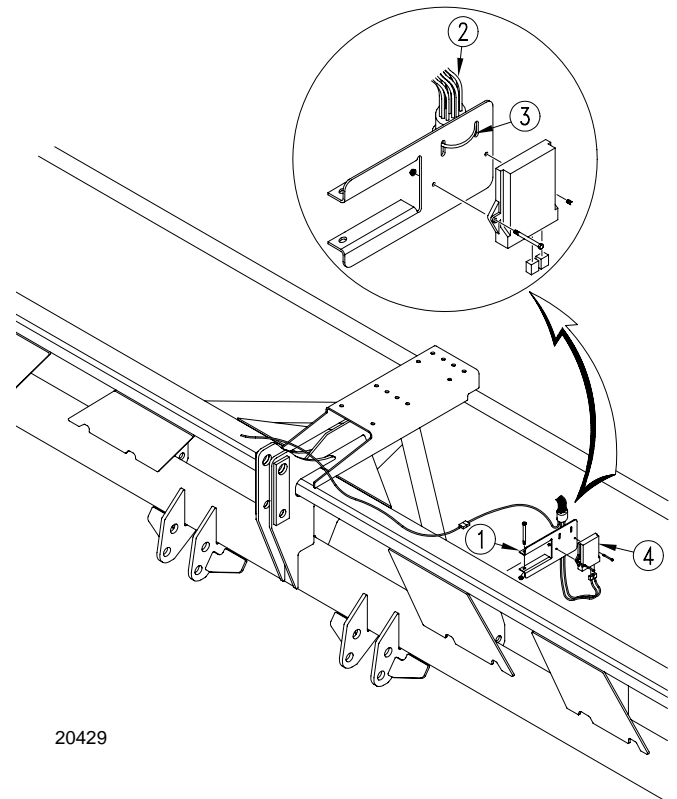
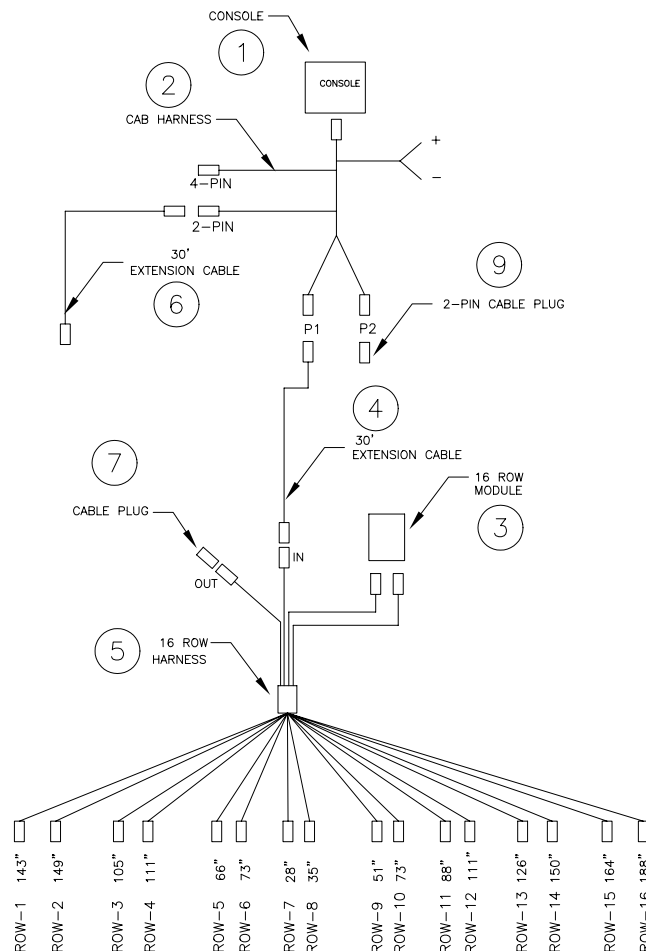


Figure 1

298-368A cont.

| <u>Ref#</u> | <u>Qty</u> | <u>Part Number</u> | <u>Description</u> |
|-------------|------------|--------------------|---|
| 1. | 1 | 466822000S1 | Seed Manager Console* |
| 2. | 1 | 466820134S1 | Seed Manager 4WD Cad Harness |
| 3. | 1 | 467751130S1 | 16-Row Module |
| 4. | 1 | 467751206S1 | Seed Manager 485 Module Extension 30' |
| 5. | 1 | 467751457S1 | 16-Row Harness 2520P Twin Row |
| 6. | 1 | 466820835S1 | Speed Sensor Extension Cable 30' |
| 7. | 1 | 464211340 | Seed Manager Module Cable Plug |
| 8. | 1 | 110116416 | TY Wrap Bundle (Not Shown) |
| 9. | 1 | 161211330 | Speed Manager 2-Pin Cable Plug |
| 10. | 1 | 298-281K | Hardware Bundle (Not Shown, for parts listing refer to page 25) |

*NOTE: Refer to DJ manual for Console installation.

25P 16 Row TR Monitor Harness Schematics

20390

Note: For further schematic illustration, refer to the DJ manual supplied in the Monitor System Package.

Assembly Instructions for 298-285A 15P 7 1/2" Row Spacing

Refer to Figure 1

1. Attach the two module mounts (1) to the top drill frame using 3/8" x 3 3/4" bolts and 3/8" lock nuts as shown.
2. Attach the harness wire bundles (2) to the back of the module mounts (1) using cables ties (3).
3. Secure the two 16-Row modules (4) to the module mounts (1) with two 1/4" x 1 1/4" bolts and two 1/4" lock nuts.

Note: Be sure and attach the harness bundle marked LH to the left-hand mount and the harness bundle marked RH to the right-hand mount.

4. Connect the wire extensions to the openers starting at the left side of the drill in numerical order. Wire extension number 1 with first opener on the left. Continue in the same manner until all wire extensions are connected. Fasten the harness to the frame with cable ties.
5. Connect black and gray colored leads into the material flow modules. Inlets are color coded. Black to black and gray to gray.
6. Attach sensor lead marked IN from the 12-Row harness on the left-hand side to the 4' module extension cable. Put a cable plug in the OUT lead of this 12-Row harness.
7. Route the 4' cable along the frame and to the sensor lead marked OUT from the right-hand 12-Row harness using cable ties to hold in place. Attach the sensor lead marked IN from this 12-Row harness to the 30' extension cable.
8. Route the 30' extension cable along the frame and to the back of the tractor using cable ties to hold in place. Connect the end of the 30' cable to the P1 port of the cab harness at the back of the tractor. Put a 2-Pin cable plug in the P2 port of the cab harness.
9. Attach the 30' speed sensor extension cable to the speed sensor.

Note: For speed sensor mounting and adjustment instructions refer to page 24.

10. Route the 30' speed sensor extension cable along the frame and to the back of the tractor using cable ties to hold in place. Connect the cable to the 2-Pin sensor plug from the cab harness.
11. Refer to page 9 for a detailed listing of parts and schematics for this particular monitor system.

Note: For console assembly, speed sensor and other schematics illustrations refer to the DJ manual found in the monitor system package.

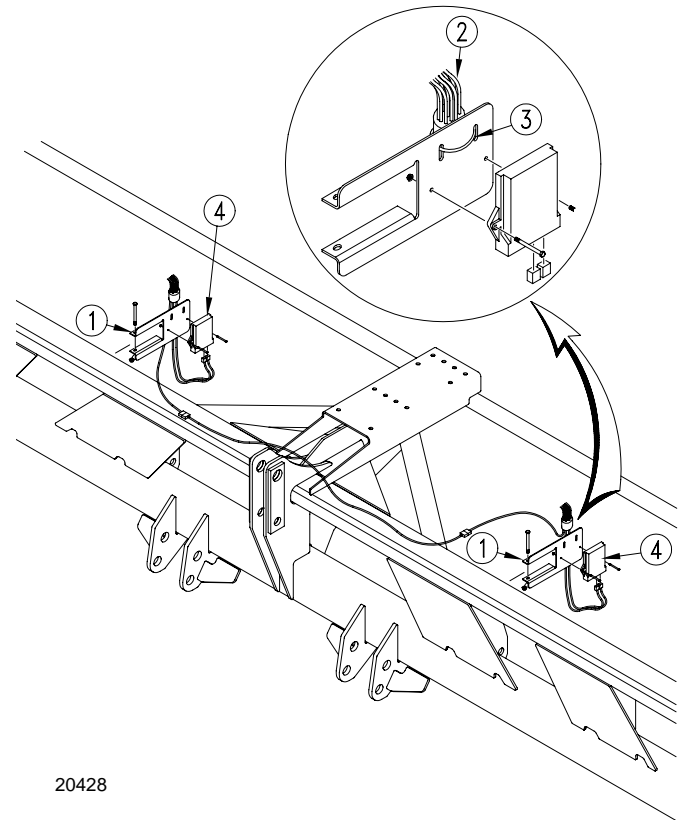


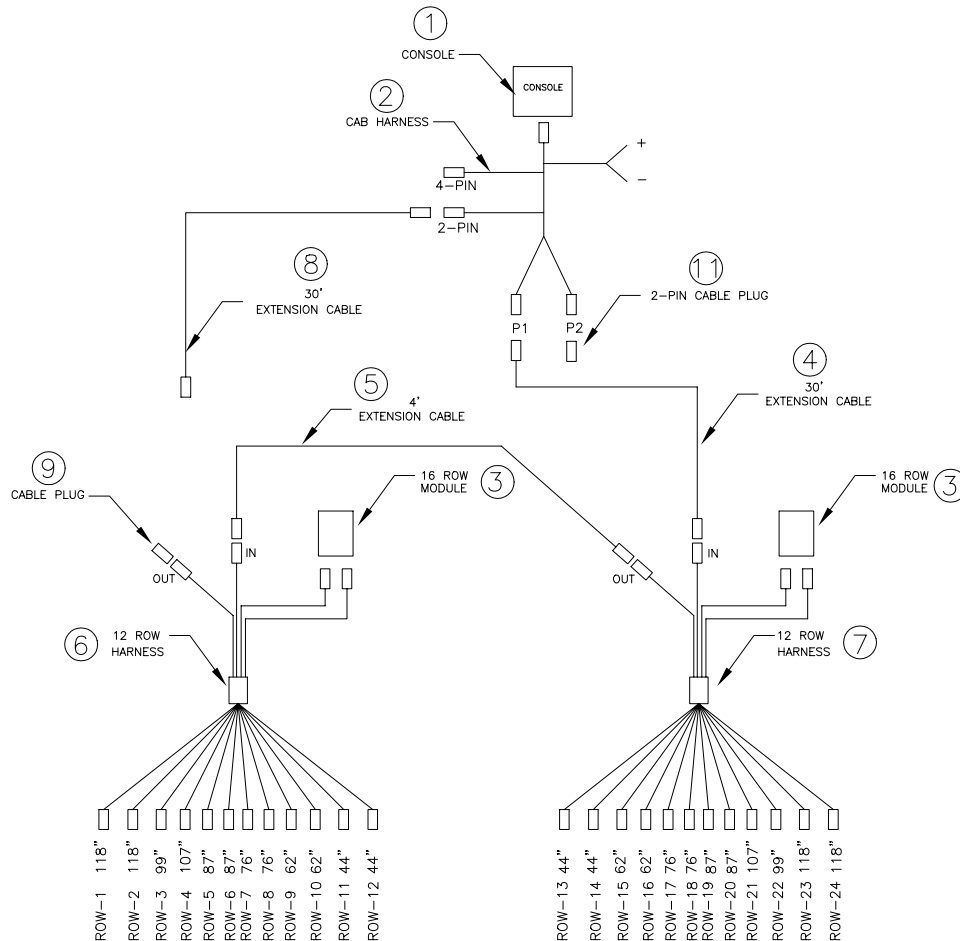
Figure 1

298-285A cont.

| <u>Ref#</u> | <u>Qty</u> | <u>Part Number</u> | <u>Description</u> |
|-------------|------------|--------------------|---|
| 1. | 1 | 466822000S1 | Seed Manager Console* |
| 2. | 1 | 466820134S1 | Seed Manager 4WD Cad Harness |
| 3. | 2 | 467751130S1 | 16-Row Module |
| 4. | 1 | 467751206S1 | Seed Manager 485 Module Extension 30' |
| 5. | 1 | 467751200S1 | Seed Manager 485 Module Extension 4' |
| 6. | 1 | 467751430S1 | 12-Row Harness 15P 7.5 LH |
| 7. | 1 | 467751431S1 | 12-Row Harness 15P 7.5 RH |
| 8. | 1 | 466820835S1 | Speed Sensor Extension Cable 30' |
| 9. | 1 | 464211340 | Seed Manager Module Cable Plug |
| 10. | 2 | 110116416 | TY Wrap Bundle (Not Shown) |
| 11. | 1 | 464211330 | Seed Manager 2-Pin Cable Plug |
| 12. | 1 | 298-282K | Hardware Bundle (Not Shown, for parts listing refer to page 25) |

*NOTE: Refer to DJ manual for Console installation.

15P 24 Row 7 1/2" Monitor Harness Schematics



20391

Note: For further schematic illustration, refer to the DJ manual supplied in the Monitor System Package.

Assembly Instructions for 298-286A 15P 10" Row Spacing

Refer to Figure 1

1. Attach the two module mounts (1) to the top drill frame using 3/8" x 3 3/4" bolts and 3/8" lock nuts as shown.
2. Attach the harness wire bundles (2) to the back of the module mounts (1) using cables ties (3).
3. Secure the two 16-Row modules (4) to the module mounts (1) with two 1/4" x 1 1/4" bolts and two 1/4" lock nuts.

Note: Be sure and attach the harness bundle marked LH to the left-hand mount and the harness bundle marked RH to the right-hand mount.

4. Connect the wire extensions to the openers starting at the left side of the drill in numerical order. Wire extension number 1 with first opener on the left. Continue in the same manner until all wire extensions are connected. Fasten the harness to the frame with cable ties.
5. Connect black and gray colored leads into the material flow modules. Inlets are color coded. Black to black and gray to gray.
6. Attach sensor lead marked IN from the 9-Row harness on the left-hand side to the 4' module extension cable. Put a cable plug in the OUT lead of this 9-Row harness.
7. Route the 4' cable along the frame and to the sensor lead marked OUT from the right-hand 9-Row harness using cable ties to hold in place. Attach the sensor lead marked IN from this 9-Row harness to the 30' extension cable.
8. Route the 30' extension cable along the frame and to the back of the tractor using cable ties to hold in place. Connect the end of the 30' cable to the P1 port of the cab harness at the back of the tractor. Put a 2-Pin cable plug in the P2 port of the cab harness.
9. Attach the 30' speed sensor extension cable to the speed sensor.

Note: For speed sensor mounting and adjustment instructions refer to page 24.

10. Route the 30' speed sensor extension cable along the frame and to the back of the tractor using cable ties to hold in place. Connect the cable to the 2-Pin sensor plug from the cab harness.
11. Refer to page 11 for a detailed listing of parts and schematics for this particular monitor system.

Note: For console assembly, speed sensor and other schematics illustrations refer to the DJ manual found in the monitor system package.

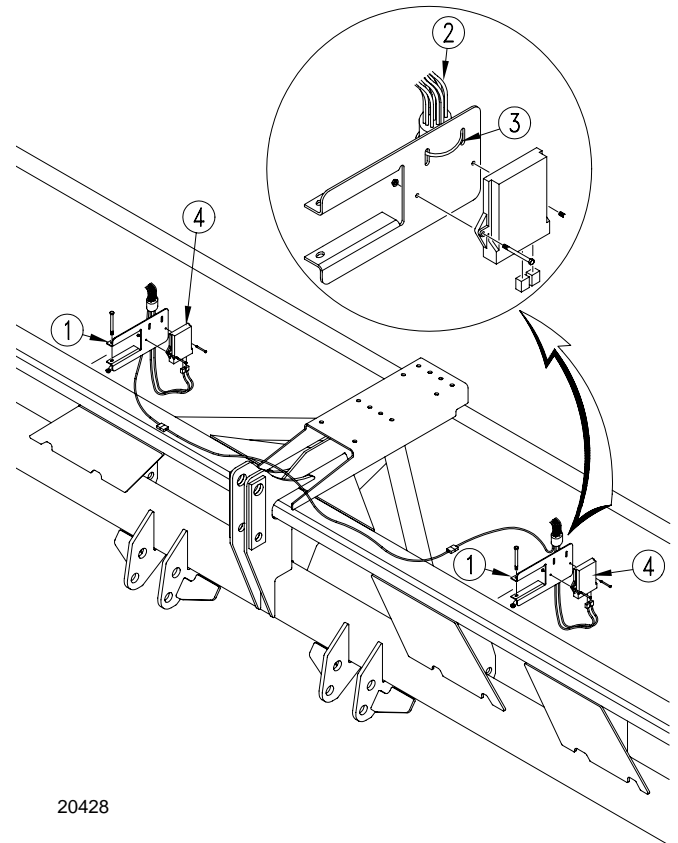
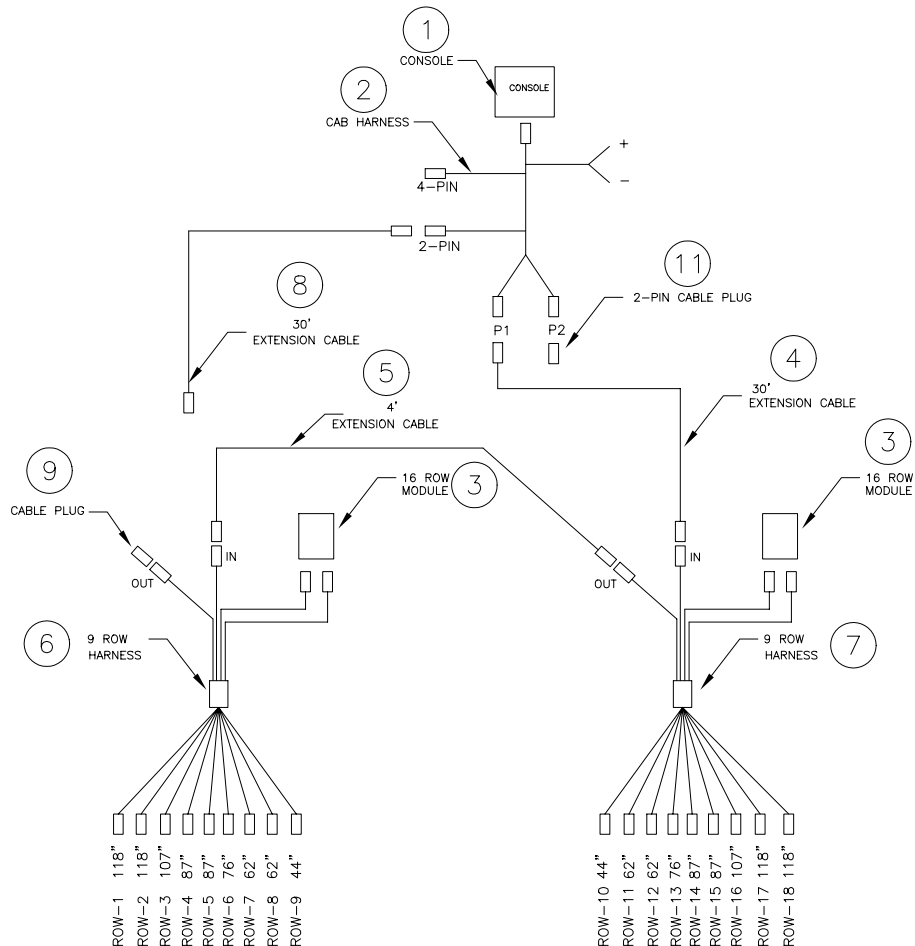


Figure 1

298-286A cont.

| Ref# | Qty | Part Number | Description |
|-------------|------------|--------------------|---|
| 1. | 1 | 466822000S1 | Seed Manager Console* |
| 2. | 1 | 466820134S1 | Seed Manager 4WD Cab Harness |
| 3. | 2 | 467751130S1 | 16-Row Module |
| 4. | 1 | 467751206S1 | Seed Manager 485 Module Extension 30' |
| 5. | 1 | 467751200S1 | Seed Manager 485 Module Extension 4' |
| 6. | 1 | 467751410S1 | 9-Row Harness 15P 10 LH |
| 7. | 1 | 467751411S1 | 9-Row Harness 15P 10 RH |
| 8. | 1 | 466820835S1 | Speed Sensor Extension Cable 30' |
| 9. | 1 | 464211340 | Seed Manager Module Cable Plug |
| 10. | 2 | 110116416 | TY Wrap Bundle (Not Shown) |
| 11. | 1 | 464211330 | Seed Manager 2-Pin Cable Plug |
| 12. | 1 | 298-282K | Hardware Bundle (Not Shown, for parts listing refer to page 25) |

*NOTE: Refer to DJ manual for Console installation.

15P 18 Row 10" Monitor Harness Schematics

20392

Note: For further schematic illustration, refer to the DJ manual supplied in the Monitor System Package.

Assembly Instructions for 298-288A 20P 7 1/2" Row Spacing

Refer to Figure 1

1. Attach the two module mounts (1) to the top drill frame using 3/8" x 3 3/4" bolts and 3/8" lock nuts as shown.
2. Attach the harness wire bundles (2) to the back of the module mounts (1) using cables ties (3).
3. Secure the two 16-Row modules (4) to the module mounts (1) with two 1/4" x 1 1/4" bolts and two 1/4" lock nuts.

Note: Be sure and attach the harness bundle marked LH to the left-hand mount and the harness bundle marked RH to the right-hand mount.

4. Connect the wire extensions to the openers starting at the left side of the drill in numerical order. Wire extension number 1 with first opener on the left. Continue in the same manner until all wire extensions are connected. Fasten the harness to the frame with cable ties.
5. Connect black and gray colored leads into the material flow modules. Inlets are color coded. Black to black and gray to gray.
6. Attach sensor lead marked IN from the 16-Row harness on the left-hand side to the 4' module extension cable. Put a cable plug in the OUT lead of this 16-Row harness.
7. Route the 4' cable along the frame and to the sensor lead marked OUT from the right-hand 16-Row harness using cable ties to hold in place. Attach the sensor lead marked IN from this 16-Row harness to the 30' extension cable.
8. Route the 30' extension cable along the frame and to the back of the tractor using cable ties to hold in place. Connect the end of the 30' cable to the P1 port of the cab harness at the back of the tractor. Put a 2-Pin cable plug in the P2 port of the cab harness.
9. Attach the 30' speed sensor extension cable to the speed sensor.

Note: For speed sensor mounting and adjustment instructions refer to page 24.

10. Route the 30' speed sensor extension cable along the frame and to the back of the tractor using cable ties to hold in place. Connect the cable to the 2-Pin sensor plug from the cab harness.
11. Refer to page 13 for a detailed listing of parts and schematics for this particular monitor system.

Note: For console assembly, speed sensor and other schematics illustrations refer to the DJ manual found in the monitor system package.

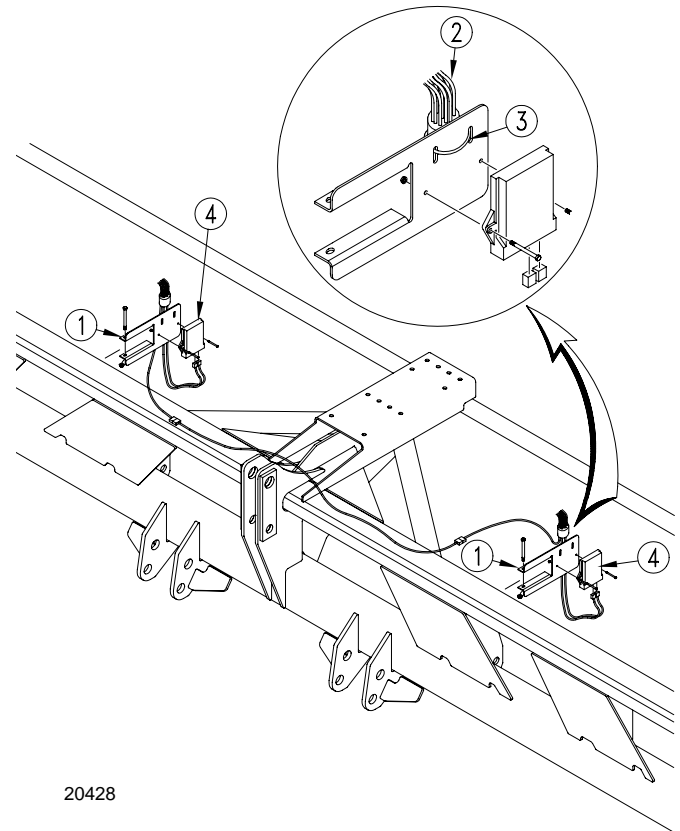


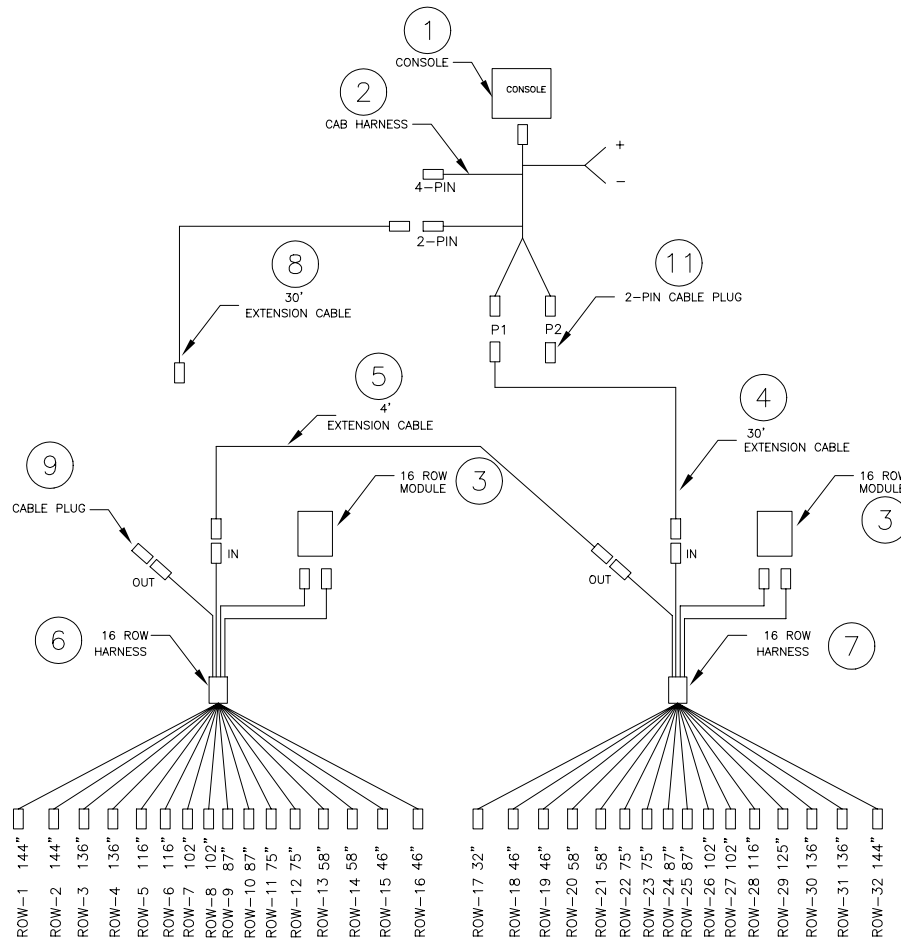
Figure 1

298-288A cont.

| Ref# | Qty | Part Number | Description |
|------|-----|-------------|---|
| 1. | 1 | 466822000S1 | Seed Manager Console* |
| 2. | 1 | 466820134S1 | Seed Manager 4WD Cab Harness |
| 3. | 2 | 467751130S1 | 16-Row Module |
| 4. | 1 | 467751206S1 | Seed Manager 485 Module Extension 30' |
| 5. | 1 | 467751200S1 | Seed Manager 485 Module Extension 4' |
| 6. | 1 | 467751450S1 | 16-Row Harness 20P 7.5 LH |
| 7. | 1 | 467751451S1 | 16-Row Harness 20P 7.5 RH |
| 8. | 1 | 466820835S1 | Speed Sensor Extension Cable 30' |
| 9. | 1 | 464211340 | Seed Manager Module Cable Plug |
| 10. | 2 | 110116416 | TY Wrap Bundle (Not Shown) |
| 11. | 1 | 464211330 | Seed Manager 2-Pin Cable Plug |
| 12. | 1 | 298-282K | Hardware Bundle (Not Shown, for parts listing refer to page 25) |

*NOTE: Refer to DJ manual for Console installation.

20P 32 Row 7 1/2" Monitor Harness Schematics



20393

Note: For further schematic illustration, refer to the DJ manual supplied in the Monitor System Package.

Assembly Instructions for 298-289A 20P 10" Row Spacing

Refer to Figure 1

1. Attach the two module mounts (1) to the top drill frame using 3/8" x 3 3/4" bolts and 3/8" lock nuts as shown.
2. Attach the harness wire bundles (2) to the back of the module mounts (1) using cables ties (3).
3. Secure the two 16-Row modules (2) to the module mounts (4) with two 1/4" x 1 1/4" bolts and two 1/4" lock nuts.

Note: Be sure and attach the harness bundle marked LH to the left-hand mount and the harness bundle marked RH to the right-hand mount.

4. Connect the wire extensions to the openers starting at the left side of the drill in numerical order. Wire extension number 1 with first opener on the left. Continue in the same manner until all wire extensions are connected. Fasten the harness to the frame with cable ties.
5. Connect black and gray colored leads into the material flow modules. Inlets are color coded. Black to black and gray to gray.
6. Attach sensor lead marked IN from the 12-Row harness on the left-hand side to the 4' module extension cable. Put a cable plug in the OUT lead of this 12-Row harness.
7. Route the 4' cable along the frame and to the sensor lead marked OUT from the right-hand 12-Row harness using cable ties to hold in place. Attach the sensor lead marked IN from this 12-Row harness to the 30' extension cable.
8. Route the 30' extension cable along the frame and to the back of the tractor using cable ties to hold in place. Connect the end of the 30' cable to the P1 port of the cab harness at the back of the tractor. Put a 2-Pin cable plug in the P2 port of the cab harness.
9. Attach the 30' speed sensor extension cable to the speed sensor.

Note: For speed sensor mounting and adjustment instructions refer to page 24.

10. Route the 30' speed sensor extension cable along the frame and to the back of the tractor using cable ties to hold in place. Connect the cable to the 2-Pin sensor plug from the cab harness.
11. Refer to page 15 for a detailed listing of parts and schematics for this particular monitor system.

Note: For console assembly, speed sensor and other schematics illustrations refer to the DJ manual found in the monitor system package.

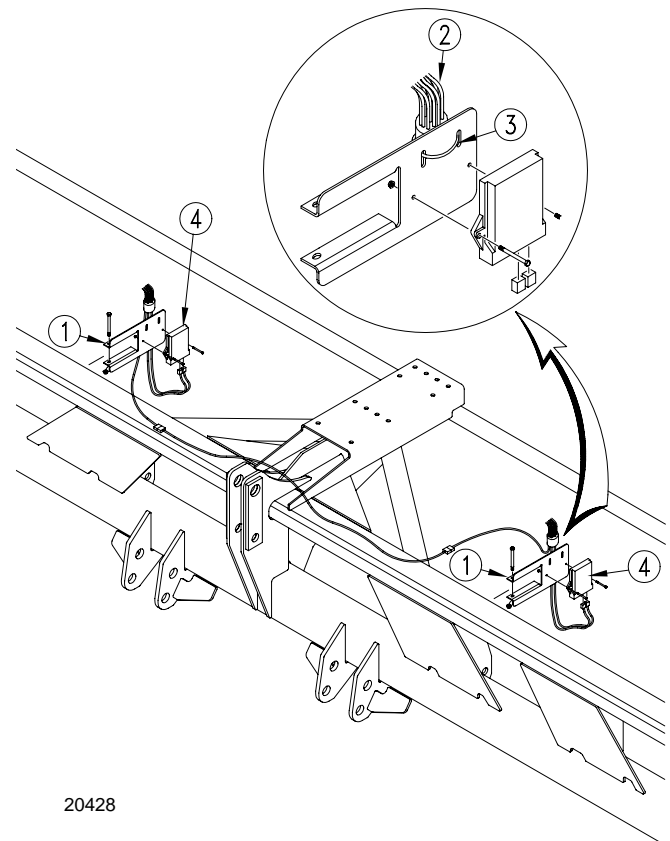
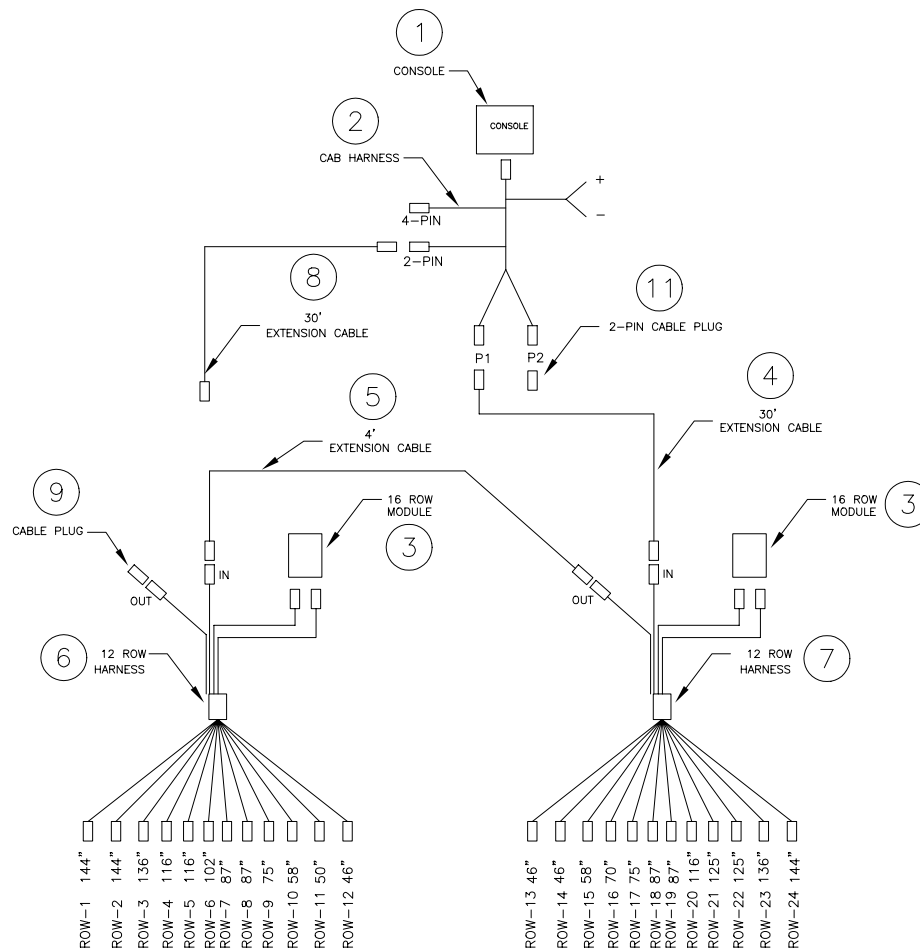


Figure 1

298-289A cont.

| <u>Ref#</u> | <u>Qty</u> | <u>Part Number</u> | <u>Description</u> |
|-------------|------------|--------------------|---|
| 1. | 1 | 466822000S1 | Seed Manager Console* |
| 2. | 1 | 466820134S1 | Seed Manager 4WD Cab Harness |
| 3. | 2 | 467751130S1 | 16-Row Module |
| 4. | 1 | 467751206S1 | Seed Manager 485 Module Extension 30' |
| 5. | 1 | 467751200S1 | Seed Manager 485 Module Extension 4' |
| 6. | 1 | 467751433S1 | 12-Row Harness 20P 10 LH |
| 7. | 1 | 467751434S1 | 12-Row Harness 20P 10 RH |
| 8. | 1 | 466820835S1 | Speed Sensor Extension Cable 30' |
| 9. | 1 | 464211340 | Seed Manager Module Cable Plug |
| 10. | 2 | 110116416 | TY Wrap Bundle (Not Shown) |
| 11. | 1 | 464211330 | Seed Manager 2-Pin Cable Plug |
| 12. | 1 | 298-282K | Hardware Bundle (Not Shown, for parts listing refer to page 25) |

*NOTE: Refer to DJ manual for Console installation.

20P 24 Row 10" Monitor Harness Schematics

20394

Note: For further schematic illustration, refer to the DJ manual supplied in the Monitor System Package.

Assembly Instructions for 298-292A 24P 10" Row Spacing

Refer to Figure 1

1. Attach the two module mounts (1) to the top drill frame using 3/8" x 3 3/4" bolts and 3/8" lock nuts as shown.
2. Attach the harness wire bundles (2) to the back of the module mounts (1) using cables ties (3).
3. Secure the two 16-Row modules (2) to the module mounts (4) with two 1/4" x 1 1/4" bolts and two 1/4" lock nuts.

Note: Be sure and attach the harness bundle marked LH to the left-hand mount and the harness bundle marked RH to the right-hand mount.

4. Connect the wire extensions to the openers starting at the left side of the drill in numerical order. Wire extension number 1 with first opener on the left. Continue in the same manner until all wire extensions are connected. Fasten the harness to the frame with cable ties.
5. Connect black and gray colored leads into the material flow modules. Inlets are color coded. Black to black and gray to gray.
6. Attach sensor lead marked IN from the 14-Row harness on the left-hand side to the 4' module extension cable. Put a cable plug in the OUT lead of this 14-Row harness.
7. Route the 4' cable along the frame and to the sensor lead marked OUT from the right-hand 14-Row harness using cable ties to hold in place. Attach the sensor lead marked IN from this 14-Row harness to the 30' extension cable.
8. Route the 30' extension cable along the frame and to the back of the tractor using cable ties to hold in place. Connect the end of the 30' cable to the P1 port of the cab harness at the back of the tractor. Put a 2-Pin cable plug in the P2 port of the cab harness.
9. Attach the 30' speed sensor extension cable to the speed sensor.

Note: For speed sensor mounting and adjustment instructions refer to page 24.

10. Route the 30' speed sensor extension cable along the frame and to the back of the tractor using cable ties to hold in place. Connect the cable to the 2-Pin sensor plug from the cab harness.
11. Refer to page 17 for a detailed listing of parts and schematics for this particular monitor system.

Note: For console assembly, speed sensor and other schematics illustrations refer to the DJ manual found in the monitor system package.

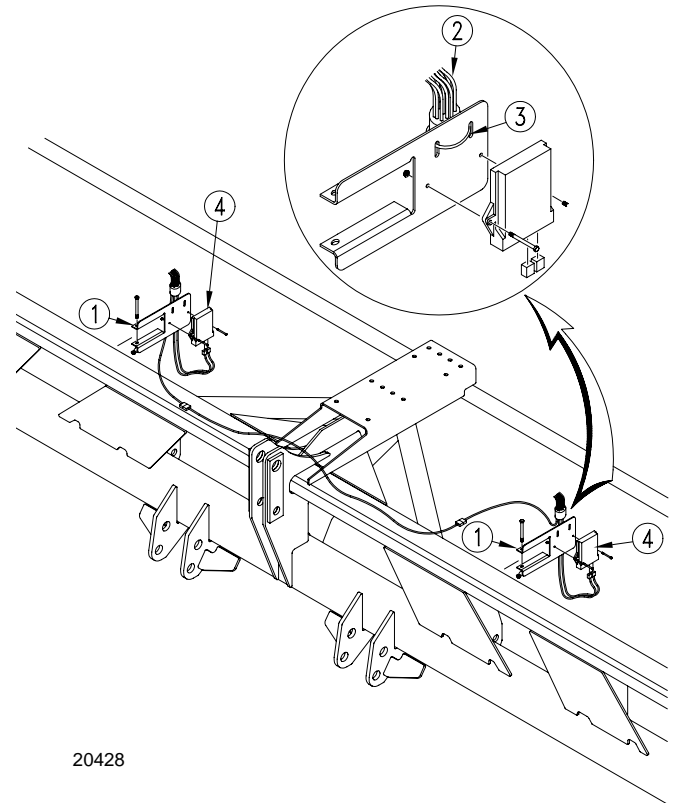


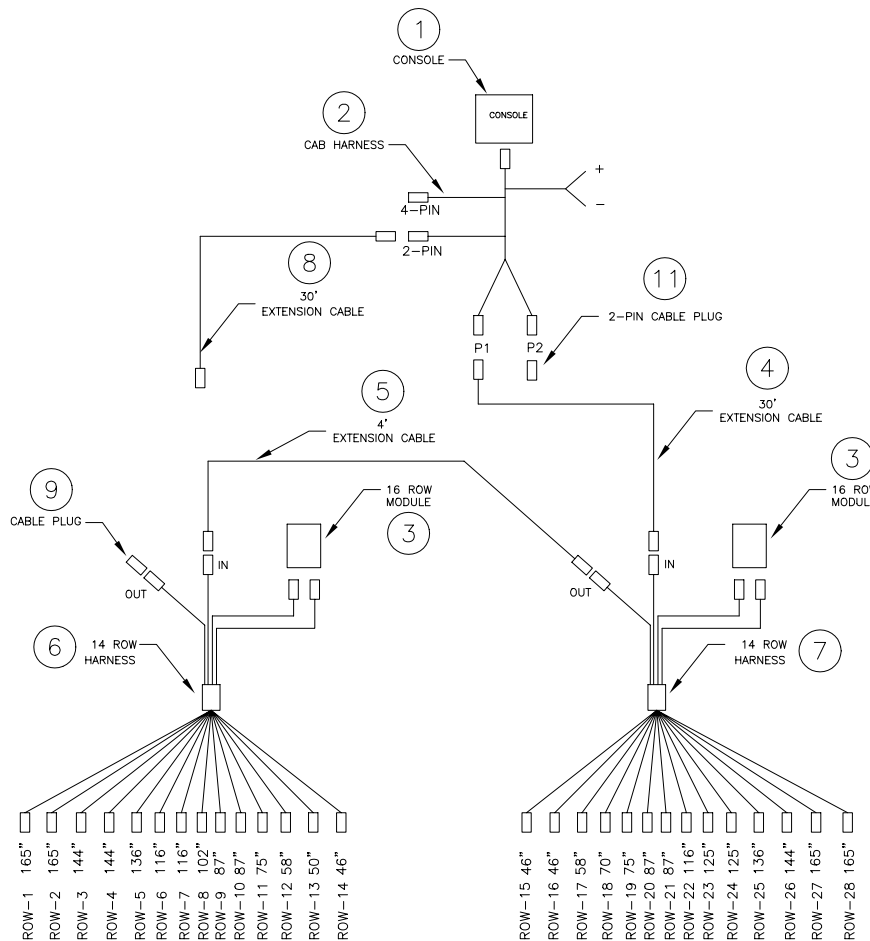
Figure 1

298-292A cont.

| <u>Ref#</u> | <u>Qty</u> | <u>Part Number</u> | <u>Description</u> |
|-------------|------------|--------------------|---|
| 1. | 1 | 466822000S1 | Seed Manager Console* |
| 2. | 1 | 466820134S1 | Seed Manager 4WD Cab Harness |
| 3. | 2 | 467751130S1 | 16-Row Module |
| 4. | 1 | 467751206S1 | Seed Manager 485 Module Extension 30' |
| 5. | 1 | 467751200S1 | Seed Manager 485 Module Extension 4' |
| 6. | 1 | 467751440S1 | 14-Row Harness 24P 10 LH |
| 7. | 1 | 467551441S1 | 14-Row Harness 24P 10 RH |
| 8. | 1 | 466820835S1 | Speed Sensor Extension Cable 30' |
| 9. | 1 | 464211340 | Seed Manager Module Cable Plug |
| 10. | 2 | 110116416 | TY Wrap Bundle (Not Shown) |
| 11. | 1 | 464211330 | Seed Manager 2-Pin Cable Plug |
| 12. | 1 | 298-282K | Hardware Bundle (Not Shown, for parts listing refer to page 25) |

*NOTE: Refer to DJ manual for Console installation.

24P 28 Row 10" Monitor Harness Schematics



20395

Note: For further schematic illustration, refer to the DJ manual supplied in the Monitor System Package.

Assembly Instructions for 298-293A 25P 15" Row Spacing

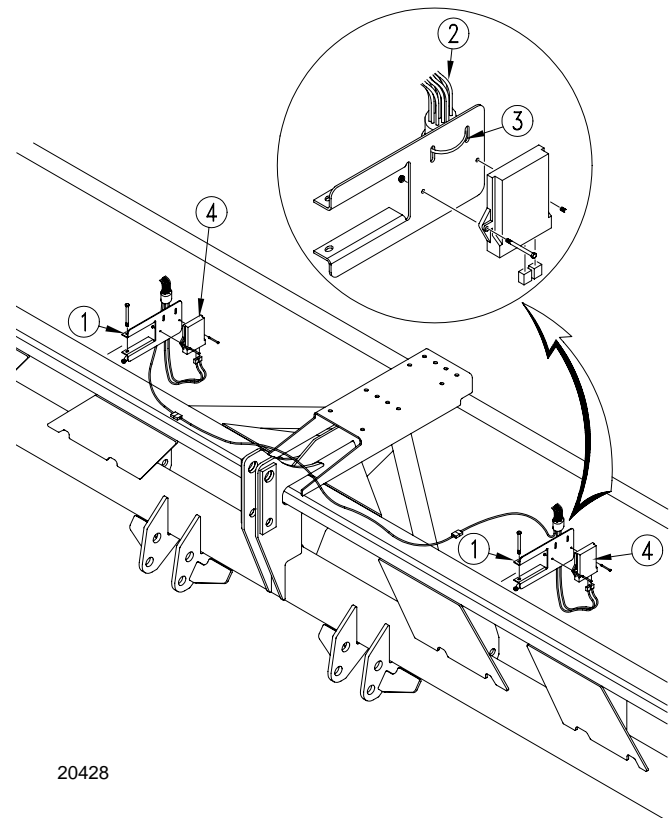
Refer to Figure 1

1. Attach the two module mounts (1) to the top drill frame using 3/8" x 3 3/4" bolts and 3/8" lock nuts as shown.
2. Attach the harness wire bundles (2) to the back of the module mounts (1) using cables ties (3).
3. Secure the two 16-Row modules (2) to the module mounts (4) with two 1/4" x 1 1/4" bolts and two 1/4" lock nuts.
4. Connect the wire extensions to the openers starting at the left side of the drill in numerical order. Wire extension number 1 with first opener on the left. Continue in the same manner until all wire extensions are connected. Fasten the harness to the frame with cable ties.
5. Connect black and gray colored leads into the material flow modules. Inlets are color coded. Black to black and gray to gray.
6. Attach sensor lead marked IN from the 10-Row harness on the left-hand side to the 10' module extension cable. Put a cable plug in the OUT lead of this 10-Row harness.
7. Route the 10' cable along the frame and to the sensor lead marked OUT from the right-hand 10-Row harness using cable ties to hold in place. Attach the sensor lead marked IN from this 10-Row harness to the 30' extension cable.
8. Route the 30' extension cable along the frame and to the back of the tractor using cable ties to hold in place. Connect the end of the 30' cable to the P1 port of the cab harness at the back of the tractor. Put a 2-Pin cable plug in the P2 port of the cab harness.
9. Attach the 30' speed sensor extension cable to the speed sensor.

Note: For speed sensor mounting and adjustment instructions refer to page 24.

10. Route the 30' speed sensor extension cable along the frame and to the back of the tractor using cable ties to hold in place. Connect the cable to the 2-Pin sensor plug from the cab harness.
11. Refer to page 19 for a detailed listing of parts and schematics for this particular monitor system.

Note: For console assembly, speed sensor and other schematics illustrations refer to the DJ manual found in the monitor system package.



20428

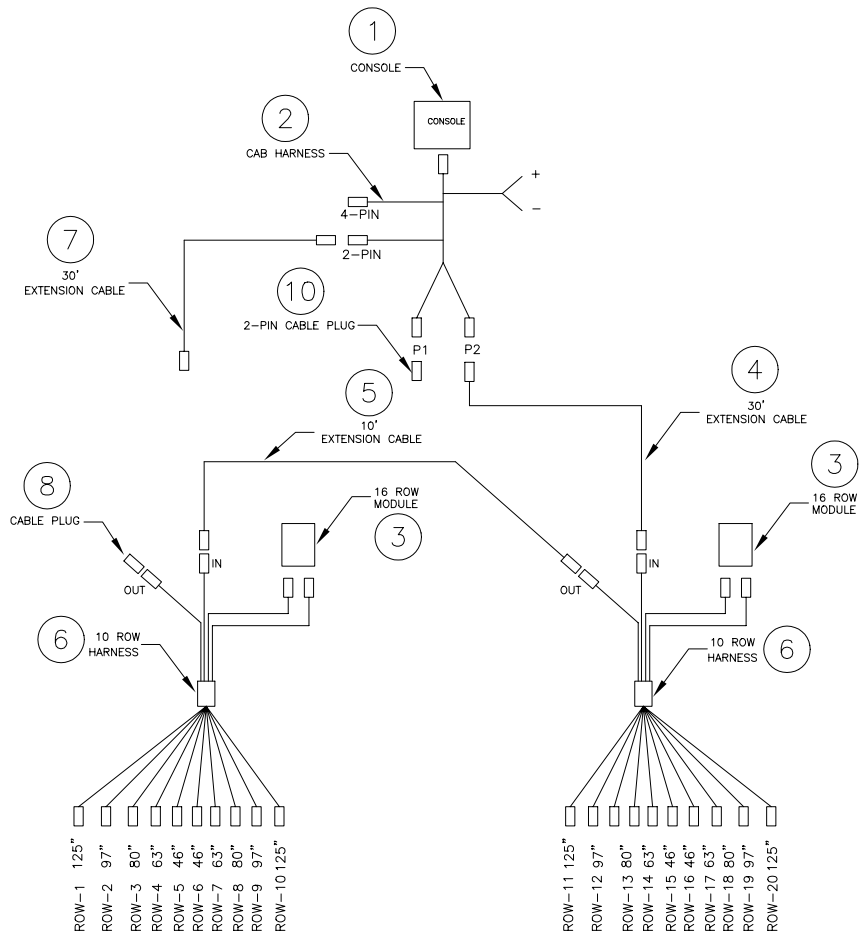
Figure 1

298-293A cont.

| Ref# | Qty | Part Number | Description |
|-------------|------------|--------------------|---|
| 1. | 1 | 466822000S1 | Seed Manager Console* |
| 2. | 1 | 466820134S1 | Seed Manager 4WD Cad Harness |
| 3. | 2 | 467751130S1 | 16-Row Module |
| 4. | 1 | 467751206S1 | Seed Manager 485 Module Extension 30' |
| 5. | 1 | 467751202S1 | Seed Manager 485 Module Extension 10' |
| 6. | 2 | 467751420S1 | 10-Row Harness 24P 10 LH |
| 7. | 1 | 466820835S1 | Speed Sensor Extension Cable 30' |
| 8. | 1 | 464211340 | Seed Manager Module Cable Plug |
| 9. | 2 | 110116416 | TY Wrap Bundle (Not Shown) |
| 10. | 1 | 464211330 | Seed Manager 2-Pin Cable Plug |
| 11. | 1 | 298-282K | Hardware Bundle (Not Shown, for parts listing refer to page 25) |

*NOTE: Refer to DJ manual for Console installation.

25P 20 Row 15" Monitor Harness Schematics



20396

Note: For further schematic illustration, refer to the DJ manual supplied in the Monitor System Package.

Assembly Instructions for 298-367A 25P 9 1/2" & 8/10/10/10 Row Spacing

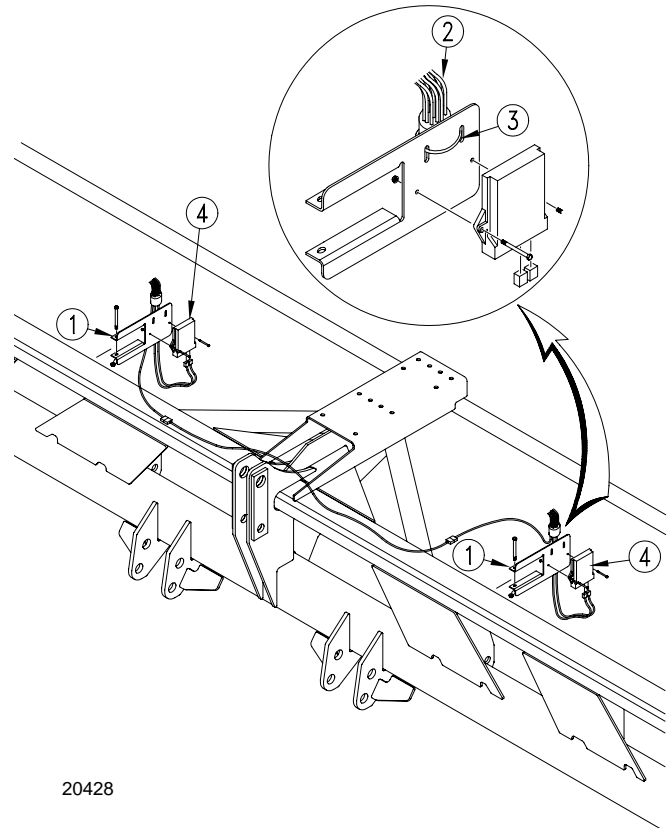
Refer to Figure 1

1. Attach the two module mounts (1) to the top drill frame using 3/8" x 3 3/4" bolts and 3/8" lock nuts as shown.
2. Attach the harness wire bundles (2) to the back of the module mounts (1) using cables ties (3).
3. Secure the two 16-Row modules (2) to the module mounts (4) with two 1/4" x 1 1/4" bolts and two 1/4" lock nuts.
4. Connect the wire extensions to the openers starting at the left side of the drill in numerical order. Wire extension number 1 with first opener on the left. Continue in the same manner until all wire extensions are connected. Fasten the harness to the frame with cable ties.
5. Connect black and gray colored leads into the material flow modules. Inlets are color coded. Black to black and gray to gray.
6. Attach sensor lead marked IN from the 16-Row harness on the left-hand side to the 15' module extension cable. Put a cable plug in the OUT lead of this 16-Row harness.
7. Route the 15' cable along the frame and to the sensor lead marked OUT from the right-hand 16-Row harness using cable ties to hold in place. Attach the sensor lead marked IN from this 16-Row harness to the 30' extension cable.
8. Route the 30' extension cable along the frame and to the back of the tractor using cable ties to hold in place. Connect the end of the 30' cable to the P1 port of the cab harness at the back of the tractor. Put a 2-Pin cable plug in the P2 port of the cab harness.
9. Attach the 30' speed sensor extension cable to the speed sensor.

Note: For speed sensor mounting and adjustment instructions refer to page 24.

10. Route the 30' speed sensor extension cable along the frame and to the back of the tractor using cable ties to hold in place. Connect the cable to the 2-Pin sensor plug from the cab harness.
11. Refer to page 21 for a detailed listing of parts and schematics for this particular monitor system.

Note: For console assembly, speed sensor and other schematics illustrations refer to the DJ manual found in the monitor system package.



20428

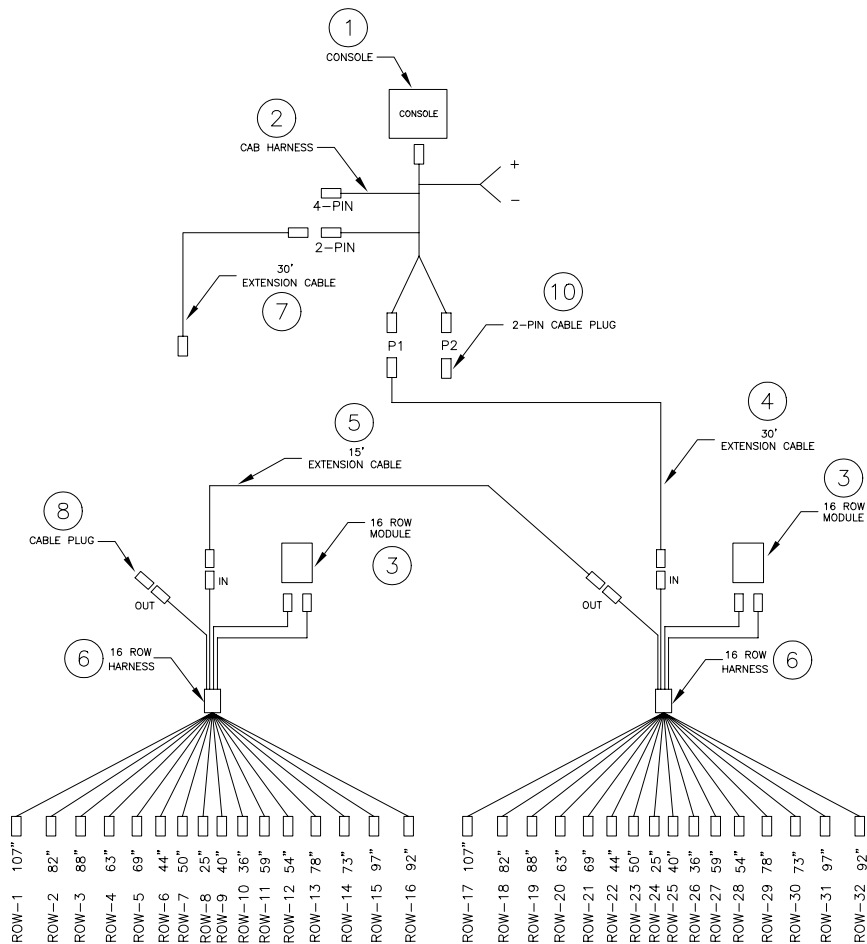
Figure 1

298-367A cont.

| <u>Ref#</u> | <u>Qty</u> | <u>Part Number</u> | <u>Description</u> |
|-------------|------------|--------------------|---|
| 1. | 1 | 466822000S1 | Seed Manager Console* |
| 2. | 1 | 466820134S1 | Seed Manager 4WD Cab Harness |
| 3. | 2 | 467751130S1 | 16-Row Module |
| 4. | 1 | 467751206S1 | Seed Manager 485 Module Extension 30' |
| 5. | 1 | 467551203S1 | Seed Manager 1585 Module Extension 15' |
| 6. | 2 | 467751456S1 | 16-Row Harness 2520P 9.5 |
| 7. | 1 | 466820835S1 | Speed Sensor Extension Cable 30' |
| 8. | 1 | 464211340 | Seed Manager Module Cable Plug |
| 9. | 2 | 110116416 | TY Wrap Bundle (Not Shown) |
| 10. | 1 | 464211330 | Seed Manager 2-Pin Cable Plug |
| 11. | 1 | 298-282K | Hardware Bundle (Not Shown, for parts listing refer to page 25) |

*NOTE: Refer to DJ manual for Console installation.

25P 32 Row 9 1/2" & 8/10/10/10 Monitor Harness Schematics



20397

Note: For further schematic illustration, refer to the DJ manual supplied in the Monitor System Package.

Assembly Instructions for 298-291A 24P 7 1/2" Row Spacing

Refer to Figure 1

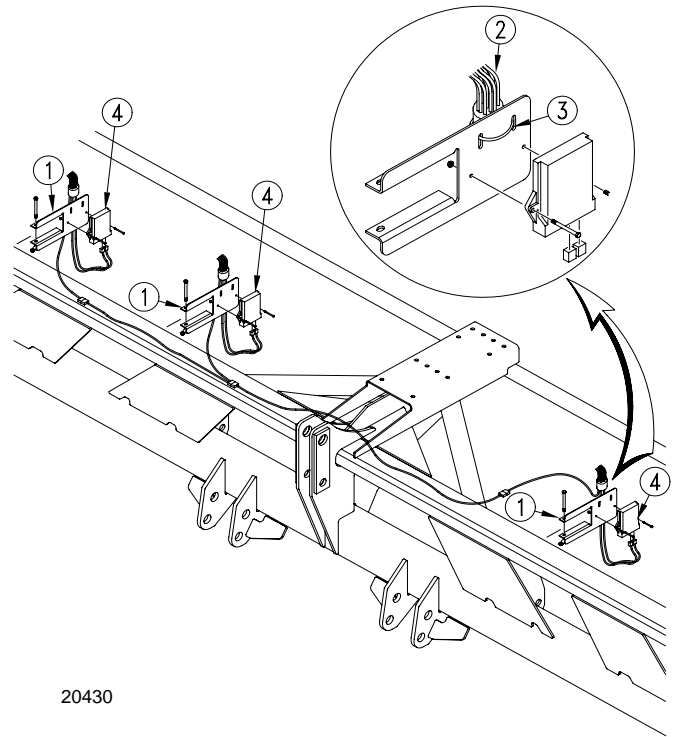
1. Attach the three module mounts (1) to the top drill frame using 3/8" x 3 3/4" bolts and 3/8" lock nuts as shown.
2. Attach the harness wire bundles (2) to the back of the module mounts (1) using cables ties (3).
3. Secure the three 16-Row modules (2) to the module mounts (4) with two 1/4" x 1 1/4" bolts and two 1/4" lock nuts.

Note: Be sure and attach the two 12-Row harnesses to the two outside mounts and the 14-Row harness to the center mount.

4. Connect the wire extensions to the openers starting at the left side of the drill in numerical order. Wire extension number 1 with first opener on the left. Continue in the same manner until all wire extensions are connected. Fasten the harness to the frame with cable ties.
5. Connect black and gray colored leads into the material flow modules. Inlets are color coded. Black to black and gray to gray.
6. Attach sensor lead marked IN from the 12-Row harness on the left-hand side to the 10' module extension cable. Put a cable plug in the OUT lead of this 12-Row harness.
7. Route the 10' cable along the frame and to the sensor lead marked OUT from the center 14-Row harness using cable ties to hold in place. Attach the sensor lead marked IN from this 14-Row harness to the second 10' extension cable.
8. Route the 10' cable along the frame and to the sensor lead marked OUT from the right-hand 12-Row harness using cable ties to hold in place. Attach the sensor lead marked IN from this 12-Row harness to the 30' extension cable.
9. Route the 30' extension cable along the frame and to the back of the tractor using cable ties to hold in place. Connect the end of the 30' cable to the P1 port of the cab harness at the back of the tractor. Put a 2-Pin cable plug in the P2 port of the cab harness.
10. Attach the 30' speed sensor extension cable to the speed sensor.

Note: For speed sensor mounting and adjustment instructions refer to page 24.

11. Route the 30' speed sensor extension cable along the frame and to the back of the tractor using cable ties to hold in place. Connect the cable to the 2-Pin sensor plug from the cab harness.



20430

Figure 1

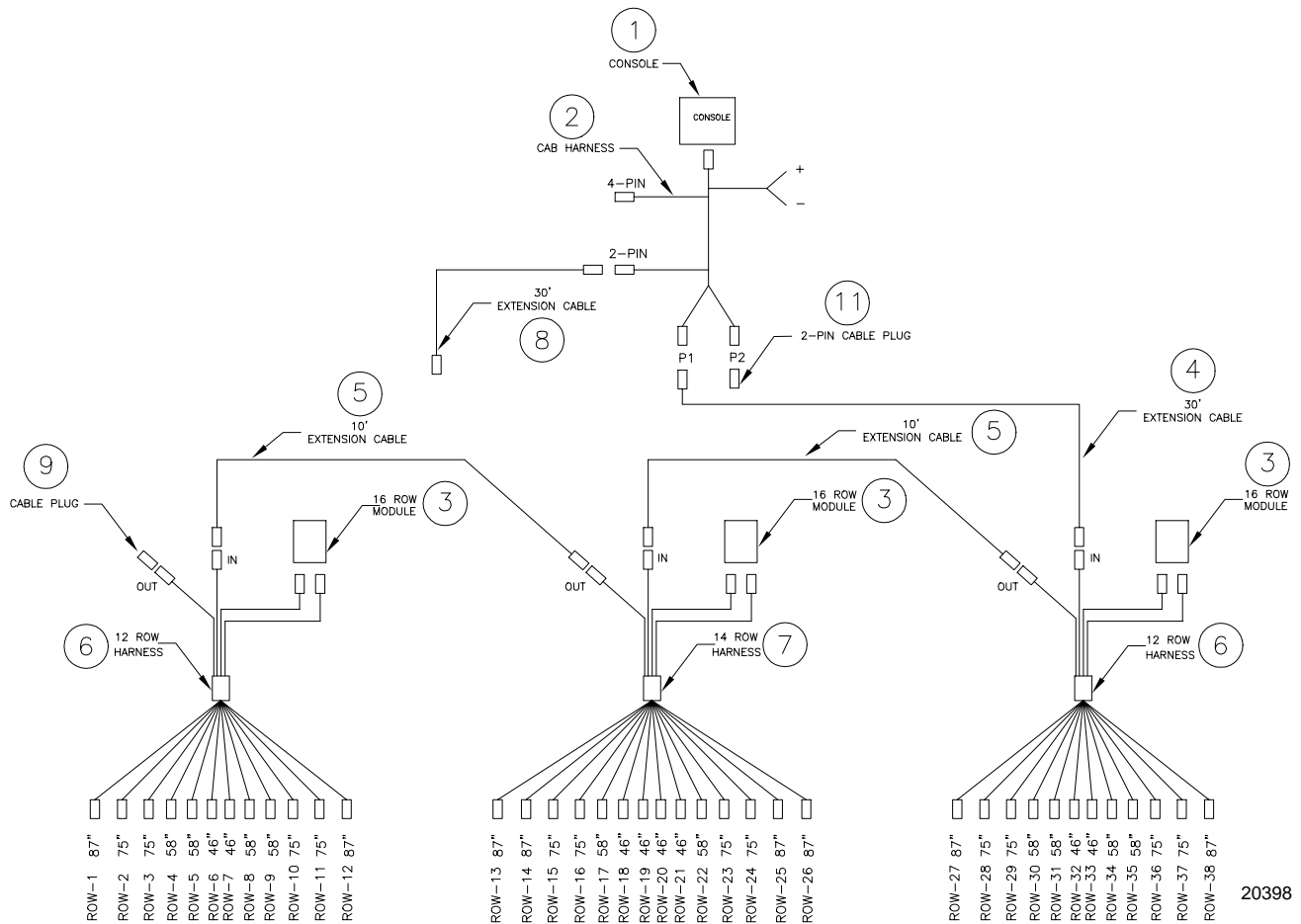
12. Refer to page 23 for a detailed listing of parts and schematics for this particular monitor system.

Note: For console assembly, speed sensor and other schematics illustrations refer to the DJ manual found in the monitor system package.

298-291A cont.

| <u>Ref#</u> | <u>Qty</u> | <u>Part Number</u> | <u>Description</u> |
|-------------|------------|--------------------|---|
| 1. | 1 | 466822000S1 | Seed Manager Console* |
| 2. | 1 | 466820134S1 | Seed Manager 4WD Cad Harness |
| 3. | 3 | 467751130S1 | 16-Row Module |
| 4. | 1 | 467751206S1 | Seed Manager 485 Module Extension 30' |
| 5. | 2 | 467751200S1 | Seed Manager 485 Module Extension 10' |
| 6. | 2 | 467751435S1 | 12-Row Harness 24P 7.5 |
| 7. | 1 | 467751442S1 | 14-Row Harness 24P 7.5 |
| 8. | 1 | 466820835S1 | Speed Sensor Extension Cable 30' |
| 9. | 1 | 464211340 | Seed Manager Module Cable Plug |
| 10. | 3 | 110116416 | TY Wrap Bundle (Not Shown) |
| 11. | 1 | 464211330 | Seed Manager 2-Pin Cable Plug |
| 12. | 1 | 298-283K | Hardware Bundle (Not Shown, for parts listing refer to page 25) |

*NOTE: Refer to DJ manual for Console installation.

24P 38 Row 7 1/2" Monitor Harness Schematics

Note: For further schematic illustration, refer to the DJ manual supplied in the Monitor System Package.

Speed Sensor

Refer to Figure 1

1. Install the DICKEY-john magnetic pickup sensor (1) to sensor mounting bracket (2).

Refer to Figure 3

2. Set initial distance between sensor and pick-up disk at 0.020-0.040 inch. This may need to be adjusted up or down as necessary.
3. Secure in place with lock nut (3).
4. Refer to DICKEY-john Installation and Operating Manual for further instructions..

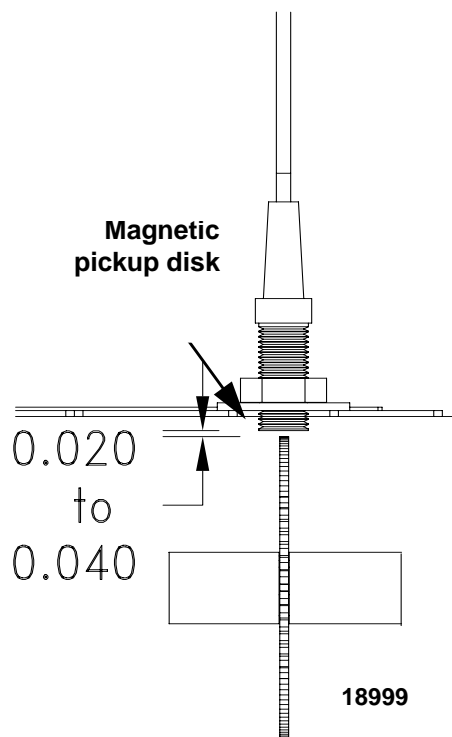


Figure 2

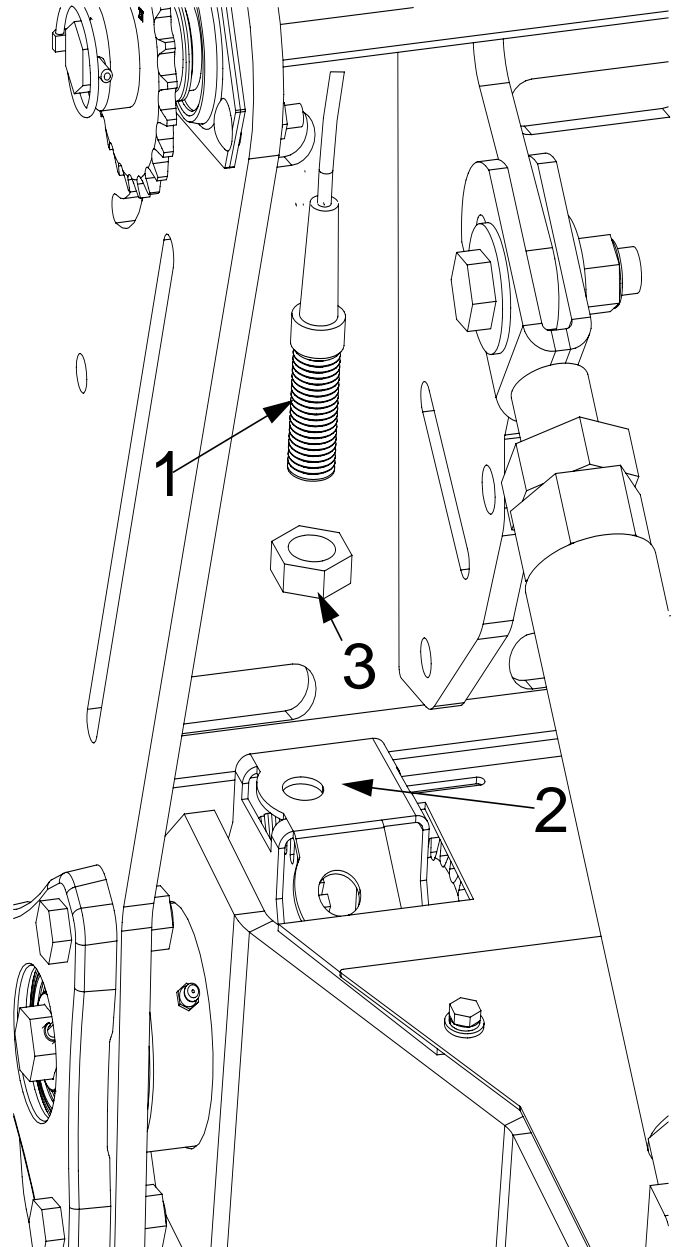


Figure 1

298-281K P-3PT 1-MODULE HARWARE BDL

Your kit includes:

| Qty. | Part No. | Part Description |
|------|----------|-------------------------------------|
| 1 | 196-645D | DICKEY-JOHN MODULE MOUNT |
| 1 | 298-284M | MANUAL 3-PT DJ SE MNTR INSTALLATION |
| 37 | 800-082C | CABLE TIE .31 X 21.5 6DIA 120 LB |
| 1 | 802-026C | HHCS 3/8-16 X 3 3/4 GR5 |
| 2 | 802-224C | HHCS 1/4-20 X 1 1/4 GR5 |
| 1 | 803-078C | NUT LOCK 3/8-16 NYLON INSERT |
| 2 | 803-255C | NUT HEX NYLOCK 1/4-20 |

298-282K P-3PT 2-MODULE HARWARE BDL

Your kit includes:

| Qty. | Part No. | Part Description |
|------|----------|-------------------------------------|
| 2 | 196-645D | DICKEY-JOHN MODULE MOUNT |
| 1 | 298-284M | MANUAL 3-PT DJ SE MNTR INSTALLATION |
| 37 | 800-082C | CABLE TIE .31 X 21.5 6DIA 120 LB |
| 2 | 802-026C | HHCS 3/8-16 X 3 3/4 GR5 |
| 4 | 802-224C | HHCS 1/4-20 X 1 1/4 GR5 |
| 2 | 803-078C | NUT LOCK 3/8-16 NYLON INSERT |
| 4 | 803-255C | NUT HEX NYLOCK 1/4-20 |

298-283K P-3PT 3-MODULE HARWARE BDL

Your kit includes:

| Qty. | Part No. | Part Description |
|------|----------|-------------------------------------|
| 3 | 196-645D | DICKEY-JOHN MODULE MOUNT |
| 1 | 298-284M | MANUAL 3-PT DJ SE MNTR INSTALLATION |
| 49 | 800-082C | CABLE TIE .31 X 21.5 6DIA 120 LB |
| 3 | 802-026C | HHCS 3/8-16 X 3 3/4 GR5 |
| 6 | 802-224C | HHCS 1/4-20 X 1 1/4 GR5 |
| 3 | 803-078C | NUT LOCK 3/8-16 NYLON INSERT |
| 6 | 803-255C | NUT HEX NYLOCK 1/4-20 |