

Installation Instructions



6 Foot Drill Native Grass Option

Used with:

- 605NT, 606NT
- 3P605NT, 3P606NP



When you see this symbol, the subsequent instructions and warnings are serious - follow without exception. Your life and the lives of others depend on it!

General Information

These instructions explain how to install the native grass option. The native grass option mounts behind the main drill box and allows you to plant very fine, fluffy seeds.

These instructions apply to:

NOTE: The following Field Installation Kits also apply to the 606NT and 3P606NT.

202-408A 605NT Native Grass Assembly
202-416A 3P605NT Native Grass Assembly
202-411A 605NT Native Grass w/SGS
202-447A 3P605NT Native Grass w/SGS

Manual Information

Refer to the 6 foot drill operator's manual for detailed information on safely operating, adjusting, troubleshooting and maintaining the native grass option. Refer to the parts manual for part identification.

Drill Manual Part Numbers

151-061M	6' No-Till Drill Operator's Manual
151-061P	6' No-Till Drill Parts Manual

Assembly Instructions

Walkboard Removal

Refer to Figure 1

1. Remove slow moving vehicle and bracket assembly (1). Save assembly and hardware (2) for later use.
2. Remove steps (3). Save steps and hardware (4) for later use.
3. Take off walkboard (5) by removing hardware (6). Discard walkboard and hardware.

Before You Start

Beginning on page 10 are detailed listings of parts included in the native grass option packages. Use the proper list to inventory parts received.

Definitions

Right-hand and left-hand as used in this manual are determined by facing the direction the machine will travel while in use unless otherwise stated.

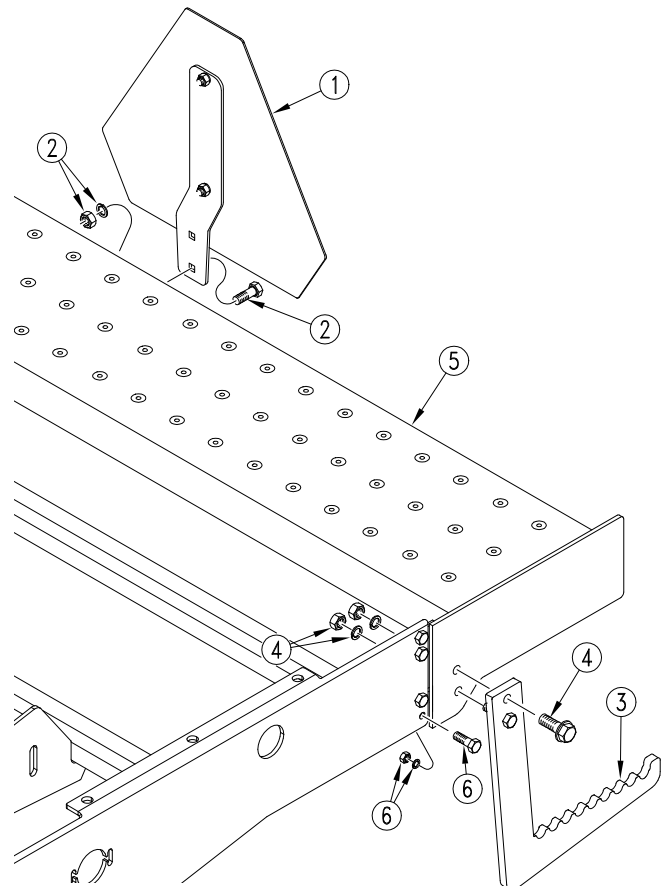


Figure 1
Walkboard Removal

18660

Native Grass Opener Removal

(For drills with S/N: VV1044 and below)

05 Series Opener Removal

Refer to Figure 2

1. Pull out seed hose (1) from opener seed tube.
Save clamp (2) for later use.
2. Remove spring rods (3) from mounting by removing 1/4 x 3/4 inch hex bolts (4). Save bolts, washers and nuts for later use.
3. Take off opener (5) from drill by removing 1/2 x 7-1/4 inch round head square neck bolt (6).
Save bolt and hex flange nut for later use.

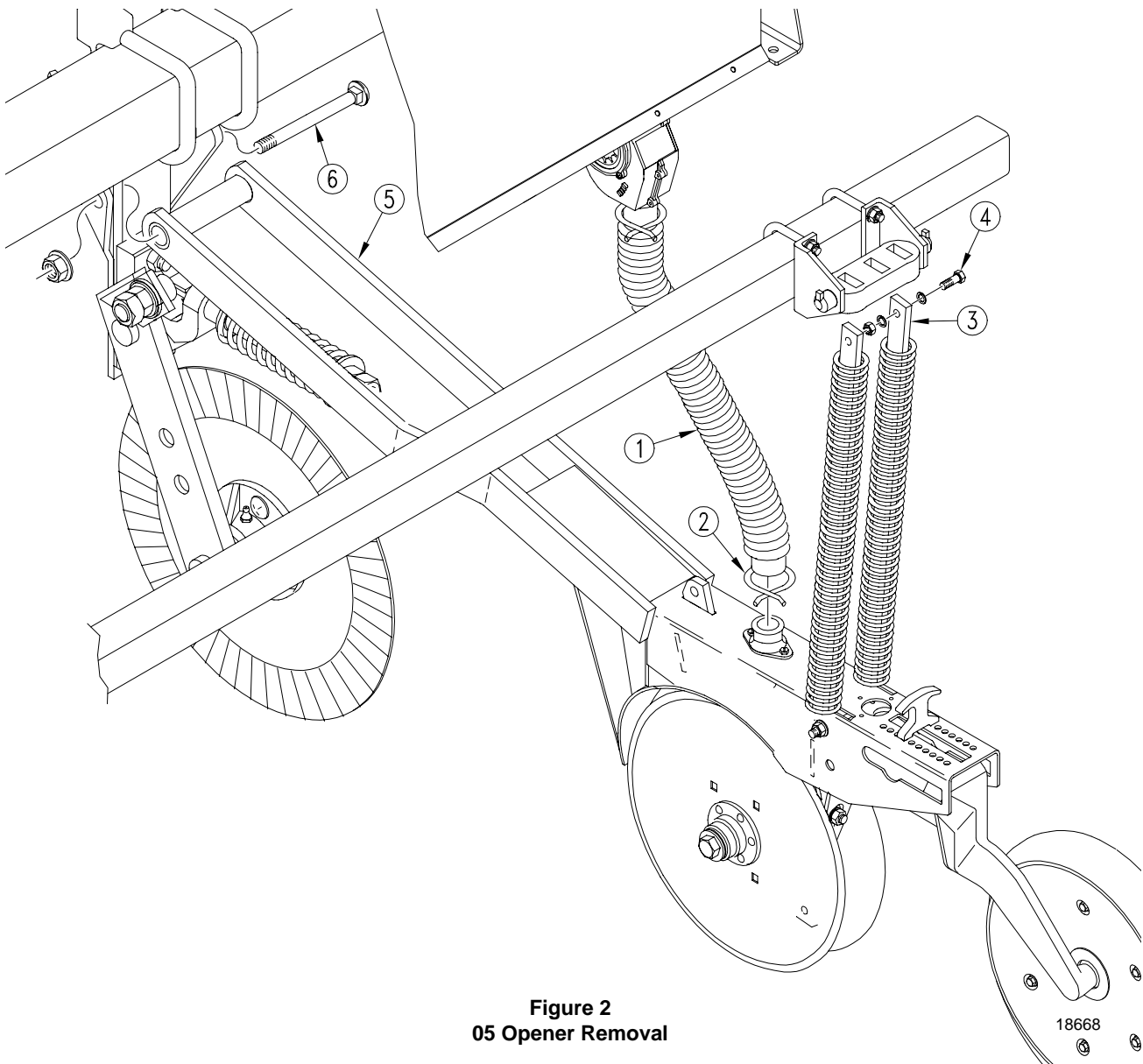


Figure 2
05 Opener Removal

18668

Native Grass Opener Installation

(For drills with S/N: VV1044 and below)

Refer to Figure 3

4. Install native grass opener (7) using the 1/2 x 7-1/4 inch round head square neck bolt (8) and hex flange nut.
5. Push spring rods (9) up through mounts and attach 1/4 x 3/4 inch hex bolts (10) as shown.
6. Attach seed hose (11) to native grass opener seed tube with clamp (12).
7. Place native grass hose (13) over native grass seed tube (14) and fasten with clamp (15). Save clamp (16) for later use.

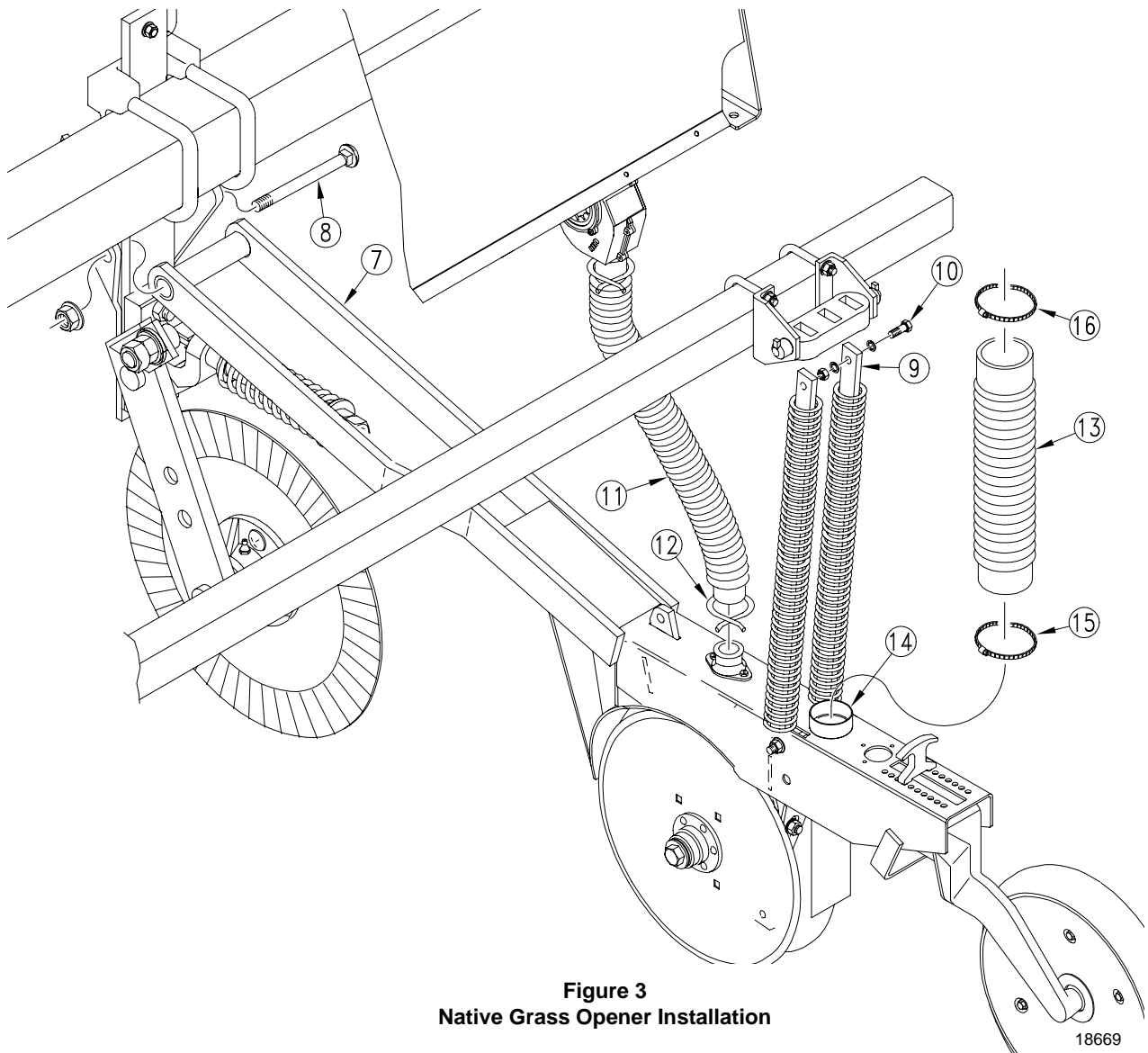


Figure 3
Native Grass Opener Installation

18669

Native Grass Seed Tube Installation

(For drills with S/N: VV1045 and above)

Refer to Figure 4

1. Insert the native grass seed tube (1) in the hole behind the springs and secure in place with two 10-16 x 3/8" screws and 1/4" flat washers.
2. Attach one end of the seed hose (2) to the seed tube (1) with a #40 hose clamp (3). Save the #42 hose clamps (4) to attach hose (2) to the native seed cup.

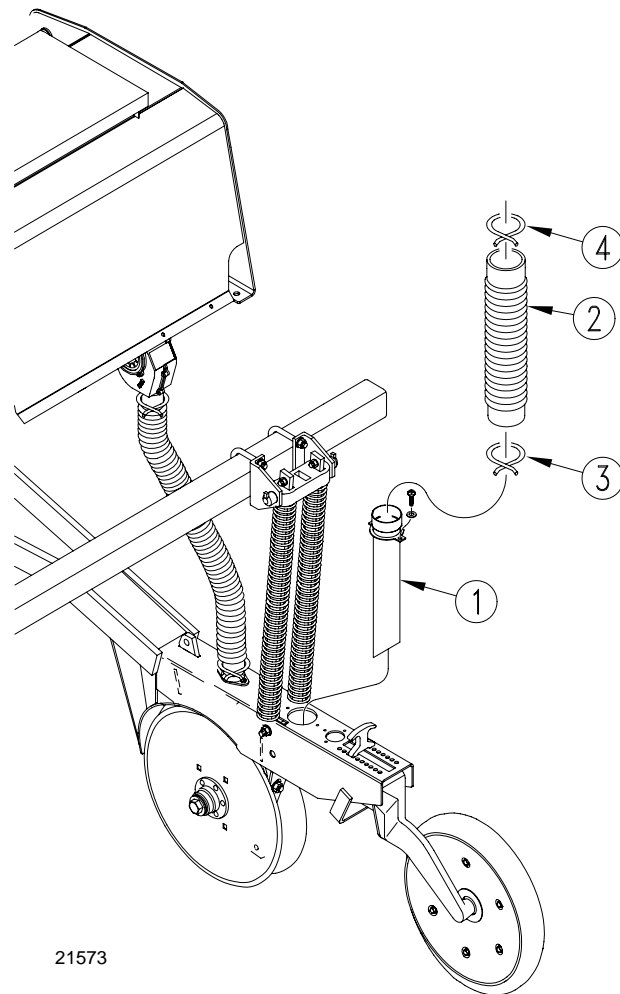


Figure 4
Seed Tube

Native Grass Box to Main Box Assembly

Refer to Figure 5

1. Remove handles (1) by removing 1/2 inch hex flange bolts (2) and hex flange nuts (3). Save bolts, nuts and handles for later use.

Refer to Figure 6

2. Mount the native grass seed box (4) to main box using eight 1/2 x 1-1/4 inch bolts (5), lock washers (6) and hex nuts (7).
3. Attach handles (8) with 1/2 inch hex flange bolts and hex flange nuts removed in step 8 above.
4. Attach top of native grass hoses to native grass seed cups with remaining hose clamps.

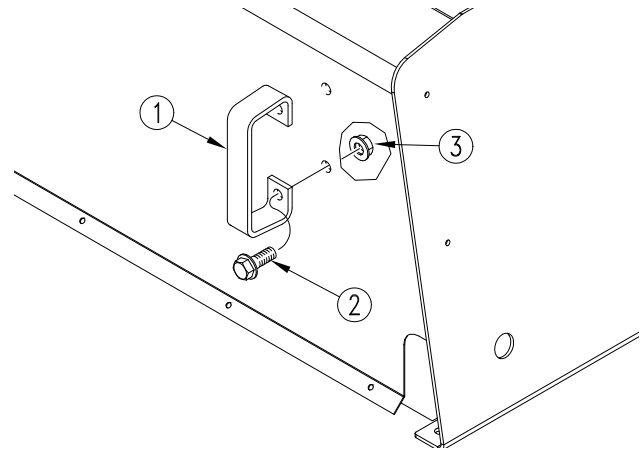


Figure 5
Handle Removal

18651

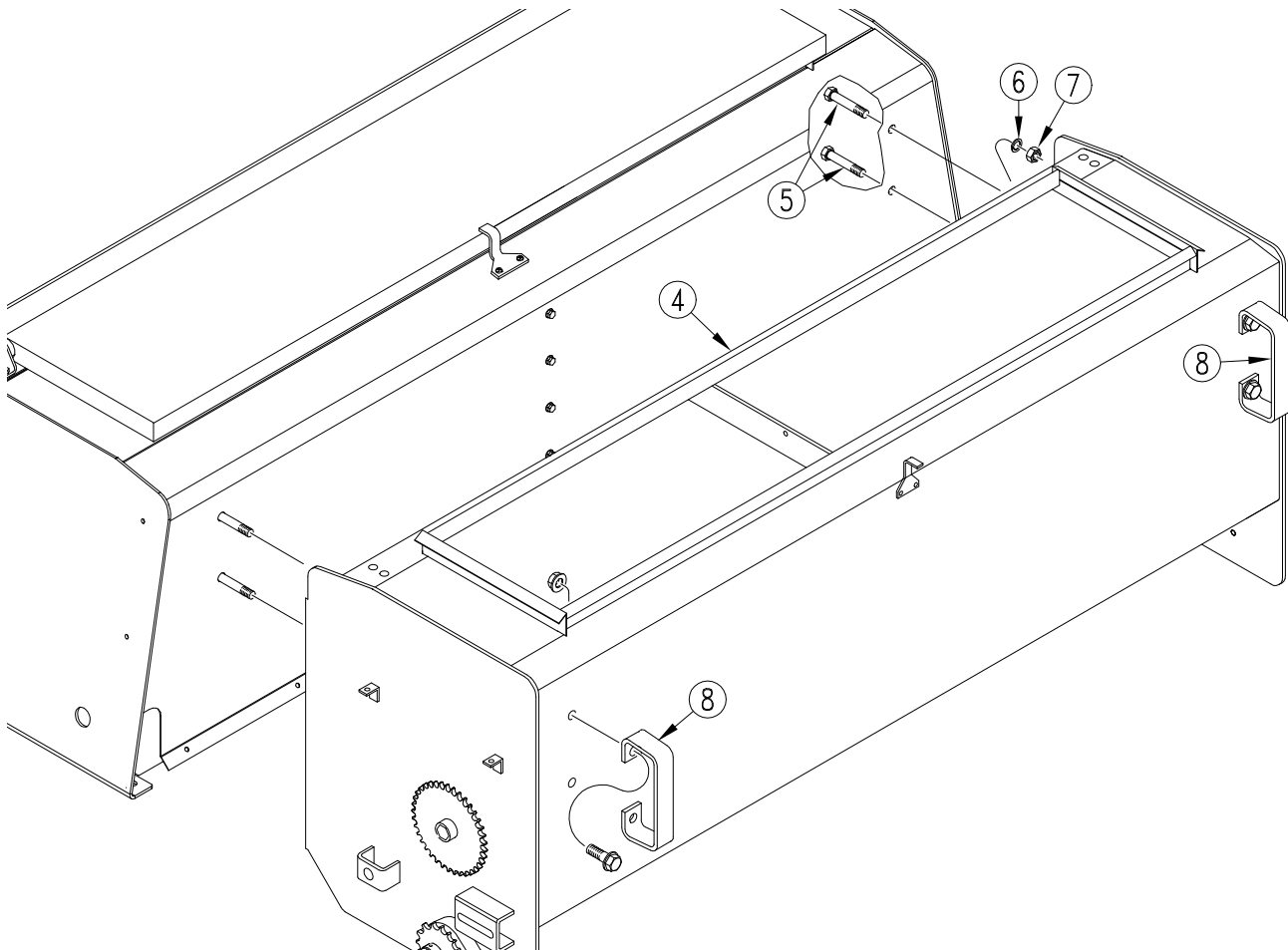


Figure 6
Native Grass Seed Box Mounting

18659

Drive Assembly

Refer to Figure 7

1. Mount bearings and flanges (1) to left side of drill frame and to the frame support as shown. Use 5/16 x 1 inch bolts (2), washers and nuts to secure flanges. Leave bolts loose.
2. Install native grass drive shaft (3) through bearings. As you install shaft, place 17 tooth sprocket (4) on shaft near left side of drill frame.
3. Place 17 tooth sprocket (5) on the right end of shaft.
4. Install three 12 tooth idler sprockets (6) in locations shown, using a 1/2 x 3-1/2 inch bolts (7), hex jam nuts (8), USS flat washers (9) and hex flange nuts (10).

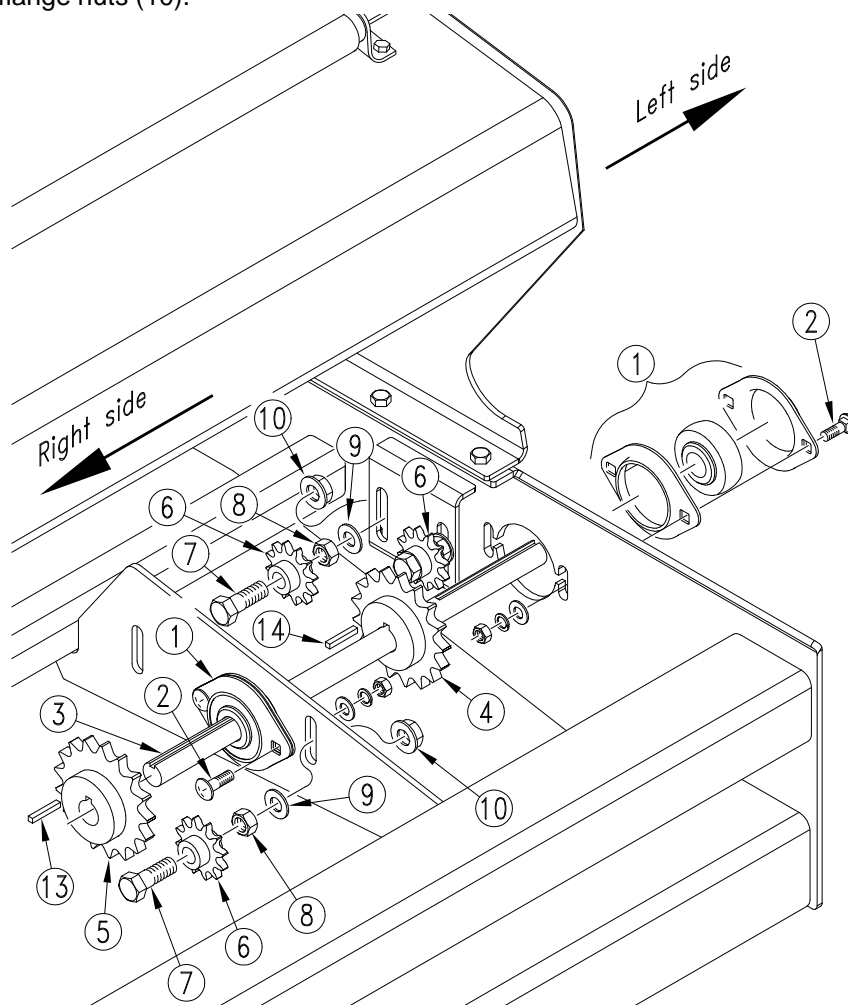


Figure 7
Native Grass Drive Assembly

18662

Refer to Figure 8

5. Place 16 tooth splined sprocket (11) on left rear gearbox shaft and secure with snap ring (12).
6. Refer to on the previous page. Align native grass drive shaft and tighten bearing flange bolts. Align 17 tooth sprockets and secure with keys (13) & (14).
7. Attach 17 tooth idler sprocket (15) and spacer (16) with 5/8 x 2 inch bolt (17) and hex flange nut (18) to mount as shown.
8. Attach 12 tooth idler sprocket (19) with 1/2 x 3 inch bolt (20), hex jam nut (21), USS flat washer (22) and hex flange nut (23).

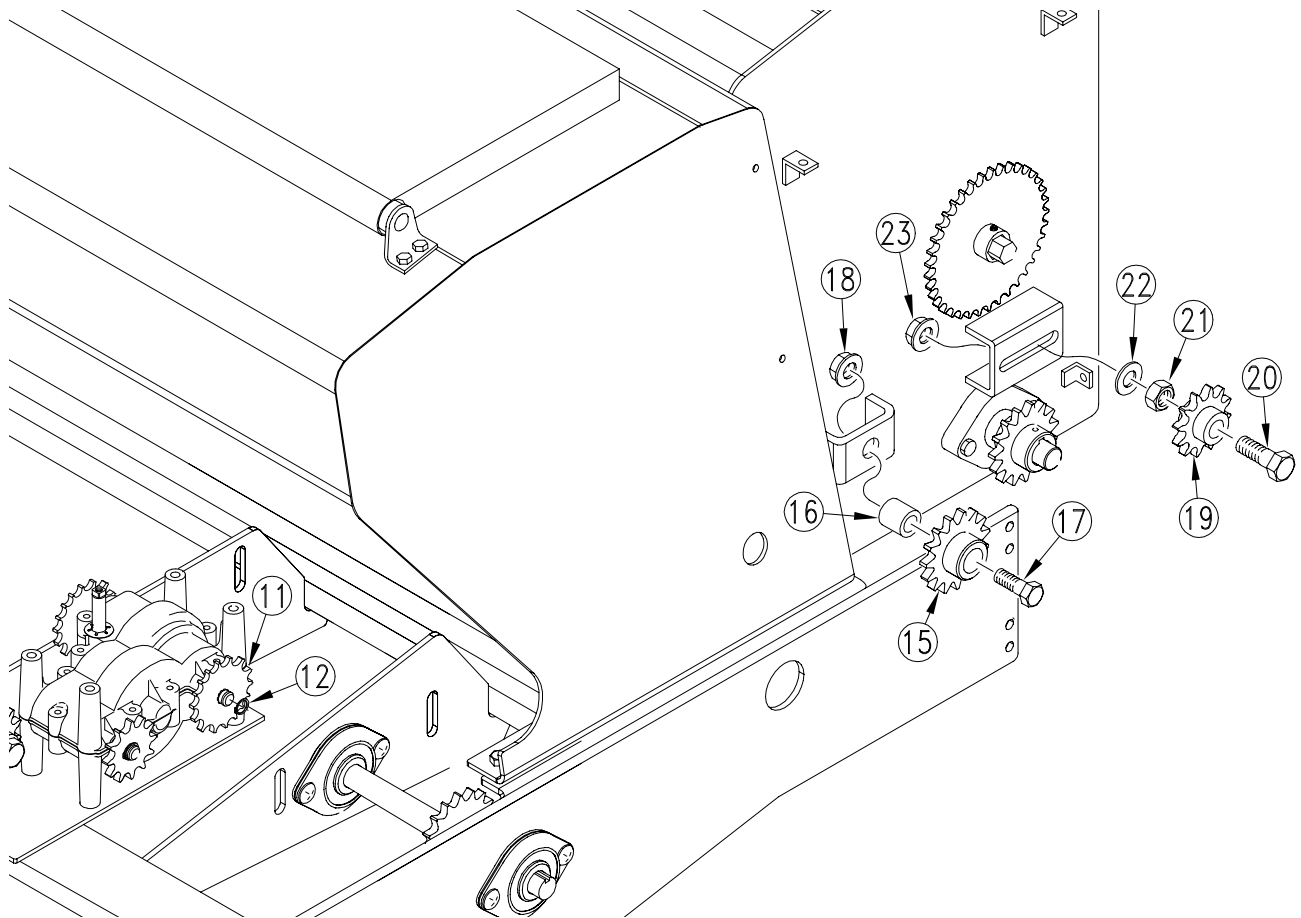


Figure 8
Native Grass Seed Box Idler Assembly

18663

8 | Native Grass Option

NOTE: For drills built prior to January 15th, 2004 see Figure 9.

Refer to Figure 9

9. Route chains as follows:
- The 44 pitch chain around new 16 tooth sprocket on gearbox (24) to the 17 tooth sprocket (25) near frame support.
 - The 166 pitch chain around the 17 tooth sprocket (26) on left side of drill frame to the native grass seed rate sprocket (27), then up to the native grass agitator sprocket (28).
- For drills with the optional agitator, include the main box agitator sprocket (29) in the 166 pitch chain routing as shown.

10. Adjust idlers to remove chain slack.

NOTE: For drills built after January 15th, 2004 see Figure 10.

Refer to Figure 10

10. Route chains as follows:
- The 45 pitch chain around new 16 tooth sprocket (13) on gearbox to 17 tooth sprocket (14).
11. Use additional bearing idler (15) to route chain to seed box agitator as shown.
12. Adjust idlers to remove chain slack.

IMPORTANT: For drills with the native grass option, include the agitator sprocket in the 166 pitch chain routing as shown.

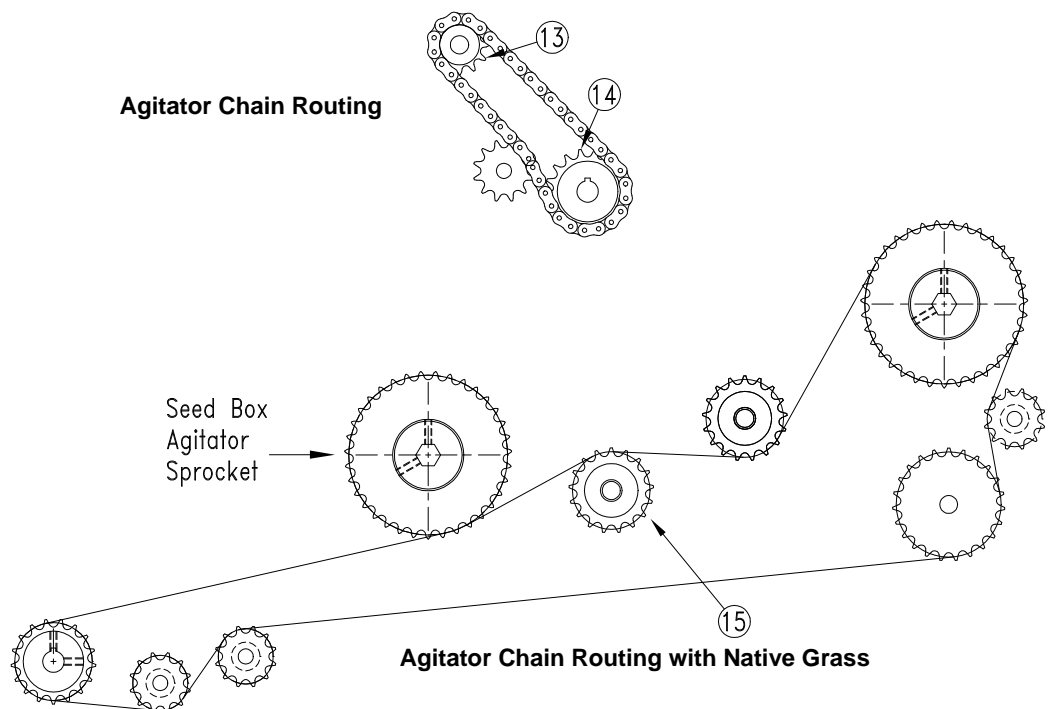
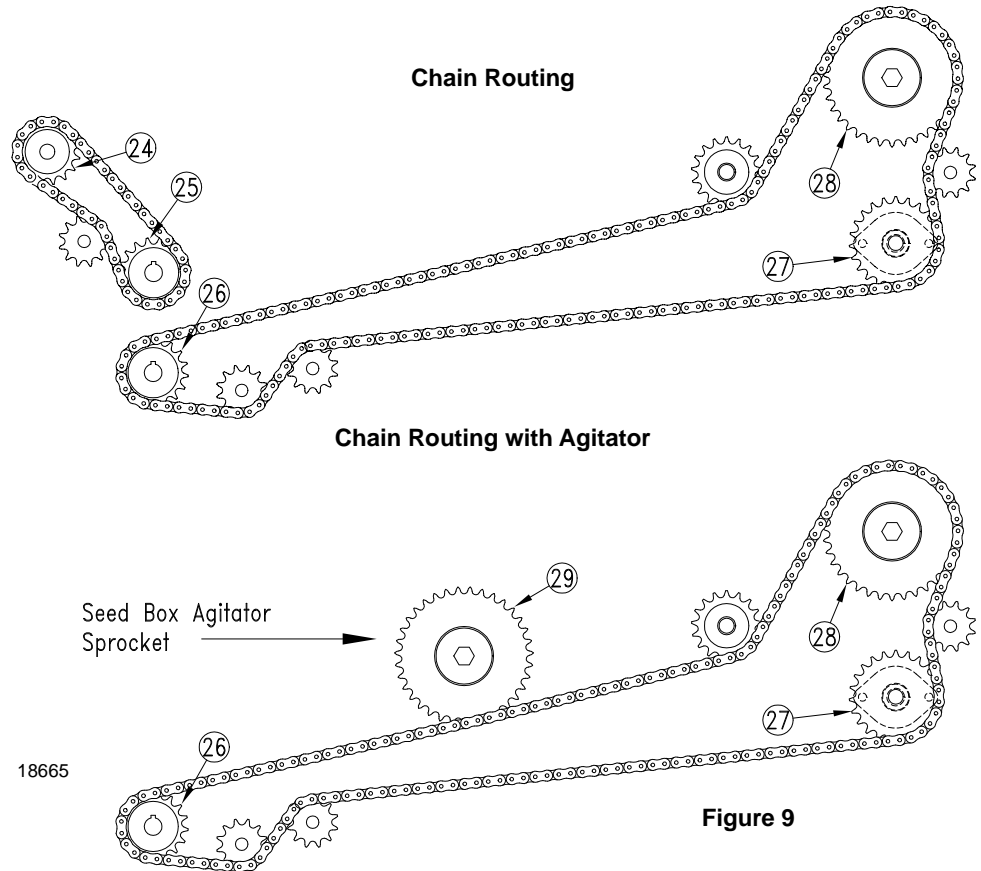


Figure 10

23114

Refer to Figure 11

For models built prior to January 15th, 2004 it will be necessary to drill a $2\frac{1}{32}$ " hole to help accommodate the seed box agitator. Use this diagram and related instructions for hole location and guard modifications.

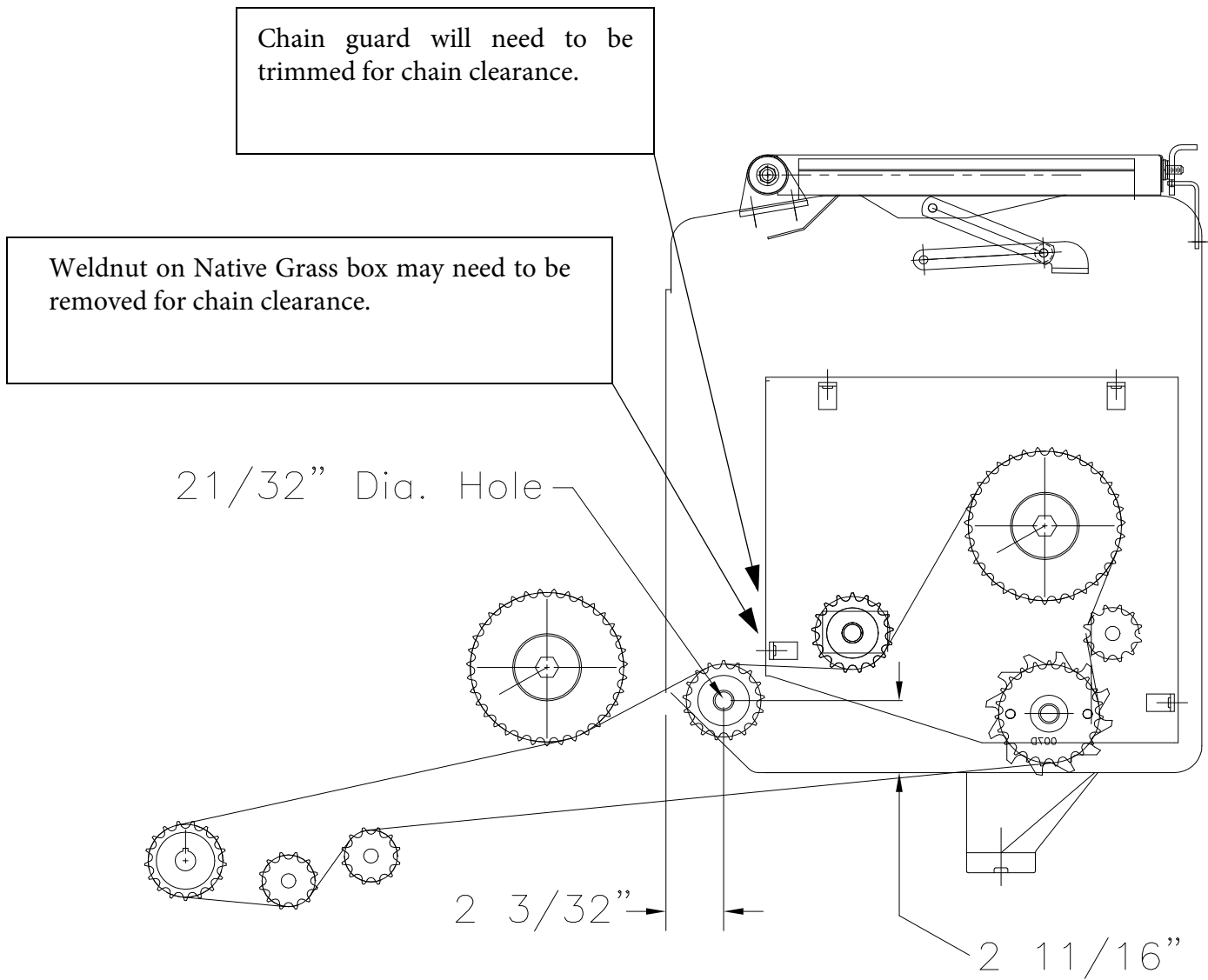


Figure 11
Box Modifications

21856

Refer to Figure 12

13. Attach box cover (24) by fastening the four thumb screws (25) to the weld nuts (26) on native grass left box panel.

Walkboard Assembly

Refer to Figure 13

14. Mount new walkboard (1) to drill using four 3/8 x 1-1/4 inch bolts (2), lock washers (3), and hex nuts (4).
15. Attach slow moving vehicle assembly (5) to the new walkboard (1) with hardware (6) saved on page 1, step 1.
16. Mount the two steps (7) to new walkboard using hardware (8) saved on page 1, step 2.

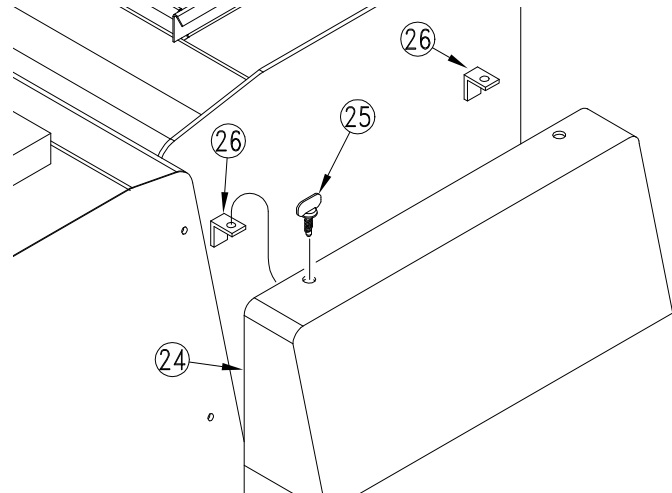
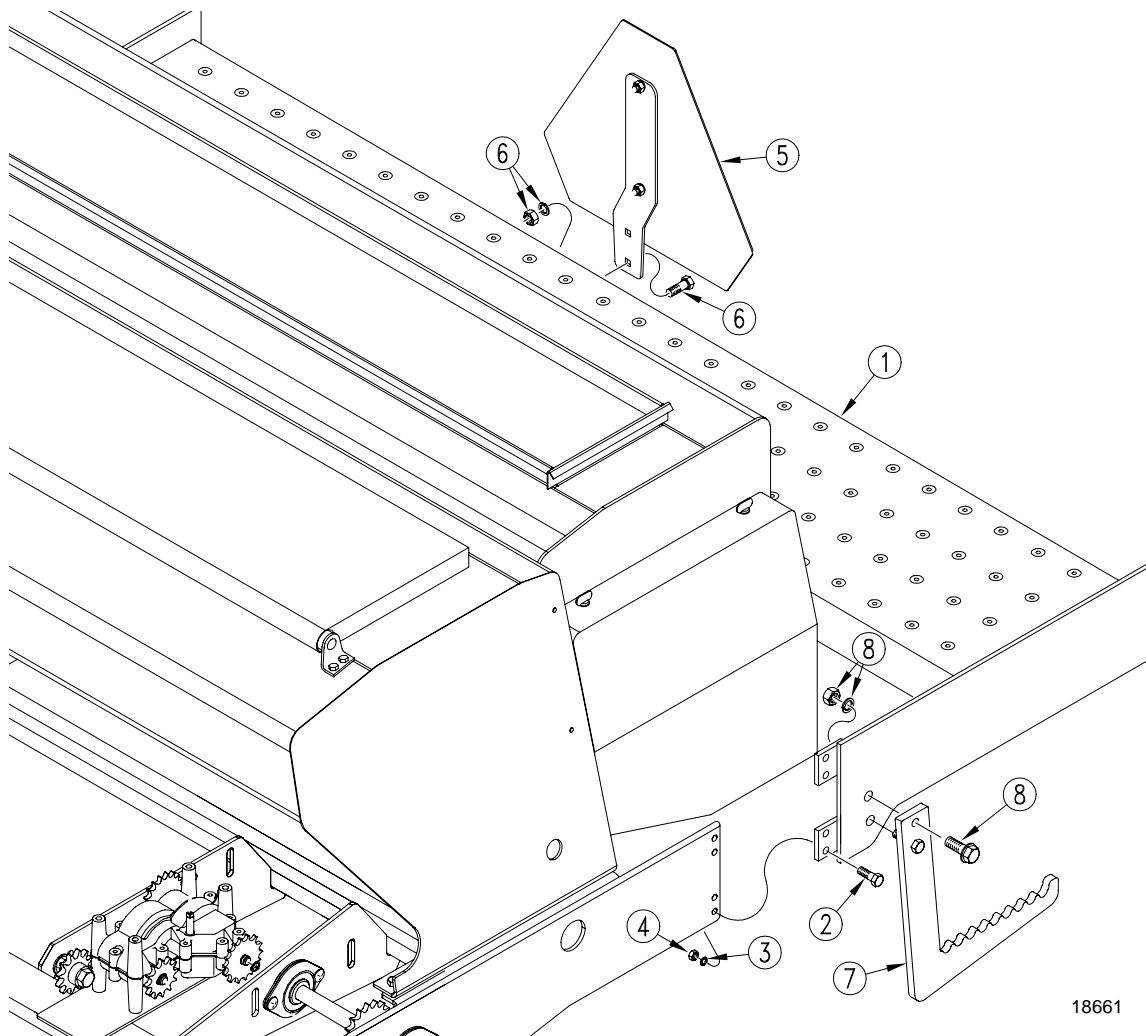


Figure 12
Native Grass Seed Box Cover

18664



18661

Figure 13
Native Grass Walkboard Installation

202-408A 605NT 7-1/2" NATIVE GRASS ASSY

Your kit includes:

Qty.	Part No.	Part Description
2	119-192D	STEP
1	119-273H	SEED & NG WALKBOARD WELDMENT
1	136-081D	CHAIN RL #40 44 PITCHES
1	136-168D	CHAIN RL #40 X 176 PITCHES
2	168-127D	3/16 X 1 KEY
1	202-180D	IDLER SPACER
1	202-182D	AUXILLARY DRIVE SHAFT
1	202-191D	NG BOX IDLER
1	202-414L	6 FT NG BOX & LID ASSY
1	202-448M	MANUAL 6' NATIVE GRASS INS
1	800-141C	SNAP RING EXT F/PEERLESS G.B.
9	800-341C	CLAMP HOSE 2 1/2 #40
9	800-346C	CLAMP HOSE 2 5/8 #42
4	801-042C	SCREW THUMB 5/16-18 X 5/8
18	801-172C	SCREW HEX SLT 10-16X3/4PLT
8	802-034C	HHCS 1/2-13X1 1/4 GR5
3	802-039C	HHCS 1/2-13X3 GR5
1	802-055C	HHCS 5/8-11X2 GR5
8	802-079C	HHCS 3/8-16X1 1/4 GR5
4	802-091C	HHCS 1/2-13X1 1/2 GR5
1	802-130C	HHCS 1/2-13X2 1/2 GR5
4	802-282C	RHSNB 5/16-18X1 GR5
4	803-008C	NUT HEX 5/16-18 PLT
8	803-014C	NUT HEX 3/8-16 PLT
8	803-020C	NUT HEX 1/2-13 PLT
4	803-036C	NUT HEX JAM 1/2-13 PLT
8	803-169C	NUT HEX FLG. LOCK 1/2-13 PLT
1	803-263C	NUT HEX FLANGE LOCK 5/8-11 PLT
18	804-007C	WASHER FLAT 1/4 SAE PLT
4	804-009C	WASHER LOCK SPRING 5/16 PLT
8	804-013C	WASHER LOCK SPRING 3/8 PLT
8	804-015C	WASHER LOCK SPRING 1/2 PLT
4	804-017C	WASHER FLAT 1/2 USS PLT
4	804-036C	WASHER FLAT 5/16 SAE PLT
1	808-046C	SPROCKET 40A17 IDLER
2	808-170C	SPKT 40B17 X 3/4BORE W/KW&SS
1	808-271C	SPKT 40B16 X 36T SPLINE BORE
9	816-180C	NATIVE GRASS SEED HOSE NO-TILL
3	817-025C	NO. 40 12T IDLER SPKT.
1	817-420C	NATIVE GRASS BOX COVER
9	817-507C	NATIVE GRASS TUBE
1	818-518C	DECAL MOVING CHAIN DANGER
2	822-040C	BEARING 3/4BORE 47MM SPHER
4	822-041C	FLANGETTE 47 MST
1	838-207C	DECAL 605NT

202-416A 3P605NT 7-1/2 NATIVE GRASS ASSY

Your kit includes:

Qty.	Part No.	Part Description
2	119-190D	HANDLE
2	119-193D	STAND MNT PLATE, SEED RH FRONT
1	119-273H	SEED & NG WALKBOARD WELDMENT
1	136-051D	CHAIN RL #40 166 PITCHES
1	136-081D	CHAIN RL #40 44 PITCHES
2	168-127D	3/16 X 1 KEY
1	202-180D	IDLER SPACER
1	202-182D	AUXILLARY DRIVE SHAFT
1	202-414L	6 FT NG BOX & LID ASSY
18	800-067C	CLAMP BAND 2 1/2
1	800-141C	SNAP RING EXT F/PEERLESS G.B.
4	801-042C	SCREW THUMB 5/16-18 X 5/8
4	802-034C	HHCS 1/2-13X1 1/4 GR5
4	802-039C	HHCS 1/2-13X3 GR5
1	802-055C	HHCS 5/8-11X2 GR5
8	802-079C	HHCS 3/8-16X1 1/4 GR5
4	802-203C	HFSS 1/2-13X1 1/2 GR5
4	802-282C	RHSNB 5/16-18X1 GR5
4	803-008C	NUT HEX 5/16-18 PLT
8	803-014C	NUT HEX 3/8-16 PLT
4	803-020C	NUT HEX 1/2-13 PLT
4	803-036C	NUT HEX JAM 1/2-13 PLT
8	803-169C	NUT HEX FLG. LOCK 1/2-13 PLT.
1	803-263C	NUT HEX FLANGE LOCK 5/8-11 PLT
4	804-009C	WASHER LOCK SPRING 5/16 PLT
8	804-013C	WASHER LOCK SPRING 3/8 PLT
4	804-015C	WASHER LOCK SPRING 1/2 PLT
4	804-017C	WASHER FLAT 1/2 USS PLT
4	804-036C	WASHER FLAT 5/16 SAE PLT
1	808-046C	SPROCKET 40A17 IDLER
2	808-170C	SPKT 40B17 X 3/4BORE W/KW&SS
1	808-271C	SPKT 40B16 X 36T SPLINE BORE
9	816-180C	NATIVE GRASS SEED HOSE NO-TILL
4	817-025C	NO. 40 12T IDLER SPKT.
1	817-420C	NATIVE GRASS BOX COVER
2	822-040C	BEARING 3/4BORE 47MM SPHERE OD
4	822-041C	FLANGETTE 47 MST
1	838-203C	DECAL 3P605NT

202-411A 605NT 7-1/2" NG AND SGS ASSY

Your kit includes:

Qty.	Part No.	Part Description
2	119-190D	HANDLE
2	119-193D	STAND MNT PLATE, SEED RH FRONT
1	119-274H	SEED,SGS,&NG WALKBOARD WELDMENT
1	136-051D	CHAIN RL #40 166 PITCHES
1	136-081D	CHAIN RL #40 44 PITCHES
2	168-127D	3/16 X 1 KEY
1	202-180D	IDLER SPACER
1	202-182D	AUXILLARY DRIVE SHAFT
1	202-414L	6 FT NG BOX & LID ASSY
18	800-067C	CLAMP BAND 2 1/2
1	800-141C	SNAP RING EXT F/PEERLESS G.B.
4	801-042C	SCREW THUMB 5/16-18 X 5/8
4	802-034C	HHCS 1/2-13X1 1/4 GR5
4	802-039C	HHCS 1/2-13X3 GR5
1	802-055C	HHCS 5/8-11X2 GR5LER
8	802-079C	HHCS 3/8-16X1 1/4 GR5
4	802-203C	HFSS 1/2-13X1 1/2 GR5
4	802-282C	RHSNB 5/16-18X1 GR5
4	803-008C	NUT HEX 5/16-18 PLT
8	803-014C	NUT HEX 3/8-16 PLT
4	803-020C	NUT HEX 1/2-13 PLT
4	803-036C	NUT HEX JAM 1/2-13 PLT
8	803-169C	NUT HEX FLG. LOCK 1/2-13 PLT.
1	803-263C	NUT HEX FLANGE LOCK 5/8-11 PLT
4	804-009C	WASHER LOCK SPRING 5/16 PLT
8	804-013C	WASHER LOCK SPRING 3/8 PLT
4	804-015C	WASHER LOCK SPRING 1/2 PLT
4	804-017C	WASHER FLAT 1/2 USS PLT
4	804-036C	WASHER FLAT 5/16 SAE PLT
1	808-046C	SPROCKET 40A17 IDLER
2	808-170C	SPKT 40B17 X 3/4BORE W/KW&SS
1	808-271C	SPKT 40B16 X 36T SPLINE BORE
9	816-180C	NATIVE GRASS SEED HOSE NO-TILL
4	817-025C	NO. 40 12T IDLER SPKT.
1	817-420C	NATIVE GRASS BOX COVER
2	822-040C	BEARING 3/4BORE 47MM SPHERE OD
4	822-041C	FLANGETTE 47 MST
1	838-207C	DECAL 605NT

202-447A 3P605NT 7-1/2" NG AND SGS ASSY

Your kit includes:

Qty.	Part No.	Part Description
2	119-190D	HANDLE
2	119-193D	STAND MNT PLATE, SEED RH FRONT
1	119-274H	SEED,SGS,&NG WALKBOARD WELDMENT
1	136-051D	CHAIN RL #40 166 PITCHES
1	136-081D	CHAIN RL #40 44 PITCHES
2	168-127D	3/16 X 1 KEY
1	202-180D	IDLER SPACER
1	202-182D	AUXILLARY DRIVE SHAFT
1	202-414L	6 FT NG BOX & LID ASSY
18	800-067C	CLAMP BAND 2 1/2
1	800-141C	SNAP RING EXT F/PEERLESS G.B.
4	801-042C	SCREW THUMB 5/16-18 X 5/8
4	802-034C	HHCS 1/2-13X1 1/4 GR5
4	802-039C	HHCS 1/2-13X3 GR5
1	802-055C	HHCS 5/8-11X2 GR5LER
8	802-079C	HHCS 3/8-16X1 1/4 GR5
4	802-203C	HFSS 1/2-13X1 1/2 GR5
4	802-282C	RHSNB 5/16-18X1 GR5
4	803-008C	NUT HEX 5/16-18 PLT
8	803-014C	NUT HEX 3/8-16 PLT
4	803-020C	NUT HEX 1/2-13 PLT
4	803-036C	NUT HEX JAM 1/2-13 PLT
8	803-169C	NUT HEX FLG. LOCK 1/2-13 PLT.
1	803-263C	NUT HEX FLANGE LOCK 5/8-11 PLT
4	804-009C	WASHER LOCK SPRING 5/16 PLT
8	804-013C	WASHER LOCK SPRING 3/8 PLT
4	804-015C	WASHER LOCK SPRING 1/2 PLT
4	804-017C	WASHER FLAT 1/2 USS PLT
4	804-036C	WASHER FLAT 5/16 SAE PLT
1	808-046C	SPROCKET 40A17 IDLER
2	808-170C	SPKT 40B17 X 3/4BORE W/KW&SS
1	808-271C	SPKT 40B16 X 36T SPLINE BORE
9	816-180C	NATIVE GRASS SEED HOSE NO-TILL
4	817-025C	NO. 40 12T IDLER SPKT.
1	817-420C	NATIVE GRASS BOX COVER
2	822-040C	BEARING 3/4BORE 47MM SPHERE OD
4	822-041C	FLANGETTE 47 MST
1	838-203C	DECAL 3P605NT