



Great Plains
Manufacturing, Inc.

Seed and Small Seeds Rate Charts

The following pages are to assist in the proper setting of seeding rates for the 2N-2410, 2N-2420, 2N-3010 and 2N-3020 Folding No-Till drill. The rates indicated in the charts are approximate values. To assure the most accurate seeding rate it is recommended that the drill be calibrated for the desired seed at the time of planting.

Table of Contents

Setting the Seeding Rate3
Shift Speed-Change Gearbox3
Adjust Seed-Rate Handle4
Set Seed-Cup Doors4
Check Seeding Rate4
Small Seeds Attachment4
Seed Rate Charts5
Small Seeds Attachment Seed Rate Chart9

Setting the Seeding Rate

Calibrating the seeding rate requires four steps: shifting the speed-change gearbox, adjusting the seed-rate handle, setting the seed-cup doors, and checking the seeding rate.

Check the seed-rate charts starting on page 5 or in the drill boxes. These charts list the proper settings for the speed-change gearbox and seed-rate handle for various seeds and seeding rates.

The seed-rate charts are based on cleaned, untreated seed of average size and test weight. The rates are based on 11L x 15 8-ply rib implement tires and 265/70B16 skid steer tires. Many factors will affect seeding rates including foreign material, seed treatment, seed size, field conditions, tire pressure and test weight. Minor adjustments likely will be needed. Set and check the seeding rate using the procedures below, then re-adjust the rate as necessary.

Before setting the seeding rate, rotate both gauge wheels to see that the seed cups and drive are working properly and free from foreign material.

Note: Each drill box has its own metering mechanism. After adjusting and checking the rate on one box, set the same rate on the other box.

Refer to *Figure 1*

1. Shift Speed-Change Gearbox

The speed-change gearbox is designed to give you a variety of speeds for different seeds and seeding rates. You can shift between four different drive types.

Refer to the seed-rate charts for the correct drive type—1, 2, 3 or 4. Move the selector handle on the gearbox until the correct number appears in the handle window. Rotate the tires a few turns to confirm the gearbox has engaged.

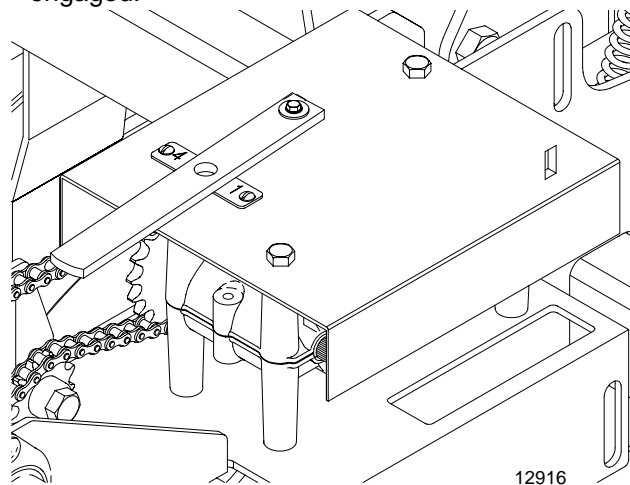


Figure 1
Speed-Change Gearbox

Gearbox Ratios:
Drive Type 2 is 2.06 Times Faster Than 1
Drive Type 3 is 3.08 Times Faster Than 1
Drive Type 4 is 5.03 Times Faster Than 1

Refer to Figure 2

2. Adjust Seed-Rate Handle

Position the handle to the setting indicated on the seed-rate chart. To adjust, loosen the wing nut under the handle and slide until indicator lines up with desired setting. Retighten nut.

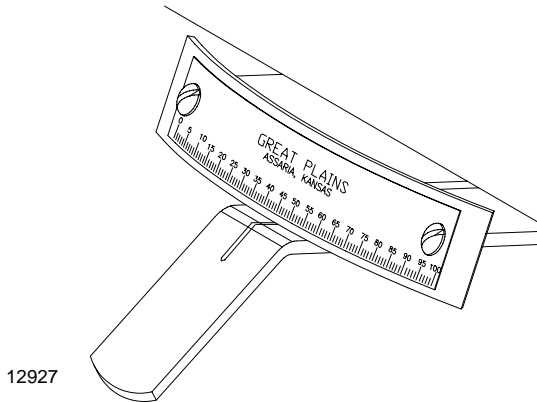


Figure 2
Seed-Rate Handle

Refer to Figure 3

3. Set Seed-Cup Doors

For wheat and other small seeds, move the seed-cup-door handles to the highest position. For soybeans and other large seeds, lower the handles to the second position. If excessive seed cracking occurs, lower the handles to the third position. For seed-cup clean out, move the handles to the fourth, wide-open position. Make sure all handles are in the same position before drilling.

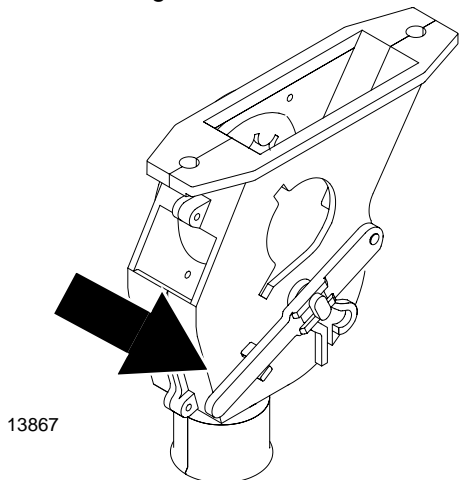


Figure 3
Seed-Cup Door Handle

4. Check Seeding Rate

- Place several pounds of seed over the three seed cups on the outside end of the drill box.
 - Disconnect the seed tubes from the three openers fed by the covered cups.
 - Raise the drill off the ground.
 - Record the empty weight of a container large enough to hold the seed metered for one acre.
 - Turn gauge wheels until seed drops to the ground from each cup.
 - Place a container under the three seed tubes to gather the seed as it is metered.
 - Rotate the gauge wheel until one acre has been tallied on the acremeter. This will be about 225 rotations on a 24-foot drill and about 181 rotations on a 30-foot drill. Check that the seed cups have plenty of seed coming into them.
 - Weigh the metered seed. Subtract the initial weight of the container. Divide by three. Multiply by the number of openers on your drill for the pounds-per-acre seeding rate. If this figure is different than desired, re-adjust the seed-rate handle and recheck the rate.
5. When satisfied with the seeding rate, repeat steps 1 through 3 for the other drill box, setting it to the same rate.

Small Seeds Attachment

To set the seeding rate, refer to the small-seeds-rate chart on page 9. Move the seed-rate handle on the attachment to the setting indicated on the chart.

To calibrate the attachment to your material, follow the steps listed under *Check Seeding Rate*, this page.

Seed Rate Charts (Pounds per acre)

Setting number	0	5	10	15	20	25	30	35	40	45	50	55	60	65	70	75	80	85	90	95	100	
Alfalfa Drive Type 1 (Based on 60#/bu)	Row Space 7.5"	1.8	4.6	7.0	10.0	12.8	16.0	19.1	22.7	26.3	30.7	34.3	37.5	41.5	45.3	49.3	52.9	57.5	61.8	66.3	68.3	70.2
	8"	1.7	4.3	6.5	9.4	12.1	15.0	17.9	21.3	24.7	28.8	32.2	35.2	39.0	42.6	46.3	49.6	54.0	58.0	62.3	64.1	65.9
	10"	1.4	3.5	5.2	7.5	9.7	12.0	14.4	17.1	19.8	23.1	25.8	28.2	31.2	34.1	37.1	39.8	43.2	46.5	49.9	51.4	52.8
Barley Drive Type 1 (Based on 51#/bu)	Row Space 7.5"	1.6	3.8	6.3	8.9	12.0	15.1	18.6	21.8	25.2	28.9	32.5	36.2	40.0	44.2	47.8	51.6	54.8	57.8	60.7	61.2	61.7
	8"	1.5	3.5	6.0	8.4	11.3	14.2	17.4	20.5	23.7	27.1	30.6	34.0	37.6	41.5	44.8	48.5	51.5	54.2	57.0	57.4	57.9
	10"	1.2	2.8	4.8	6.7	9.0	11.4	14.0	16.4	19.0	21.7	24.5	27.2	30.1	33.2	35.9	38.8	41.2	43.5	45.6	46.0	46.4
Barley Drive Type 2 (Based on 51#/bu)	Row Space 7.5"	2.9	7.2	13.3	18.0	24.9	30.9	37.7	44.9	51.7	59.4	66.4	72.8	80.2	87.1	95.0	102.6	111.1	119.1	126.8	128.8	130.8
	8"	2.7	6.8	12.4	16.9	23.4	29.0	35.4	42.2	48.5	55.8	62.3	68.3	75.2	81.7	89.2	96.3	104.3	111.8	119.0	120.9	122.8
	10"	2.2	5.4	10.0	13.6	18.7	23.2	28.4	33.8	38.9	44.7	49.9	54.7	60.3	65.5	71.4	77.2	83.5	89.6	95.3	96.8	98.4
Buckwheat Drive Type 2 (Based on 48#/bu)	Row Space 7.5"	0.0	4.5	11.7	17.2	24.3	30.6	36.5	43.8	51.2	58.3	65.7	72.4	79.5	86.9	93.7	101.9	107.8	114.4	121.2	122.0	122.7
	8"	0.0	4.2	10.9	16.2	22.9	28.7	34.3	41.1	48.1	54.7	61.7	68.0	74.6	81.6	87.9	95.6	101.2	107.4	113.8	114.5	115.2
	10"	0.0	3.4	8.8	13.0	18.3	23.0	27.5	32.9	38.5	43.8	49.4	54.5	59.8	65.4	70.5	76.6	81.1	86.1	91.2	91.8	92.3
Buckwheat Drive Type 3 (Based on 48#/bu)	Row Space 7.5"	0.0	9.4	17.6	24.6	35.0	43.7	54.4	65.2	77.3	89.3	103.0	113.5	125.8	138.3	150.2	163.5	175.0	187.4	211.3	202.3	204.5
	8"	0.0	8.8	16.5	23.1	32.9	41.0	51.0	61.2	72.5	83.9	96.7	106.5	118.1	129.9	141.0	153.5	164.3	175.9	198.3	189.9	191.9
	10"	0.0	7.1	13.2	18.5	26.3	32.9	40.9	49.0	58.1	67.2	77.4	85.3	94.6	104.0	112.9	122.9	131.6	140.9	158.9	152.2	153.8
Buffalo Grass Drive Type 1 (Based on 23#/bu)	Row Space 7.5"	0.0	0.4	1.8	3.1	4.5	5.9	7.3	8.8	10.3	11.7	13.0	14.0	15.1	16.1	17.3	18.6	20.0	21.5	23.0	21.7	20.4
	8"	0.0	0.4	1.7	2.9	4.2	5.5	6.9	8.2	9.6	11.0	12.2	13.2	14.2	15.1	16.2	17.5	18.8	20.1	21.6	20.4	19.1
	10"	0.0	0.3	1.4	2.3	3.4	4.4	5.5	6.6	7.7	8.8	9.8	10.5	11.4	12.1	13.0	14.0	15.1	16.1	17.3	16.3	15.3
Bermuda Grass Drive Type 1 (Based on 60#/bu)	Row Space 7.5"	0.0	2.1	3.7	5.6	7.9	9.7	11.5	14.0	16.3	18.4	20.5	22.5	24.4	26.5	28.7	30.7	32.9	34.9	37.1	38.7	40.5
	8"	0.0	2.0	3.4	5.3	7.4	9.1	10.8	13.2	15.3	17.3	19.2	21.1	22.9	24.9	26.9	28.9	30.9	32.8	34.8	36.3	38.0
	10"	0.0	1.6	2.8	4.2	6.0	7.3	8.6	10.5	12.2	13.8	15.4	16.9	18.4	20.0	21.6	23.1	24.7	26.3	27.9	29.1	30.5
Bermuda Grass Drive Type 2 (Based on 60#/bu)	Row Space 7.5"	0.0	4.3	7.5	11.6	16.2	20.0	23.6	28.8	33.5	37.8	42.1	46.2	50.2	54.6	58.9	63.2	67.6	71.8	76.2	79.5	83.3
	8"	0.0	4.1	7.1	10.9	15.3	18.7	22.2	27.0	31.4	35.5	39.5	43.4	47.1	51.2	55.3	59.3	63.5	67.4	71.5	74.6	78.2
	10"	0.0	3.3	5.7	8.7	12.3	15.0	17.8	21.7	25.2	28.4	31.6	34.7	37.8	41.0	44.3	47.5	50.8	54.0	57.3	59.8	62.7
Bermuda Grass Drive Type 3 (Based on 60#/bu)	Row Space 7.5"	0.0	5.1	11.5	16.9	24.1	29.9	36.6	42.5	48.8	55.3	61.2	67.6	73.6	79.9	86.0	92.9	97.5	103.6	109.7	114.0	119.1
	8"	0.0	4.8	10.8	15.9	22.7	28.1	34.4	39.9	45.8	51.9	57.5	63.5	69.1	75.0	80.7	87.2	91.6	97.2	103.0	107.0	111.8
	10"	0.0	3.8	8.7	12.7	18.2	22.5	27.5	32.0	36.7	41.6	46.0	50.8	55.4	60.1	64.6	69.9	73.4	77.9	82.5	85.7	89.5
Bermuda Grass Drive Type 4 (Based on 60#/bu)	Row Space 7.5"	0.0	8.3	18.8	27.6	39.4	48.8	59.7	69.3	79.5	90.1	99.8	110.2	120.1	130.3	140.1	151.5	159.0	168.9	178.9	185.8	194.1
	8"	0.0	7.8	17.6	25.9	37.0	45.8	56.0	65.0	74.6	84.6	93.7	103.5	112.7	122.3	131.6	142.2	149.3	158.5	168.0	174.4	182.2
	10"	0.0	6.2	14.1	20.7	29.7	36.7	44.9	52.1	59.8	67.8	75.1	82.9	90.3	98.0	105.4	114.0	119.6	127.0	134.6	139.7	146.0
Fescue K-31 Drive Type 2 (Based on 21#/bu)	Row Space 7.5"	2.3	4.2	6.3	8.9	11.3	13.8	17.1	19.2	22.1	24.8	28.4	30.3	33.0	35.9	38.6	41.3	43.9	46.0	47.8	48.9	49.2
	8"	2.1	3.9	5.9	8.3	10.6	13.0	16.0	18.0	20.7	23.3	26.6	28.4	31.0	33.7	36.3	38.8	41.3	43.2	44.9	45.9	46.2
	10"	1.7	3.1	4.7	6.7	8.5	10.4	12.8	14.4	16.6	18.6	21.3	22.8	24.8	27.0	29.1	31.1	33.0	34.6	35.9	36.8	37.0
Fescue K-31 Drive Type 3 (Based on 21#/bu)	Row Space 7.5"	2.4	5.8	9.7	13.3	17.0	21.5	24.8	29.7	33.8	38.1	41.5	46.1	50.2	54.1	57.9	62.0	65.7	69.1	72.2	72.9	74.9
	8"	2.3	5.4	9.1	12.5	15.9	20.2	23.3	27.9	31.7	35.8	39.0	43.3	47.1	50.8	54.4	58.2	61.6	64.8	67.8	68.4	70.3
	10"	1.8	4.4	7.3	10.0	12.8	16.2	18.6	22.3	25.4	28.7	31.2	34.7	37.8	40.7	43.6	46.6	49.4	51.9	54.3	54.8	56.3
Fescue K-31 Drive Type 4 (Based on 21#/bu)	Row Space 7.5"	3.9	9.4	15.8	21.7	27.7	35.0	40.4	48.4	55.1	62.2	67.7	75.2	81.9	88.2	94.5	101.0	107.1	112.6	117.7	118.9	122.1
	8"	3.7	8.9	14.8	20.3	26.0	32.9	37.9	45.5	51.7	58.4	63.5	70.6	76.9	82.8	88.7	94.9	100.5	105.7	110.5	111.6	114.7
	10"	3.0	7.1	11.9	16.3	20.8	26.3	30.4	36.4	41.4	46.8	50.9	56.5	61.6	66.3	71.1	76.0	80.5	84.7	88.6	89.4	91.9

Seed Rate Chart (Con't.) (Pounds per acre)

Setting number		0	5	10	15	20	25	30	35	40	45	50	55	60	65	70	75	80	85	90	95	100
Flax/Sudan Drive Type 1 (Based on 55#/bu)	Row Space 7.5"	0.0	3.1	6.9	9.8	13.5	16.8	20.2	23.6	27.4	30.9	35.0	38.2	41.7	45.5	49.4	54.1	58.3	63.3	68.5	69.6	71.0
	Row Space 8"	0.0	2.9	6.4	9.2	12.6	15.8	19.0	22.2	25.7	29.0	32.8	35.9	39.2	42.7	46.4	50.8	54.8	59.5	64.3	65.3	66.6
	Row Space 10"	0.0	2.4	5.2	7.4	10.1	12.7	15.2	17.8	20.6	23.3	26.3	28.7	31.4	34.2	37.2	40.7	43.9	47.6	51.5	52.4	53.4
K.Bluegrass Drive Type 3 (Based on 23#/bu)	Row Space 7.5"	0.0	4.6	7.5	9.9	13.5	15.9	19.1	22.2	25.4	28.7	32.1	35.0	38.1	41.3	44.2	47.4	50.0	52.6	54.8	56.7	58.4
	Row Space 8"	0.0	4.3	7.1	9.3	12.7	15.0	17.9	20.9	23.8	27.0	30.2	32.9	35.8	38.8	41.5	44.5	46.9	49.4	51.4	53.3	54.8
	Row Space 10"	0.0	3.5	5.7	7.4	10.2	12.0	14.3	16.7	19.1	21.6	24.2	26.3	28.7	31.1	33.2	35.7	37.6	39.6	41.2	42.7	43.9
K.Bluegrass Drive Type 4 (Based on 23#/bu)	Row Space 7.5"	0.0	7.5	12.3	16.1	22.0	26.0	31.1	36.2	41.3	46.8	52.4	57.1	62.2	67.3	72.0	77.3	81.5	85.8	89.3	92.5	95.2
	Row Space 8"	0.0	7.0	11.5	15.2	20.7	24.4	29.2	34.0	38.8	44.0	49.2	53.6	58.4	63.2	67.6	72.6	76.5	80.6	83.8	86.8	89.4
	Row Space 10"	0.0	5.6	9.3	12.1	16.6	19.5	23.4	27.2	31.1	35.2	39.4	42.9	46.8	50.6	54.2	58.2	61.3	64.5	67.1	69.6	71.6
Millet Drive Type 1 (Based on 60#/bu)	Row Space 7.5"	1.2	3.9	6.9	9.8	13.1	16.3	19.6	22.8	26.3	29.8	33.3	36.8	40.6	43.8	47.7	51.6	55.2	59.2	63.4	64.4	65.3
	Row Space 8"	1.1	3.7	6.4	9.2	12.3	15.3	18.4	21.4	24.7	28.0	31.2	34.5	38.1	41.2	44.8	48.5	51.8	55.6	59.5	60.4	61.3
	Row Space 10"	0.9	2.9	5.2	7.4	9.8	12.2	14.7	17.1	19.8	22.4	25.0	27.7	30.5	33.0	35.9	38.8	41.5	44.5	47.7	48.4	49.1
Milo Drive Type 1 (Based on 60#/bu)	Row Space 7.5"	0.0	3.9	7.4	10.9	14.8	18.8	23.3	28.0	32.7	37.5	43.1	47.5	52.5	57.6	62.5	67.6	72.4	76.7	81.7	83.9	85.4
	Row Space 8"	0.0	3.7	6.9	10.2	13.9	17.6	21.8	26.3	30.7	35.2	40.4	44.5	49.3	54.0	58.7	63.4	68.0	72.0	76.7	78.7	80.1
	Row Space 10"	0.0	2.9	5.5	8.2	11.1	14.1	17.5	21.1	24.6	28.2	32.4	35.7	39.5	43.3	47.0	50.8	54.5	57.7	61.4	63.1	64.2
Oats Drive Type 2 (Based on 37#/bu)	Row Space 7.5"	0.0	2.1	6.1	9.7	14.2	17.5	22.2	25.6	29.8	33.8	38.3	42.3	46.8	51.5	56.2	61.3	65.7	70.3	75.5	77.1	77.9
	Row Space 8"	0.0	2.0	5.7	9.1	13.3	16.5	20.9	24.0	28.0	31.7	36.0	39.7	44.0	48.4	52.7	57.6	61.6	66.0	70.9	72.4	73.1
	Row Space 10"	0.0	1.6	4.6	7.3	10.7	13.2	16.7	19.2	22.4	25.4	28.8	31.8	35.2	38.7	42.2	46.1	49.4	52.9	56.8	58.0	58.6
Oats Drive Type 3 (Based on 37#/bu)	Row Space 7.5"	0.0	4.3	10.1	14.5	20.0	26.3	32.4	39.1	45.9	52.9	60.4	66.6	73.6	80.4	87.4	94.4	101.4	108.4	115.9	117.3	116.9
	Row Space 8"	0.0	4.1	9.5	13.6	18.8	24.7	30.4	36.7	43.1	49.6	56.7	62.6	69.1	75.5	82.0	88.6	95.2	101.8	108.8	110.2	109.7
	Row Space 10"	0.0	3.3	7.6	10.9	15.1	19.8	24.3	29.4	34.5	39.8	45.4	50.1	55.4	60.5	65.7	71.0	76.3	81.5	87.2	88.2	87.9
Orchard Grass Drive Type 1 (Based on 18#/bu)	Row Space 7.5"	0.0	0.7	1.5	2.2	3.0	3.7	4.4	5.3	6.1	7.0	8.0	8.8	9.8	10.8	11.7	12.8	13.5	14.3	14.9	15.3	15.5
	Row Space 8"	0.0	0.7	1.4	2.1	2.8	3.5	4.1	5.0	5.7	6.6	7.5	8.3	9.2	10.1	11.0	12.0	12.7	13.4	14.0	14.3	14.6
	Row Space 10"	0.0	0.5	1.1	1.6	2.3	2.8	3.3	4.0	4.6	5.3	6.0	6.7	7.4	8.1	8.8	9.6	10.2	10.7	11.2	11.5	11.7
Orchard Grass Drive Type 2 (Based on 18#/bu)	Row Space 7.5"	0.0	1.4	3.1	4.5	6.2	7.6	9.0	10.9	12.6	14.5	16.4	18.2	20.1	22.2	24.1	26.3	27.8	29.3	30.6	31.4	31.9
	Row Space 8"	0.0	1.4	2.9	4.2	5.8	7.1	8.5	10.3	11.8	13.6	15.4	17.1	18.9	20.9	22.7	24.7	26.1	27.5	28.7	29.5	30.0
	Row Space 10"	0.0	1.1	2.4	3.4	4.7	5.7	6.8	8.2	9.4	10.9	12.3	13.7	15.1	16.7	18.2	19.7	20.9	22.0	23.0	23.6	24.0
Orchard Grass Drive Type 3 (Based on 18#/bu)	Row Space 7.5"	0.0	2.7	4.5	6.5	9.1	10.9	13.0	15.5	17.6	20.5	23.1	26.1	29.0	31.9	34.8	37.7	39.8	41.8	43.8	45.4	46.9
	Row Space 8"	0.0	2.5	4.2	6.1	8.6	10.2	12.2	14.5	16.5	19.3	21.6	24.5	27.2	29.9	32.6	35.4	37.4	39.2	41.2	42.6	44.0
	Row Space 10"	0.0	2.0	3.4	4.9	6.9	8.2	9.8	11.6	13.3	15.4	17.3	19.6	21.8	24.0	26.1	28.4	30.0	31.4	33.0	34.1	35.3
Orchard Grass Drive Type 4 (Based on 18#/bu)	Row Space 7.5"	0.0	4.3	7.5	10.6	14.9	17.7	21.1	25.2	28.7	33.5	37.6	42.5	47.2	52.0	56.7	61.5	65.0	68.1	71.5	74.0	76.5
	Row Space 8"	0.0	4.1	6.9	10.0	14.0	16.6	19.8	23.7	27.0	31.4	35.3	39.9	44.3	48.8	53.2	57.7	61.0	63.9	67.1	69.5	71.8
	Row Space 10"	0.0	3.3	5.5	8.0	11.2	13.3	15.9	18.9	21.6	25.2	28.3	32.0	35.5	39.1	42.6	46.3	48.8	51.2	53.8	55.7	57.5
Peas Drive Type 3 (Based on 18#/bu)	Row Space 7.5"	0.0	0.0	15.8	28.5	43.4	57.5	70.2	85.2	99.5	114.9	129.0	141.7	155.7	168.5	182.5	196.9	209.8	222.6	235.4	236.6	237.7
	Row Space 8"	0.0	0.0	14.9	26.7	40.7	53.9	65.9	80.0	93.4	107.9	121.1	133.0	146.2	158.2	171.3	184.9	197.0	209.0	221.0	222.1	223.1
	Row Space 10"	0.0	0.0	11.9	21.4	32.6	43.2	52.8	64.1	74.8	86.4	97.0	106.6	117.1	126.7	137.3	148.1	157.8	167.4	177.0	177.9	178.7
Peas Drive Type 4 (Based on 18#/bu)	Row Space 7.5"	0.0	0.0	18.5	39.4	61.0	82.7	102.7	126.4	148.8	171.2	191.9	213.7	233.8	255.9	276.7	297.7	318.9	338.9	358.0	358.6	359.2
	Row Space 8"	0.0	0.0	17.3	37.0	57.2	77.6	96.4	118.6	139.7	160.8	180.3	200.7	219.5	240.2	259.8	279.5	299.3	318.2	336.1	336.7	337.2
	Row Space 10"	0.0	0.0	13.9	29.6	45.8	62.2	77.3	95.0	111.9	128.8	144.3	160.8	175.9	192.4	208.1	223.9	239.8	254.9	269.2	269.7	270.1

Seed Rate Chart (Con't.) (Pounds per acre)

Setting number	0	5	10	15	20	25	30	35	40	45	50	55	60	65	70	75	80	85	90	95	100	
Pinto Beans Drive Type 1 (Based on 61#/bu)	Row Space 7.5"	0.0	0.0	7.1	10.8	14.6	19.7	24.7	29.5	34.5	39.4	44.3	48.7	53.2	57.6	62.3	67.5	71.4	75.9	80.8	80.7	80.5
	8"	0.0	0.0	6.7	10.1	13.7	18.5	23.2	27.7	32.3	37.0	41.6	45.7	50.0	54.0	58.4	63.4	67.0	71.2	75.8	75.7	75.6
	10"	0.0	0.0	5.3	8.1	11.0	14.8	18.6	22.2	25.9	29.6	33.3	36.6	40.0	43.3	46.8	50.8	53.7	57.1	60.7	60.7	60.5
Rape Drive Type 1 (Based on 51#/bu)	Row Space 7.5"	0.0	3.4	6.5	8.8	11.9	14.6	17.5	20.8	23.9	26.9	30.2	32.9	35.9	38.9	42.2	45.3	49.0	52.7	56.6	57.9	59.5
	8"	0.0	3.2	6.1	8.3	11.2	13.7	16.5	19.6	22.4	25.3	28.3	30.9	33.7	36.5	39.6	42.5	46.0	49.5	53.1	54.3	55.9
	10"	0.0	2.5	4.9	6.7	9.0	11.0	13.2	15.7	18.0	20.3	22.7	24.7	27.0	29.3	31.7	34.0	36.9	39.6	42.6	43.5	44.8
Rice-Sh Grain Drive Type 2 (Based on 43#/bu)	Row Space 7.5"	0.0	4.8	9.1	15.8	21.6	26.2	32.9	37.2	42.7	48.4	54.3	59.7	65.2	70.8	76.9	83.0	88.5	94.5	100.6	101.1	101.6
	8"	0.0	4.5	8.5	14.8	20.3	24.6	30.9	34.9	40.0	45.5	51.0	56.1	61.2	66.5	72.2	77.9	83.1	88.7	94.4	94.9	95.4
	10"	0.0	3.6	6.8	11.9	16.3	19.7	24.8	28.0	32.1	36.4	40.9	44.9	49.0	53.3	57.9	62.4	66.6	71.1	75.7	76.0	76.4
Rice-Sh Grain Drive Type 3 (Based on 43#/bu)	Row Space 7.5"	2.4	9.2	15.1	23.7	32.1	38.1	46.4	53.1	61.3	70.0	80.0	89.3	98.0	107.0	115.9	123.7	130.9	138.1	145.6	145.6	145.6
	8"	2.3	8.6	14.2	22.2	30.1	35.8	43.6	49.9	57.6	65.7	75.1	83.9	92.0	100.4	108.8	116.2	122.8	129.6	136.7	136.7	136.7
	10"	1.8	6.9	11.3	17.8	34.1	28.7	34.9	39.9	46.1	52.7	60.1	67.2	73.7	80.4	87.2	93.1	98.4	103.9	109.5	109.5	109.5
Rice-Sh Grain Drive Type 4 (Based on 43#/bu)	Row Space 7.5"	3.9	15.0	24.8	38.6	52.3	62.2	75.7	86.6	100.0	114.2	130.4	145.6	159.8	174.4	188.9	201.7	213.4	225.2	237.4	237.4	237.4
	8"	3.7	14.0	23.1	36.2	49.1	58.4	71.0	81.3	93.9	107.2	122.4	136.7	150.0	163.7	177.4	189.4	200.3	211.4	222.9	222.8	222.9
	10"	3.0	11.3	18.5	29.0	39.3	46.8	56.9	65.1	75.2	85.9	98.1	109.5	120.2	131.2	142.1	151.7	160.5	169.3	178.6	178.5	178.6
Rice-Lg Grain Drive Type 2 (Based on 47#/bu)	Row Space 7.5"	0.0	2.4	7.6	12.7	17.9	23.5	28.9	34.1	39.4	44.9	54.3	55.2	60.4	65.5	70.7	76.1	80.5	85.0	88.6	90.9	92.6
	8"	0.0	2.3	7.2	11.9	16.8	22.1	27.2	32.0	37.0	42.2	51.0	51.8	56.7	61.5	66.3	71.5	75.6	79.8	83.2	85.4	87.0
	10"	0.0	1.8	5.7	9.6	13.4	17.7	21.8	25.7	29.7	33.8	40.9	41.5	45.4	49.3	53.1	57.2	60.5	63.9	66.6	68.4	69.7
Rice-Lg Grain Drive Type 3 (Based on 47#/bu)	Row Space 7.5"	0.0	0.0	11.0	18.1	26.4	35.0	44.1	51.2	59.2	67.6	75.1	82.1	89.1	96.6	104.8	112.7	120.7	128.2	134.6	139.8	144.6
	8"	0.0	0.0	10.4	17.0	24.8	32.9	41.4	48.1	56.5	63.5	70.5	77.1	83.6	90.7	98.4	105.8	113.3	120.4	126.4	131.2	135.8
	10"	0.0	0.0	8.3	13.6	19.9	26.3	33.2	38.5	44.5	50.8	56.5	61.7	67.0	72.6	78.8	84.7	90.8	96.4	101.3	105.1	108.8
Rice-Lg Grain Drive Type 4 (Based on 47#/bu)	Row Space 7.5"	0.0	0.0	18.0	29.5	43.1	57.1	71.9	83.5	96.4	110.2	122.4	133.8	145.3	157.5	170.8	183.7	196.8	209.0	219.5	227.9	235.8
	8"	0.0	0.0	16.9	27.7	40.4	53.6	67.5	78.3	90.5	103.5	114.9	125.6	136.4	147.8	160.4	172.5	184.8	196.2	206.1	214.0	221.3
	10"	0.0	0.0	13.5	22.2	32.4	42.9	54.1	62.8	72.5	82.9	92.1	100.7	109.2	118.4	128.5	138.2	148.0	157.2	165.1	171.4	177.3
Rye Drive Type 1 (Based on 57#/bu)	Row Space 7.5"	0.0	2.3	6.6	10.6	15.4	20.0	23.5	29.0	34.1	39.3	44.3	48.5	52.6	57.2	61.7	67.3	72.4	78.2	84.5	85.0	85.4
	8"	0.0	2.2	6.2	9.9	14.5	18.8	22.0	27.2	32.0	36.9	41.6	45.5	49.4	53.7	57.9	63.2	67.9	73.4	79.3	79.8	80.1
	10"	0.0	1.8	4.9	8.0	11.6	15.1	17.6	21.8	25.6	29.6	33.3	36.5	39.6	43.0	46.4	50.6	54.4	58.8	63.5	64.0	64.2
Rye-Perennial Drive Type 3 (Based on 36#/bu)	Row Space 7.5"	0.0	2.3	6.6	10.6	15.4	20.0	23.5	29.0	34.1	39.3	44.3	48.5	52.6	57.2	61.7	67.3	72.4	78.2	84.5	85.0	85.4
	8"	0.0	2.2	6.2	9.9	14.5	18.8	22.0	27.2	32.0	36.9	41.6	45.5	49.4	53.7	57.9	63.2	67.9	73.4	79.3	79.8	80.1
	10"	0.0	1.8	4.9	8.0	11.6	15.1	17.6	21.8	25.6	29.6	33.3	36.5	39.6	43.0	46.4	50.6	54.4	58.8	63.5	64.0	64.2
Rye-Perennial Drive Type 4 (Based on 36#/bu)	Row Space 7.5"	0.0	7.9	18.5	26.0	35.1	45.3	53.3	63.8	72.8	82.7	92.3	101.6	110.2	120.5	129.5	139.1	146.8	154.3	164.5	164.5	168.3
	8"	0.0	7.4	17.4	24.4	32.9	42.5	50.0	59.9	68.4	77.6	86.6	95.3	103.5	113.1	121.6	130.5	137.8	144.9	173.2	154.5	158.0
	10"	0.0	5.9	13.9	19.5	26.4	34.0	40.1	48.0	54.8	62.2	69.4	76.4	82.9	90.6	97.4	104.6	110.4	116.1	138.8	123.8	126.6
Soybeans Drive Type 1 (Based on 58#/bu)	Row Space 7.5"	0.0	2.3	6.5	11.0	16.1	19.3	24.0	28.2	32.7	37.4	41.3	46.4	51.0	55.4	59.7	64.4	68.1	72.7	77.4	77.8	78.0
	8"	0.0	2.2	6.1	10.3	15.1	18.2	22.5	26.5	30.7	35.1	38.8	43.5	47.9	52.0	56.1	60.4	64.0	68.2	72.6	73.0	73.2
	10"	0.0	1.8	4.9	8.2	12.1	14.5	18.0	21.2	24.6	28.1	31.1	34.9	38.3	41.6	44.9	48.4	51.2	54.7	58.2	58.5	58.7
Soybeans Drive Type 2 (Based on 58#/bu)	Row Space 7.5"	0.0	4.8	13.4	22.5	33.2	39.8	49.3	57.9	67.3	76.8	85.0	95.3	104.8	113.8	122.8	132.3	140.0	149.4	159.0	159.8	160.3
	8"	0.0	4.5	12.5	21.2	31.1	37.3	46.2	54.4	63.2	72.1	79.8	89.5	98.4	106.8	115.3	124.2	131.5	140.2	149.3	150.0	150.5
	10"	0.0	3.6	10.0	16.9	24.9	29.9	37.0	43.6	50.6	57.7	63.9	71.7	78.8	85.6	92.4	99.5	105.3	112.3	119.6	120.2	120.6

Seed Rate Chart (Con't.) (Pounds per acre)

Setting number	0	5	10	15	20	25	30	35	40	45	50	55	60	65	70	75	80	85	90	95	100	
Soybeans Drive Type 3 (Based on 58#/bu)	Row Space 7.5"	0.0	9.7	18.8	33.8	49.7	59.2	74.4	84.5	97.3	109.9	123.9	137.1	151.1	164.2	178.7	190.3	207.6	221.9	237.1	237.3	237.6
	Row Space 8"	0.0	9.1	17.7	31.7	46.7	55.5	69.8	79.3	91.3	103.1	116.3	128.7	141.9	154.1	167.7	178.6	194.9	208.3	222.6	222.8	223.0
	Row Space 10"	0.0	7.3	14.2	25.4	37.4	44.5	55.9	63.6	73.2	82.6	93.2	103.1	113.7	123.5	134.4	143.1	156.2	166.9	178.3	178.5	178.7
Soybeans Drive Type 4 (Based on 58#/bu)	Row Space 7.5"	0.0	15.7	30.7	55.1	81.1	96.4	121.2	137.8	158.6	179.1	201.9	223.6	246.4	267.7	291.3	310.2	338.5	361.8	386.6	387.0	387.3
	Row Space 8"	0.0	14.8	28.8	51.7	76.1	90.5	113.8	129.3	148.9	168.1	189.6	209.9	231.3	251.3	273.5	291.2	317.8	339.6	362.9	363.3	363.6
	Row Space 10"	0.0	11.8	23.1	41.4	61.0	72.5	91.2	103.6	119.3	134.7	151.9	168.2	185.3	201.3	219.1	233.3	254.6	272.1	290.7	291.0	291.3
Sunflowers Drive Type 1 (Based on 28#/bu)	Row Space 7.5"	0.0	0.0	1.7	3.5	5.1	7.0	8.9	10.8	12.8	14.9	16.9	18.8	20.8	22.9	24.8	26.7	28.5	30.1	32.1	33.0	34.0
	Row Space 8"	0.0	0.0	1.6	3.3	4.8	6.5	8.4	10.1	12.1	14.0	15.9	17.6	19.6	21.5	23.3	25.0	26.8	28.3	30.1	30.9	31.9
	Row Space 10"	0.0	0.0	1.3	2.7	3.9	5.2	6.7	8.1	9.7	11.2	12.7	14.1	15.7	17.2	18.7	20.1	21.4	22.7	24.1	24.8	25.6
Hard Red Winter Wheat Drive Type 1 (Based on 64#/bu)	Row Space 7.5"	0.0	5.1	8.9	12.4	16.1	20.2	23.3	28.4	32.7	37.2	42.6	46.8	51.8	57.1	61.9	66.8	72.0	77.3	82.6	83.7	83.8
	Row Space 8"	0.0	4.8	8.4	11.6	15.1	19.0	21.9	26.7	30.7	34.9	40.0	44.0	48.7	53.6	58.1	62.7	67.6	72.6	77.6	78.6	78.7
	Row Space 10"	0.0	3.8	6.7	9.3	12.1	15.2	17.5	21.4	24.6	28.0	32.0	35.2	39.0	42.9	46.6	50.2	54.2	58.1	62.1	63.0	63.0
Hard Red Winter Wheat Drive Type 2 (Based on 64#/bu)	Row Space 7.5"	0.0	10.5	18.3	25.4	33.0	41.5	48.0	58.4	67.3	76.5	87.6	96.3	106.6	117.3	127.3	137.3	148.1	158.9	169.8	172.1	172.2
	Row Space 8"	0.0	9.8	17.2	23.9	31.0	39.0	45.0	54.8	63.2	71.8	82.2	90.4	100.0	110.2	119.5	128.9	139.0	149.1	159.4	161.5	161.7
	Row Space 10"	0.0	7.9	13.8	19.1	24.8	31.2	36.1	43.9	50.6	57.5	65.9	72.4	80.1	88.2	95.8	103.3	111.4	119.5	127.7	129.4	129.5
Wheat Grass Drive Type 1 (Based on 23#/bu)	Row Space 7.5"	0.0	0.8	1.8	2.5	3.5	4.3	5.0	6.2	7.0	8.1	9.0	9.9	11.0	11.9	12.9	14.0	15.0	16.1	15.5	17.4	17.6
	Row Space 8"	0.0	0.7	1.7	2.4	3.3	4.0	4.7	5.8	6.6	7.6	8.5	9.3	10.3	11.2	12.1	13.2	14.0	15.1	14.5	16.3	16.6
	Row Space 10"	0.0	0.6	1.3	1.9	2.7	3.2	3.8	4.7	5.3	6.1	6.8	7.5	8.2	9.0	9.7	10.5	11.2	12.1	11.6	13.1	13.3
Soft Wheat-Cardinal-Ba Drive Type 2 (Based on 58#/bu)	Row Space 7.5"	0.0	6.6	12.8	19.2	27.0	34.7	42.8	52.0	61.2	70.8	80.5	90.0	99.0	108.3	118.3	127.6	137.5	147.0	155.2	155.3	155.5
	Row Space 8"	0.0	6.3	12.1	18.2	25.6	32.9	40.5	49.3	58.0	67.1	76.3	85.3	93.8	102.6	112.1	120.9	130.3	139.3	147.1	147.2	147.3
	Row Space 10"	0.0	4.9	9.4	14.2	19.9	25.6	31.5	38.3	45.1	52.2	59.3	66.4	73.0	79.8	87.2	94.0	101.3	108.3	114.4	114.5	114.6
Soft Wheat-Cardinal-Ba Drive Type 3 (Based on 58#/bu)	Row Space 7.5"	1.2	9.7	18.7	27.9	37.4	48.5	61.7	74.0	87.9	101.9	116.5	131.9	146.3	161.0	175.6	189.8	205.6	221.0	232.3	239.7	224.2
	Row Space 8"	1.1	9.2	17.8	26.4	35.5	45.9	58.5	70.1	83.3	96.5	110.3	124.9	138.6	152.5	166.4	179.8	194.8	209.4	220.0	227.1	231.3
	Row Space 10"	0.9	7.1	13.8	20.6	27.6	35.7	45.5	54.5	64.8	75.1	85.8	97.2	107.8	118.6	129.4	139.9	151.5	162.8	171.1	176.6	179.9

Small Seeds Attachment Seed Rate Chart (Pounds per acre)

Setting number		10	20	30	40	50	60	70	80	90	100	
Alfalfa; Red, Alsike & Ladino Clo- vers	Row Space	7.5"	3	6	10	15.5	19	23	29	33.5	39	43
		8"	2.5	5.5	9	14	17.5	21	26	31	36	39.5
		10"	2.25	5	7.5	12	14.5	17	21.5	25	29	32
Lespedeza Hulled, Serecia, Crim- son, Clover; Birdsfoot Tre- foil	Row Space	7.5"	2.5	5.5	8.5	16.5	20.5	25.5	32	36.5	45.5	50.5
		8"	2.25	5	8	15	19	23	29.5	33.5	41.5	46.5
		10"	2	4	6.5	12.5	15.5	19	24	27.5	34	38
Lespedeza Unhulled	Row Space	7.5"	1.75	3.5	5.5	9.5	12	14.5	16.5	19	21.5	24
		8"	1.5	3	5	8.5	11	13	15	17.5	19.5	22
		10"	1.25	2.5	4	7	9	10.5	12.5	14.5	16	18
Timothy; Red Top, Sand & Love Grass	Row Space	7.5"	1.75	3.5	5	7.5	9.5	11.5	14	16	18.5	20.5
		8"	1.5	3	4.5	6.5	8.5	10.5	12.5	14.5	17	19
		10"	1.25	2.5	3.5	5.5	7	8.5	10.5	12	14	15.5
Kentucky Bluegrass; Fescue	Row Space	7.5"	--	1.5	2.25	3.5	4.25	5	6	7	8	8.5
		8"	--	1.25	2	3	4	4.5	5.5	6.5	7	8
		10"	--	1	1.5	2.5	3	3.5	4.5	5	6	6.5
Reed Canary	Row Space	7.5"	1	2.25	3.5	5	6.5	8	9.5	10.5	12	13
		8"	--	2	3	4.5	5.5	7	8.5	10	11	12
		10"	--	1.75	2.5	3.5	4.5	6	7	8	9	10
German Millet	Row Space	7.5"	2.25	4.5	8.5	13	16.5	19.5	24	28.5	33	37
		8"	2	4	7.5	12	15	18	22	26	30.5	34
		10"	1.75	3.5	6	10	12	14.5	18	21	25	28
Sudan Grass	Row Space	7.5"	2.25	4.5	8.5	13	16.5	18	25	29.5	34.5	38.5
		8"	2	4	7.5	12	15	19	23	27	32	35.5
		10"	1.75	3.5	6	10	12	15.5	19	22	26	29