

Installation Instructions



3S-4000 Three-Section Folding Drill Hydraulic Fold Cylinder Hold Kit

Used with:

- 3S-4000



When you see this symbol, the subsequent instructions and warnings are serious - follow without exception. Your life and the lives of others depend on it!

General Information

These instructions explain how to install the Hydraulic Fold Cylinder Hold Kit. This kit is used to prevent folding cylinders from compressing when implement is being used on an extreme incline. Compressed folding cylinders will cause the frame to fold inward and may cause personal injury or machine damage. These instructions apply to:

194-543A Hydraulic Fold Cylinder Hold Kit

Before You Start

Page 4 is a detailed listing of parts included in the Hydraulic Fold Cylinder Hold Kit. Use this list to inventory parts received.

Tools Required

- Basic Hand Tools

Assembly Instructions

NOTE: Instructions 1 through 4 provide pre-assembly details for PO check valve.

Refer to Figure 1

1. Install 9/16" FJIC adapter (1) into port 1 of PO check valve (5). **NOTE: Port numbers will be stamped on valve body for easy reference.**
2. Insert 9/16" MJIC adapter (4) into port 2 of PO check valve (5).
3. Attach 9/16" FJIC elbow fitting (2) to 9/16" FJIC adapter (1) located in port 1.
4. Install 9/16" MJIC elbow fitting (3) into port 3 of PO check valve (5).

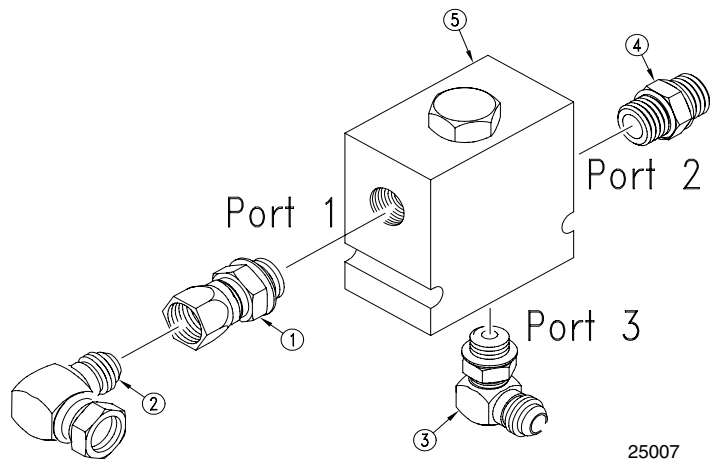


Figure 1
PO Check Valve

25007

2 Hydraulic Fold Cylinder Hold Kit

Refer to Figure 2

5. Locate hydraulic fold cylinder (3) with tee fitting (2) on the rod end of the cylinder (3).
6. Disconnect hydraulic hose (1) from tee fitting (2) on rod end of cylinder (3).

25008

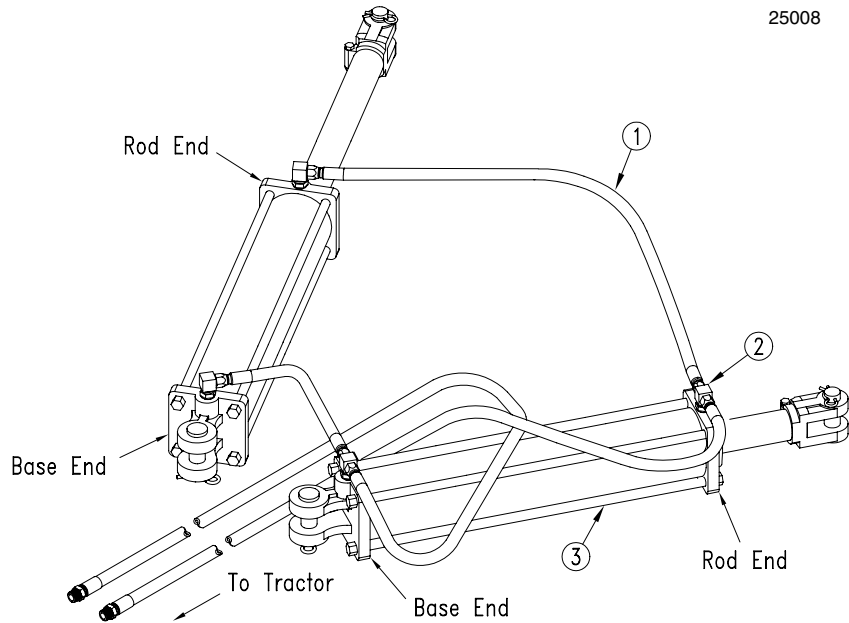


Figure 2

Fold Cylinder Original Plumbing

Refer to Figure 3

7. Attach tee fitting (3) supplied in kit to original tee fitting (2) on fold cylinder.
8. Once additional tee fitting (3) is attached, reconnect hydraulic hose (1) to new tee fitting (3).
9. Locate hydraulic fold cylinder with tee fitting (4) on the base end of the cylinder.
10. Disconnect hydraulic hose (5) from tee fitting (4) on base end of cylinder.

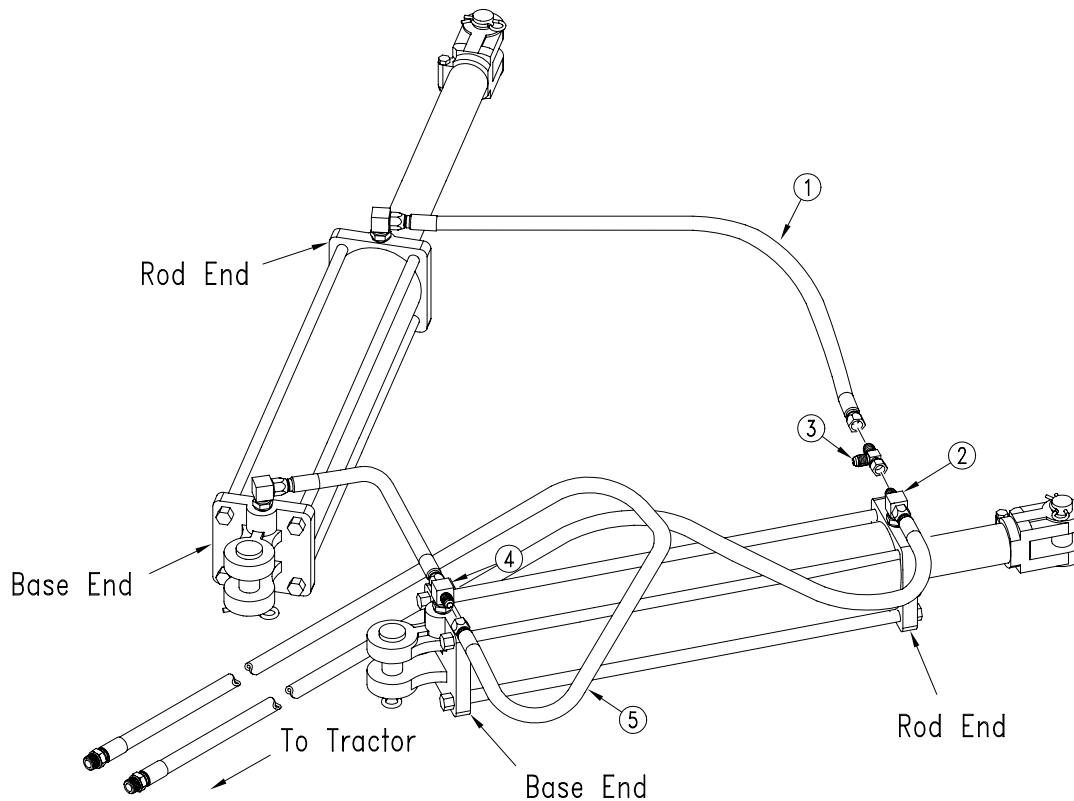


Figure 3

Install Tee Fitting

25009

Refer to Figure 4

11. Attach elbow fitting (3) located in port 1 of PO check valve to tee fitting (1) on base end of hydraulic cylinder.
12. Connect hydraulic hose (2) from step 10 to adapter (4) located in port 2 of PO check valve.

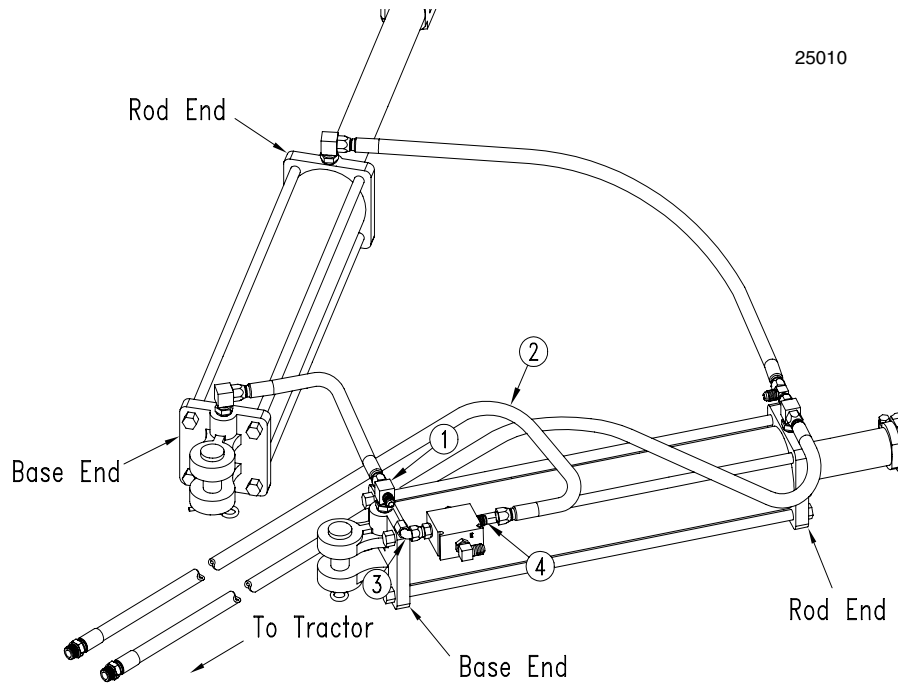


Figure 4
Reroute Hose

Refer to Figure 5

13. Locate hydraulic hose (2) supplied in kit. Attach one end of hose (2) to newly installed tee fitting (1).
14. Attach other end of hose (2) to elbow fitting (3) located in port 3 of PO check valve.
15. Tighten all fittings.

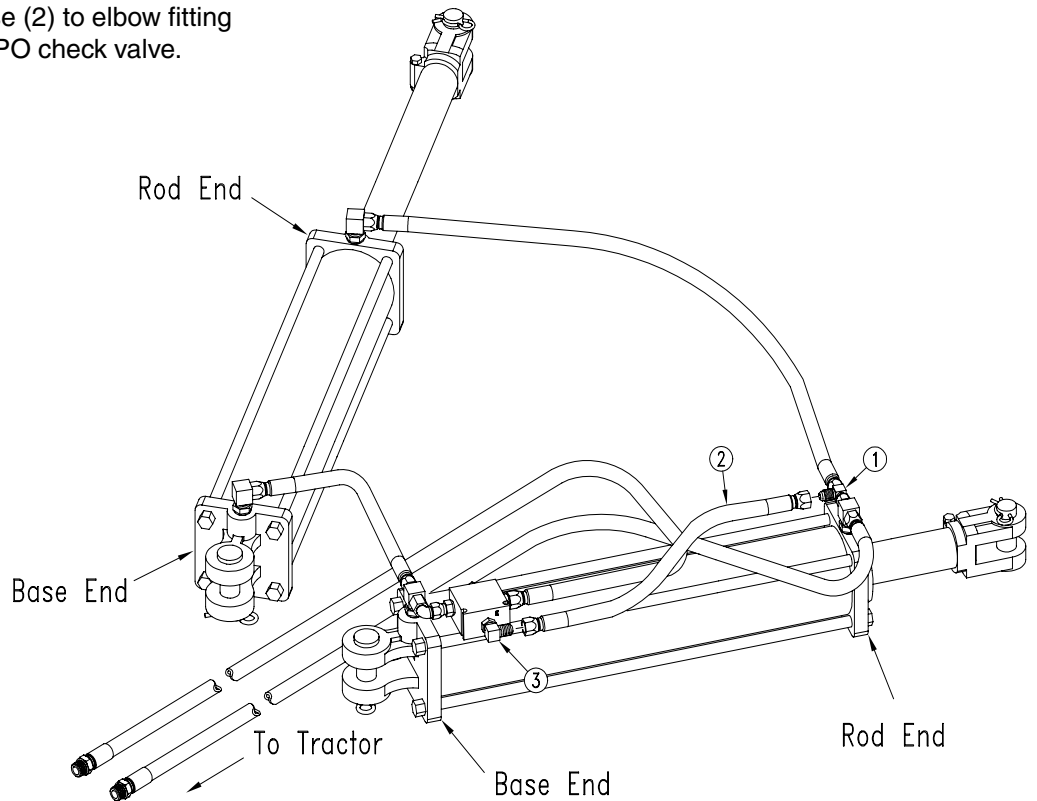


Figure 5
Attach New Hose

25011

4 Hydraulic Fold Cylinder Hold Kit

194-543A Hydraulic Fold Cylinder Hold Kit

Your kit includes:

Qty.	Part No.	Part Description
1	194-544M	MANUAL 4000 HYD HOLD CYL KIT
1	810-343C	VALVE PO CHECK 2:1 W/9/16FO
1	811-061C	TE 9/16MJIC 9/16MJIC 9/16FJ
1	811-065C	EL 9/16MJIC 9/16MORB
1	811-169C	EL 9/16MJIC 9/16FJIC
1	811-170C	AD 9/16MORB 9/16MJIC
1	811-362C	HH1/4R1 025 9/16FJIC
1	811-627C	AD 9/16MORB 9/16FJIC

Great Plains Manufacturing, Inc.

Corporate Office: P.O. Box 5060
Salina, Kansas 67402-5060 USA
