

Installation Instructions



706NT End Wheel No-Till Drill Hydraulic Valve Kit

Used with:

- 706NT End Wheel No-Till Drill



When you see this symbol, the subsequent instructions and warnings are serious - follow without exception. Your life and the lives of others depend on it!

General Information

These instructions explain how to install the Hydraulic Valve Kit. The Hydraulic Valve Kit is designed to properly install and prevent damage to the hydraulic depth stop and hydraulic hoses. These instructions apply to:

151-119A 706NT Hydraulic Valve Kit

Before You Start

Page 10 is a detailed listing of parts included in the Hydraulic Valve Kit. Use this list to inventory parts received.

Tools Required

- Basic Hand Tools

Assembly Instructions

Important! Before performing update, lower drill to ground and relieve pressure from hydraulics.

Refer to Figure 1

1. Locate depth stop valve mount and stroke control valve on front left-hand side of drill directly behind the gearbox.

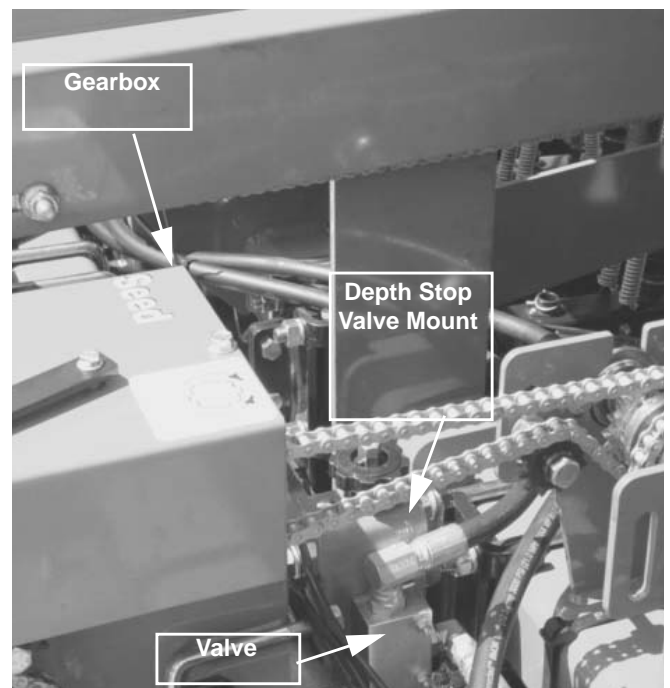


Figure 1

23153

2 | Hydraulic Valve Kit

Refer to Figure 2

2. Disconnect hose (4) connecting valve (2) to tractor at valve (2). Disconnect hose (3) connecting valve (2) to master cylinder at valve (2). Keep elbow for reuse.
3. Remove two 1/4-20 x 3" bolts holding together depth adjustment bracket (5), depth stop valve mount(1), and stroke control valve(2). Bolts and bracket are located under depth stop valve mount(1). Keep valve, bolts, and spacer tubes for reuse.

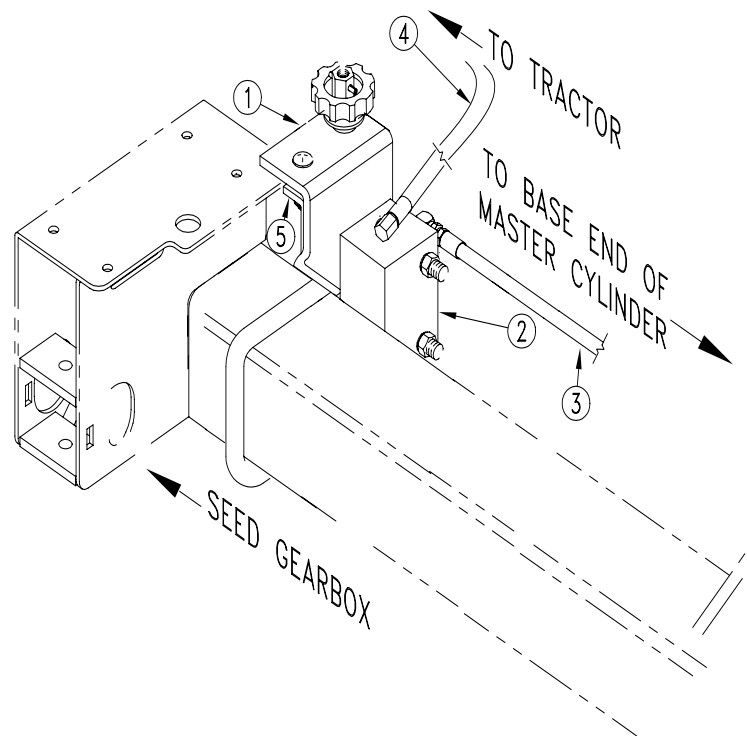


Figure 2

23145

Refer to Figure 3

Important! To disconnect hose from valve to master cylinder at master cylinder, it may be necessary to remove tire.

4. Remove pin to cylinder letting cylinder fall so it is visible. If needed, remove tire. Disconnect hose from valve to master cylinder at master cylinder. Discard hose.

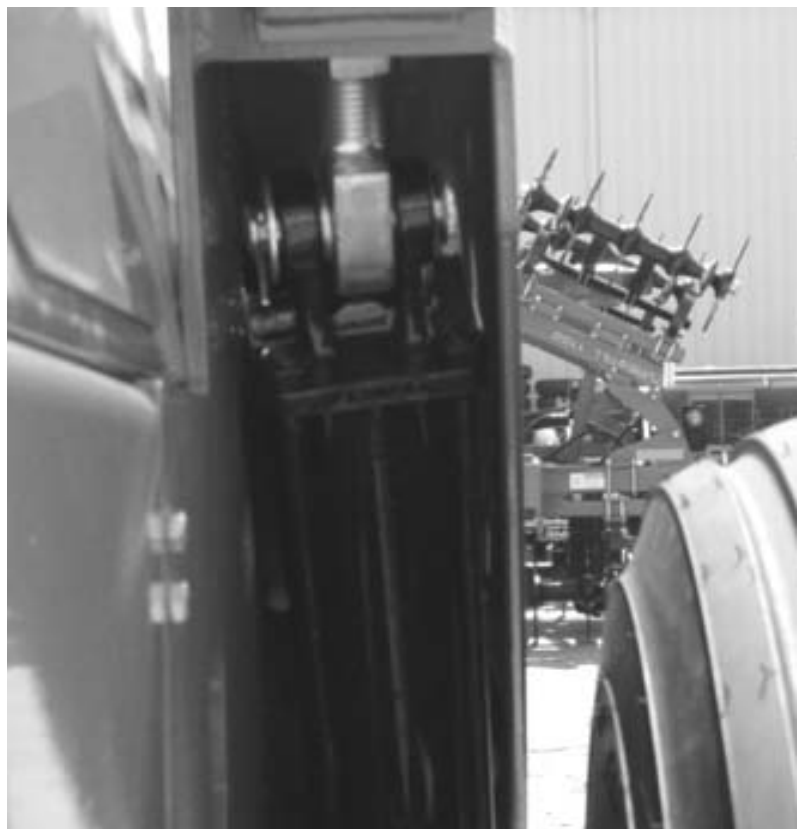
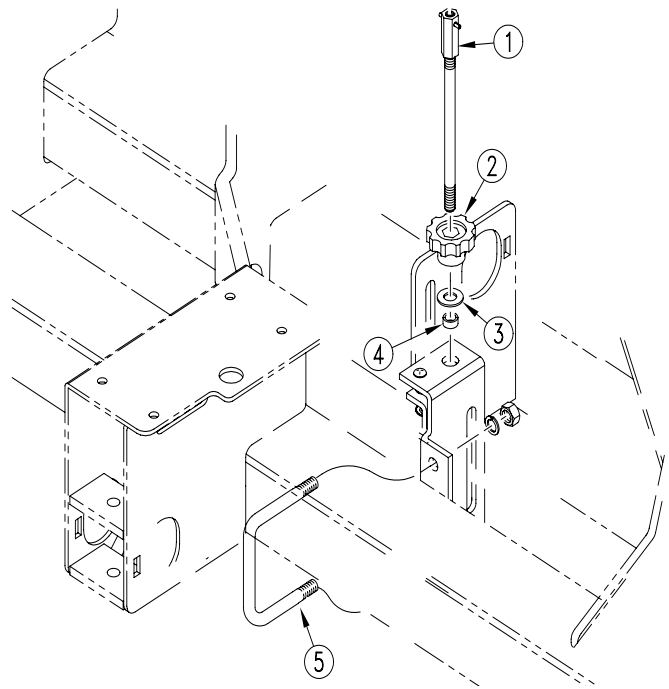


Figure 3

23150

Refer to Figure 4

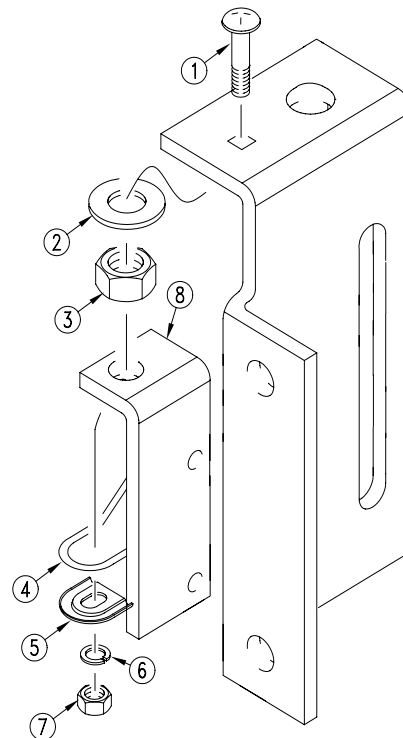
5. Unscrew screw adjustment rod (1) from knob (2) and remove knob (2), washer (3), and spacer tube (4) from top of depth stop valve mount. Keep all pieces for reuse.
6. Remove U-bolt (5) holding depth stop valve mount in place. Keep for reuse.

**Figure 4**

23146

Refer to Figure 5

7. Unscrew 1/4-20 x 3/4" bolt (1) from top of mount removing washer (2), nut hex (3), depth adjustment bracket (8), tension spring retainer (4), screw spring adjustment (5), washer (6), and nut hex (7). Discard depth stop valve mount and depth adjustment bracket. Keep all other pieces for reuse.

**Figure 5**

23147

4 | Hydraulic Valve Kit

Refer to Figure 6

8. Replace bolt (9), new depth adjustment bracket (3), washer (8), nut hex (7), tension spring retainer (4), screw spring adjustment (1), washer (5), and nut hex (6) on new depth stop valve mount (2) provided in kit.

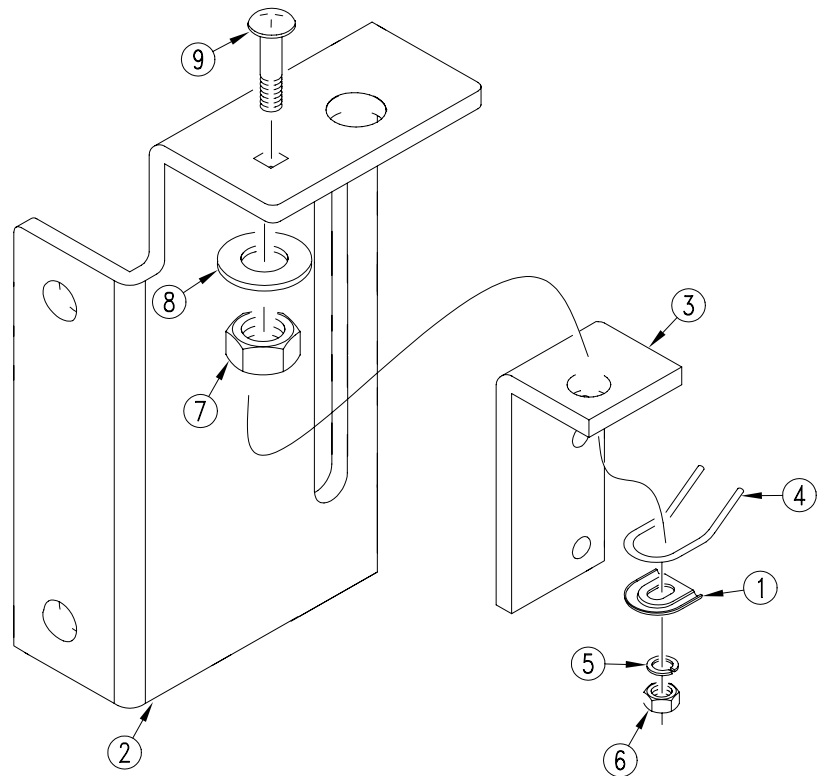


Figure 6

23155

Refer to Figure 7

9. Align knob (4), washer (2), and spacer tube (3). Screw into top of mount (5) using screw adjustment rod (1). Secure with flat washer and nut hex.
10. Bolt new depth stop adjustment bracket (8) to depth stop valve mount (5) and valve (7) using bolts (6) removed in step 1.

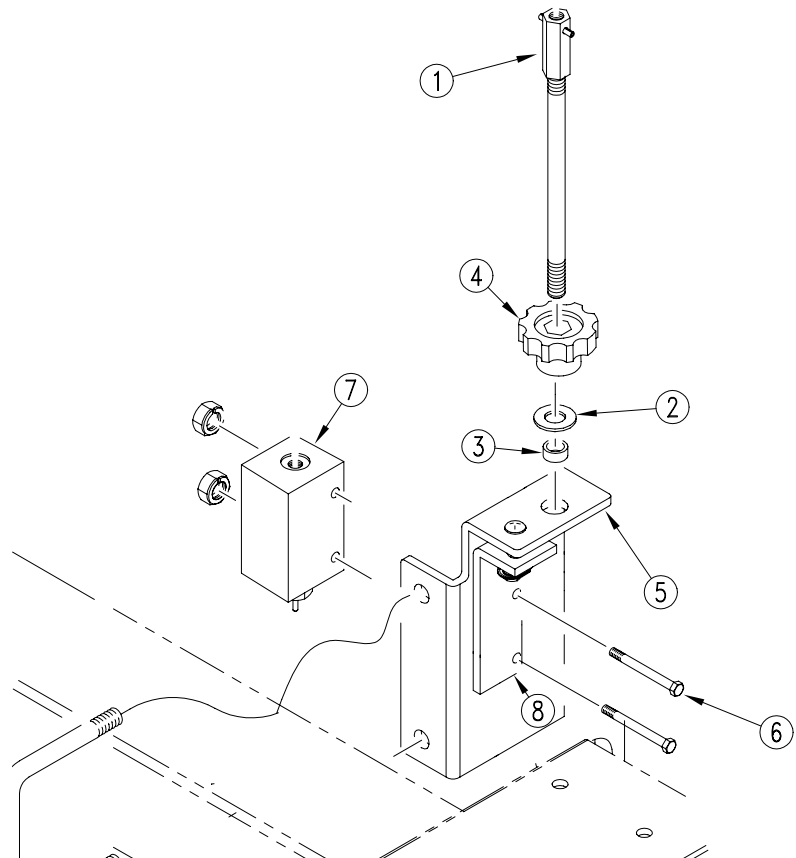
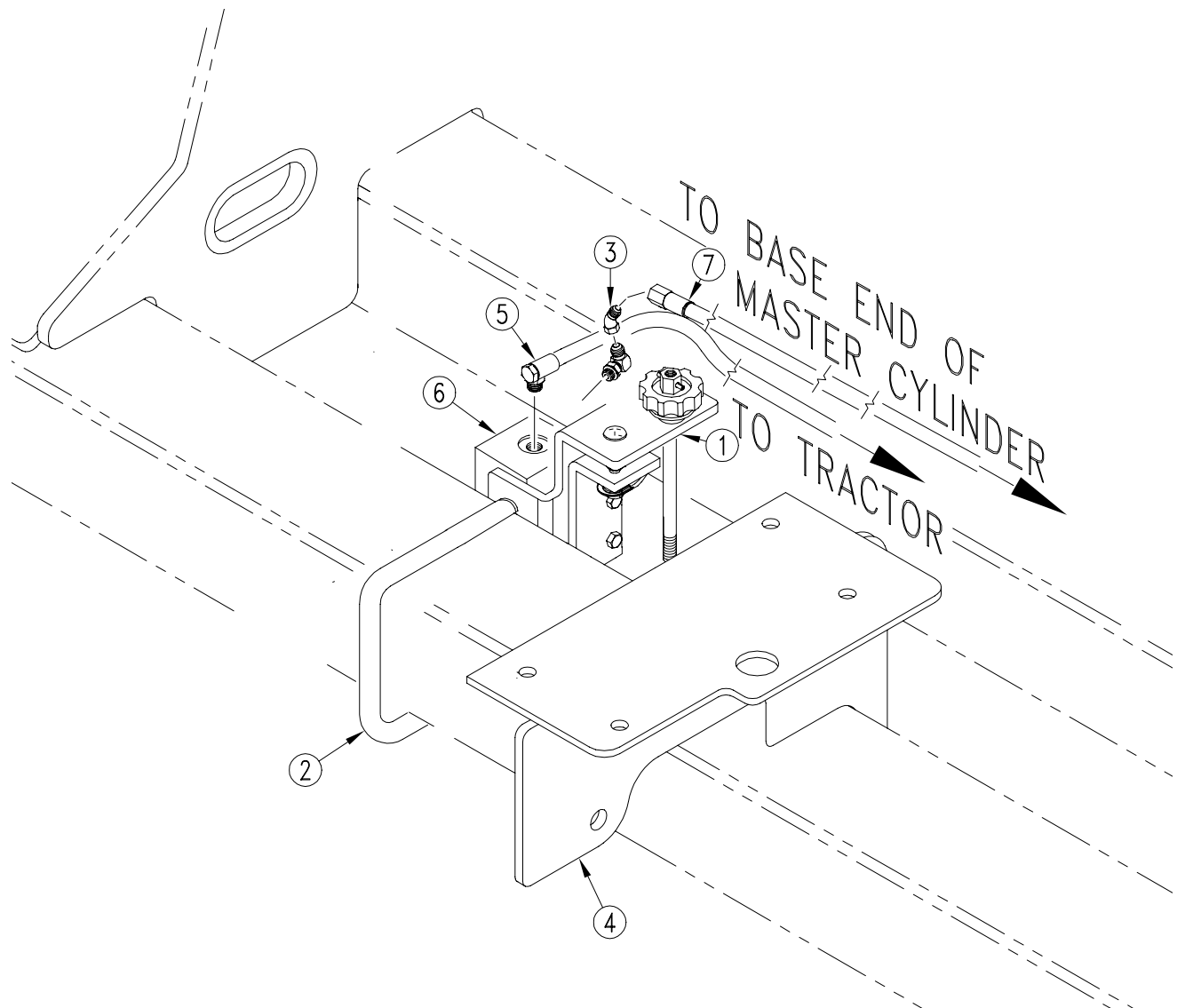


Figure 7

23149

Refer to Figure 8

11. Attach valve mount (1) on tubing on right-hand side of drill next to native grass gearbox mount (4) using the U-bolt (2) from step 5.
12. Connect hose (5) leading to tractor to valve (6).
13. Add elbow fitting (3) to new hose (7) provided in kit. Connect to valve (6) and master cylinder. Where necessary, tie down with cable ties.

**Figure 8**

23148

6 | Hydraulic Valve Kit

Refer to Figure 9

14. Cut flex hose in approximately half. To prevent damage to hydraulic hoses attach one half of hose to slots on both sides of drill frame.

NOTE: If additional clearance is needed, the slot may be enlarged to 1 3/4" x 4".



Figure 9

23158

Refer to Figure 10

15. Replace cylinder and pin securing cylinder in place. If removed, put tire on.

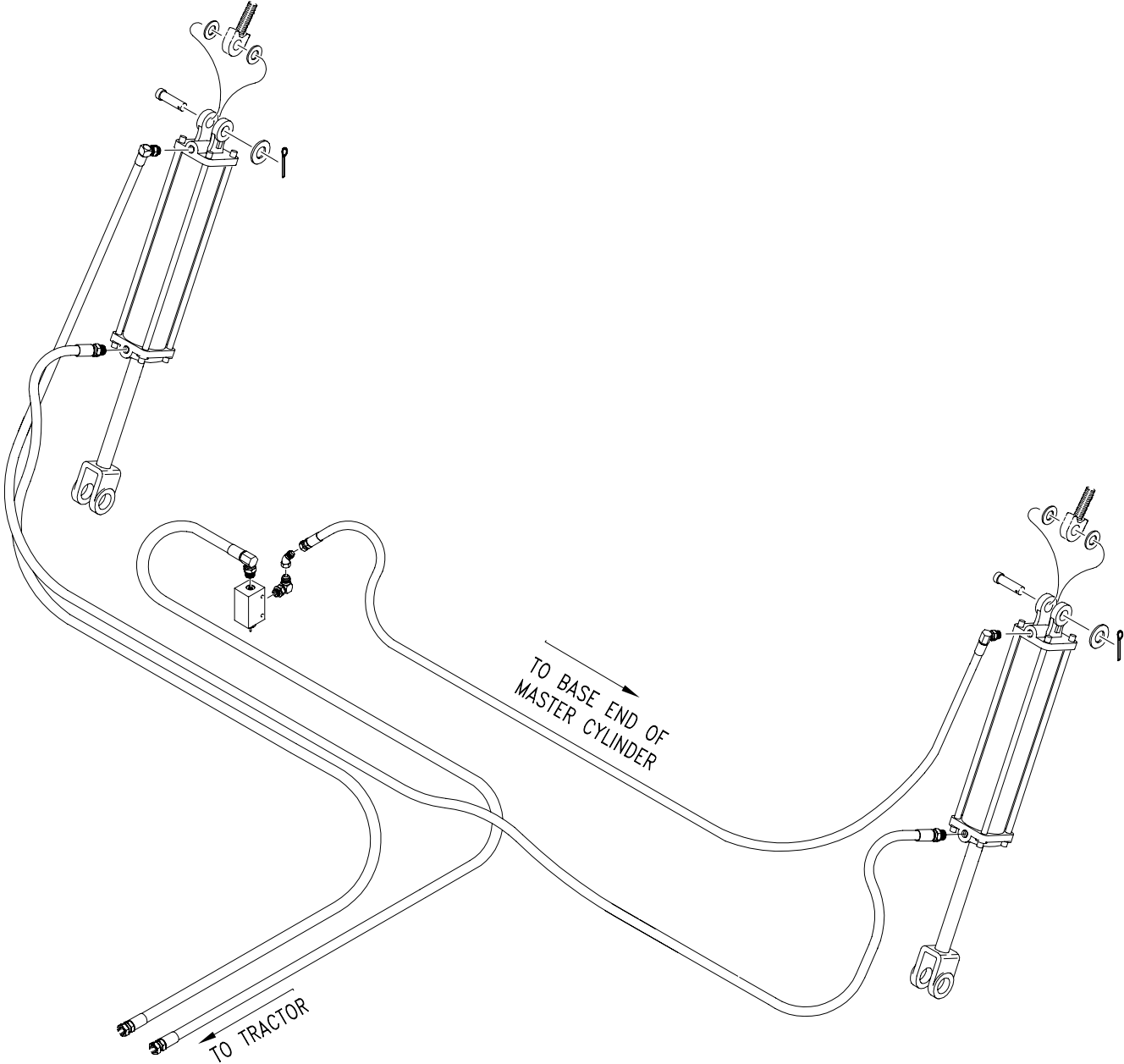


Figure 10

23150

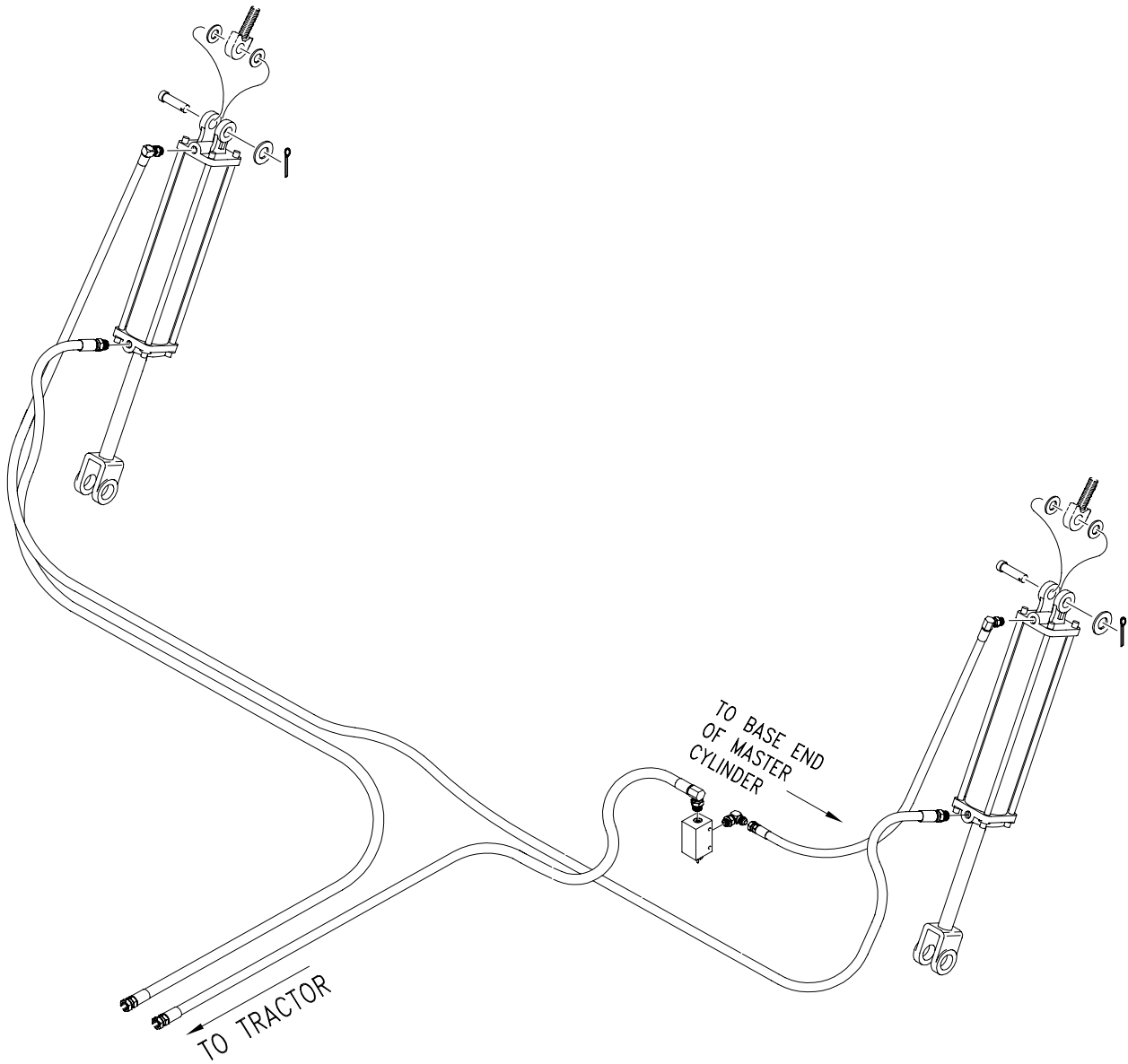
16. Place depth stop adjustment decal on right-hand side of drill on native grass gearbox.

Hydraulic Schematics



Hydraulic Routing
706NT 7 1/2" & 8" S/N 1040WW-

23156



Hydraulic Routing
1006NT & 706NT 7"

23157

151-119A Hydraulic Valve Kit

Your kit includes:

Qty.	Part No.	Part Description
1	152-378D	DEPTH STOP VALVE MOUNT
1	152-179H	DEPTH ADJUSTMENT BRACKET WLMT
1.5'	817-044C	FLEX GUARD HOSE .594 IDX.41
1	841-023C	HH1/2R2 112 3/4FJIC 3/4MORB
1	811-040C	EL 45 3/4MJIC 3/4FJIC
4	800-082C	CABLE TIE .31X21.5 6DIA 120LB
1	151-120M	HYDRAULIC VALVE KIT MANUAL
1	818-695C	DECAL