

Installation Instructions



No-Till Air Drill Agtron Blockage Monitor Option

Used with:

- NTA1000
- NTA1300
- NTA2000
- NTA2000D



When you see this symbol, the subsequent instructions and warnings are serious - follow without exception. Your life and the lives of others depend on it!

General Information

These instructions explain how to install the Agtron Blockage Monitor (*a sensor installed in the seed delivery hoses to indicate hose blockage.*)

These instructions apply to:

- | | |
|----------|-------------------------------|
| 148-625A | NTA2000-3275 Agtron Block Kit |
| 148-647A | NTA2000-4006 Agtron Block Kit |
| 148-648A | NTA1000-1865 Agtron Block Kit |
| 148-649A | NTA1300-2465 Agtron Block Kit |

Manual Update

Refer to the Agtron Instruction manual for detailed information on safely operating, adjusting, troubleshooting and maintaining the Agtron Blockage Monitor. Refer to the drill parts manual for part identification.

- | | |
|----------|-----------------------------|
| 148-528P | NTA1300 & 1000 Parts Manual |
| 148-561P | NTA2000 Parts Manual |
| 148-632P | NTA2000D Parts Manual |

Before You Start

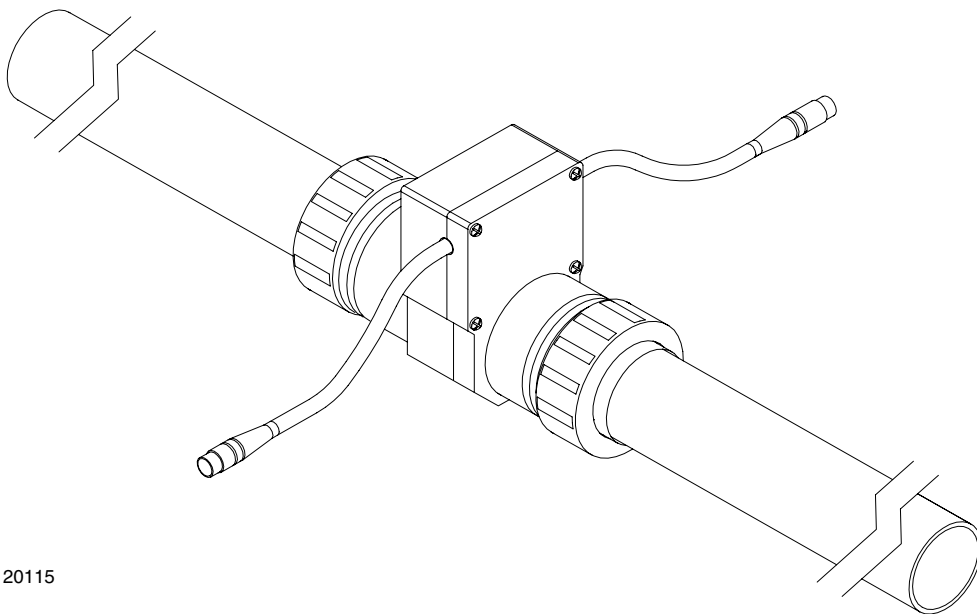
Page 4 is a detailed listing of parts included in the Agtron Blockage Monitor package. Use this list to inventory parts received.

Tools Required

- Basic Hand Tools
- Knife

Definitions

Right-hand and left-hand as used in this manual are determined by facing the direction the machine will travel while in use unless otherwise stated.



20115

Assembly Instructions

Refer to Figure 1

1. Starting on the left-hand side of the drill select the hose closest to the outside. Measure 26" from the meter box and cut the hose (1). Slide one clamp nut (2) over one end of the cut hose (1). (Make sure and have the wide opening of the clamp nut towards the cut end of the hose).
2. Slide one adapter sleeve (3) over the end of the cut hose (1), with the nut, until the end is flush with the cut end of the hose

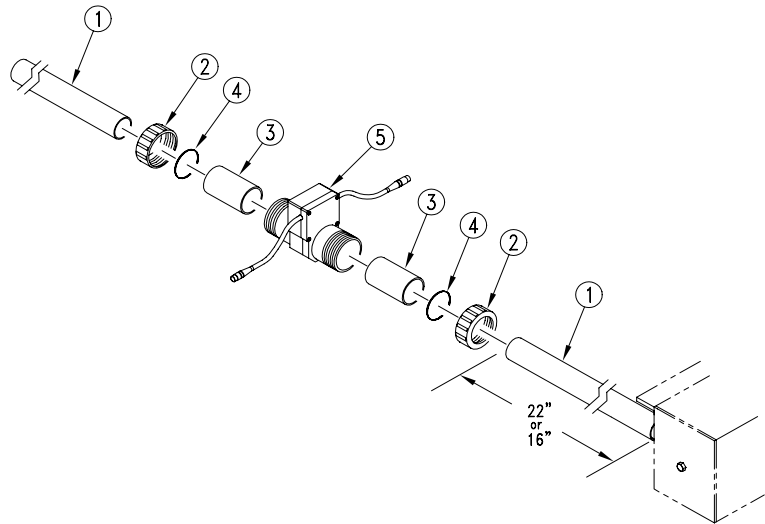


Figure 1
Sensor Installation

20114

Refer to Figure 2

3. Install one o-ring (4) over the sleeve (3). Position the o-ring so it is 1 1/2" from the cut end of the hose.
4. Repeat above steps on the other end of the cut hose.
5. Insert the cut ends of the hoses with the sleeves installed into the sensor (5). Position the sensor with the wires on top and the heads of the screws facing the meter box.

Note: It is important that all the sensors face the same direction for proper wire connection.

6. Thread both clamp nuts (2) onto the sensor (5) and secure sensor in place by hand tightening the clamp nuts.
7. Repeat all of the above steps to install the next sensor using 16" as the measurement from the meter box to the point where the hose will be cut. After this sensor is installed continue on with the rest of the hoses, alternating the measurement for cutting the hose from 22" to 16".

Note: It is necessary to stagger the cuts to allow for clearance of the sensors.

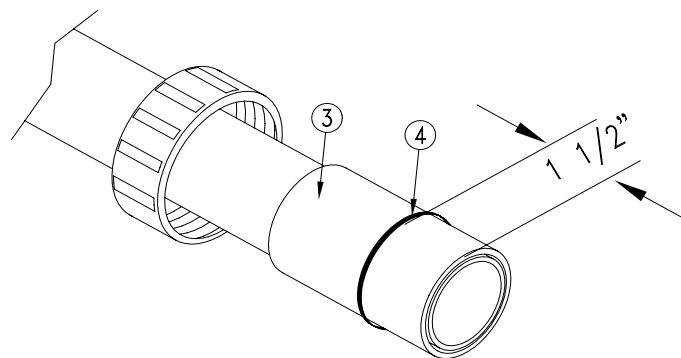


Figure 2
O-ring Placement

20116

Refer to Figure 3

8. Connect each sensor to the next one by inserting the male end of the wire connection into the female end of the connection. Leaving the outside wire on the two outside sensors free.
9. Connect the two free wire connections to the "Y" cable (6).
10. Connect the 20' cable (7) to the "Y" cable (6) and route the free end of the 20' cable (7) to the front of the drill.
11. Refer to the Agtron instruction manual for information on properly installing the monitor and the Hitch Ground Kit to the tractor.

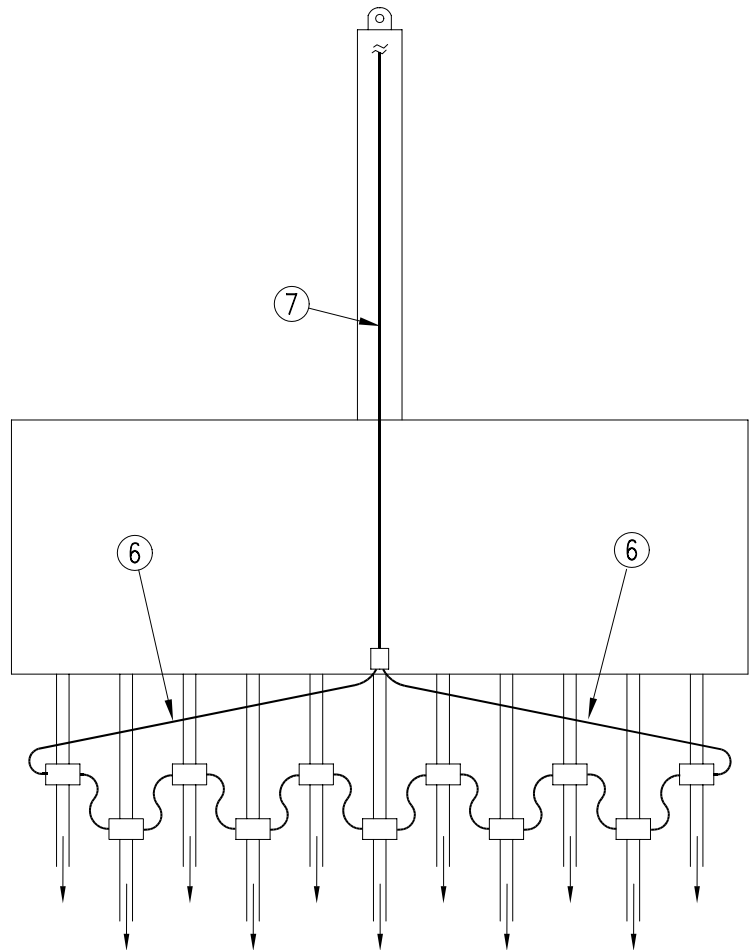


Figure 3
Sensor Connected

20117

4 | Agtron Blockage Monitor Option

148-625A NTA2000-3275 Agtron Block Kit

Your kit includes:

Qty.	Part No.	Part Description
1	823-323C	AGTRON ART 100 MONITOR KIT
32	AGSS3204	AGTRON BLOCKAGE SENSOR
1	148-650M	MANUAL-NTA AGTRON BLOCK KIT
64	816-284C	RUBBER GUARD FRT. CTR. OUTER

148-647A NTA2000-4006 Agtron Block Kit

Your kit includes:

Qty.	Part No.	Part Description
1	823-323C	AGTRON ART 100 MONITOR KIT
40	AGSS3204	AGTRON BLOCKAGE SENSOR
1	148-650M	MANUAL-NTA AGTRON BLOCK KIT
80	816-284C	RUBBER GUARD FRT. CTR. OUTER

148-648A NTA1000-1865 Agtron Block Kit

Your kit includes:

Qty.	Part No.	Part Description
1	823-323C	AGTRON ART 100 MONITOR KIT
18	AGSS3204	AGTRON BLOCKAGE SENSOR
1	148-650M	MANUAL-NTA AGTRON BLOCK KIT
36	816-284C	RUBBER GUARD FRT. CTR. OUTER

148-649A NTA1300-2465 Agtron Block Kit

Your kit includes:

Qty.	Part No.	Part Description
1	823-323C	AGTRON ART 100 MONITOR KIT
24	AGSS3204	AGTRON BLOCKAGE SENSOR
1	148-650M	MANUAL-NTA AGTRON BLOCK KIT
48	816-284C	RUBBER GUARD FRT. CTR. OUTER

Great Plains Manufacturing, Inc.

Corporate Office: P.O. Box 5060
Salina, Kansas 67402-5060 USA