

Installation Instructions



3-Point Precision Seeding System Baffle Package Option

Used with:

- 2520P Twin Row Spacing



When you see this symbol, the subsequent instructions and warnings are serious - follow without exception. Your life and the lives of others depend on it!

General Information

These instructions explain how to install the Baffle Package Option. The baffle package kit converts a 9 1/2" 2520P or an 8"/10"/10"/10" 2520P drill into a 38" twin row unit.

These instructions apply to:

118-868A 2520P Baffle Package

Manual Update

Refer to the 3-Point Precision Seeding System operator's manual for detailed information on safely operating, adjusting, troubleshooting and maintaining the 2520P drill. Refer to the parts manual for part identification.

118-863M Operator's Manual

118-863P Parts Manual

Before You Start

Page 3 is a detailed listing of parts included in the Baffle Package Option. Use this list to inventory parts received.

Tools Required

- Basic hand tools

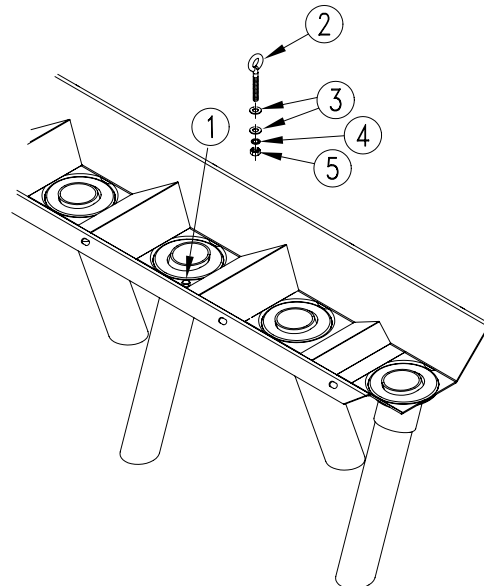
Definitions

Right hand and left hand as used in this manual are determined by facing the direction the drill will travel while in use.

Assembly Instructions

Refer to Figure 1

1. Using predrilled holes, remove bolt (1) from the seed tray and replace with eye hook (2), flat washers (3), lock washer (4) and hex nut (5) supplied in kit. Assemble the eyebolts in the same manner for both boxes. There are four eyebolts per seed tray, one at each end and two in the center.



**Figure 1
Seed Tray**

20330

2 | Baffle Package Option

Refer to Figure 2

- Line meter covers with foam seal all the way around the edges.

Refer to Figure 3

- Place Seedtube corks (1) in tubes at each end of the box (2).



Figure 2
Foam Seal

Refer to Figure 4

- Place meter cover over tube outlets not being used.
- For the center baffle use a tarp strap to hold in place by fastening one end to the eyebolt pulling the strap over the baffle and hooking in the other eye bolt.
- For the two outside baffles use tarp strap to hold in place by fastening one end to the eyebolt pulling the strap over the baffle and hooking it to the box divider.

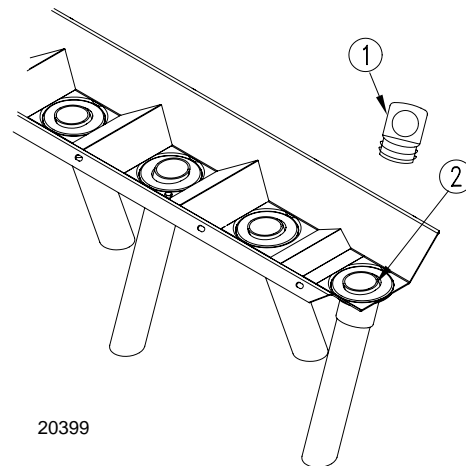
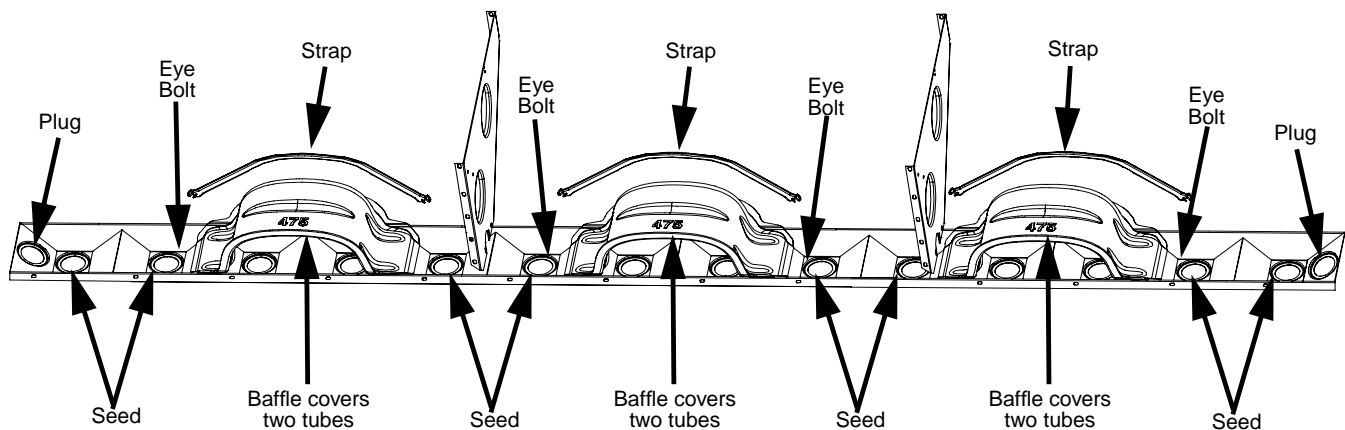


Figure 3
Foam Seal

NOTE: Shut meters off that are not being used.



2520P Rear of Drill

Figure 4
Eye Bolt and Baffle Placement

Note: This drawing refers to the installation of baffles and seedtube corks for the left hand side of the drill. Installation for the right hand side will be the same.

118-869A 2520P Baffle Package Option

Your kit includes:

Qty.	Part No.	Part Description
1	118-870M	MANUAL 2520P TR BAFFLE PACKACE
8	802-233C	SP EYE 1/4-20X2 3/4
16	803-006C	NUT HEX 1/4-20 PLT
8	804-006C	WASHER LOCK SPRING 1/4 PLT
16	804-007C	WASHER FLAT 1/4 SAE PLT
4	816-366C	SEEDTUBE CORK
6	816-369C	TARP STRAP 20 WITH HOOKS
6	817-474C	7 1/2 TO 30IN SPACING COVER
3	890-750C	FOAM SEAL 1/2 X 3/4 X 204