



No-Till Air Drill Implement Harrow Option

Used with:

- NTA3010
- NTA3510



When you see this symbol, the subsequent instructions and warnings are serious - follow without exception. Your life and the lives of others depend on it!

General Information

These instructions explain how to install the harrow. The coil-tine harrow finishes no-till surfaces by leveling and distributing residue for enhanced seed emergence.

These instructions apply to:

- 116-171A NTA3510 Harrow
116-172A NTA3010 Harrow

Manual Update

Refer to the drill operator's manual for detailed information on safely operating, adjusting, troubleshooting and maintaining the harrow. Refer to the parts manual for part identification.

- NTA3010 and NTA3510 Operator's Manual 160-219M
- NTA3010 and NTA3510 Parts Manual 160-219P

Definitions

Right-hand and left-hand as used in this manual are determined by facing the direction the machine will travel while in use unless otherwise stated.

IMPORTANT: A crucial point of information related to the preceding topic. For safe and correct operation, read and follow the directions provided before continuing.

NOTE: Useful information related to the preceding topic.

Before You Start

Page 4 is a detailed listing of parts included in the harrow package. Use this list to inventory parts received.

Assembly Instructions

Refer to Figure 1.

1. To assemble the harrow on the implement center section, u-bolt the mounts to the rear frame tube. Bolt the offset mounts (1) so the mounting plate is 6 5/8 inches from the center of the wing pivot pin (2). Bolt the center-section mounts (3) so the edge of the mount is 5 3/4 inches from the edge of the center frame tube (4).
2. Bolt the hanger tubes (5) to the mounts using 1/2-inch bolts and nylock nuts.
3. Identify the harrow center sections. (Each center section has 26 tines.) U-bolt the center sections to the hanger tubes as shown. Mount center sections so that tine spacing is even.

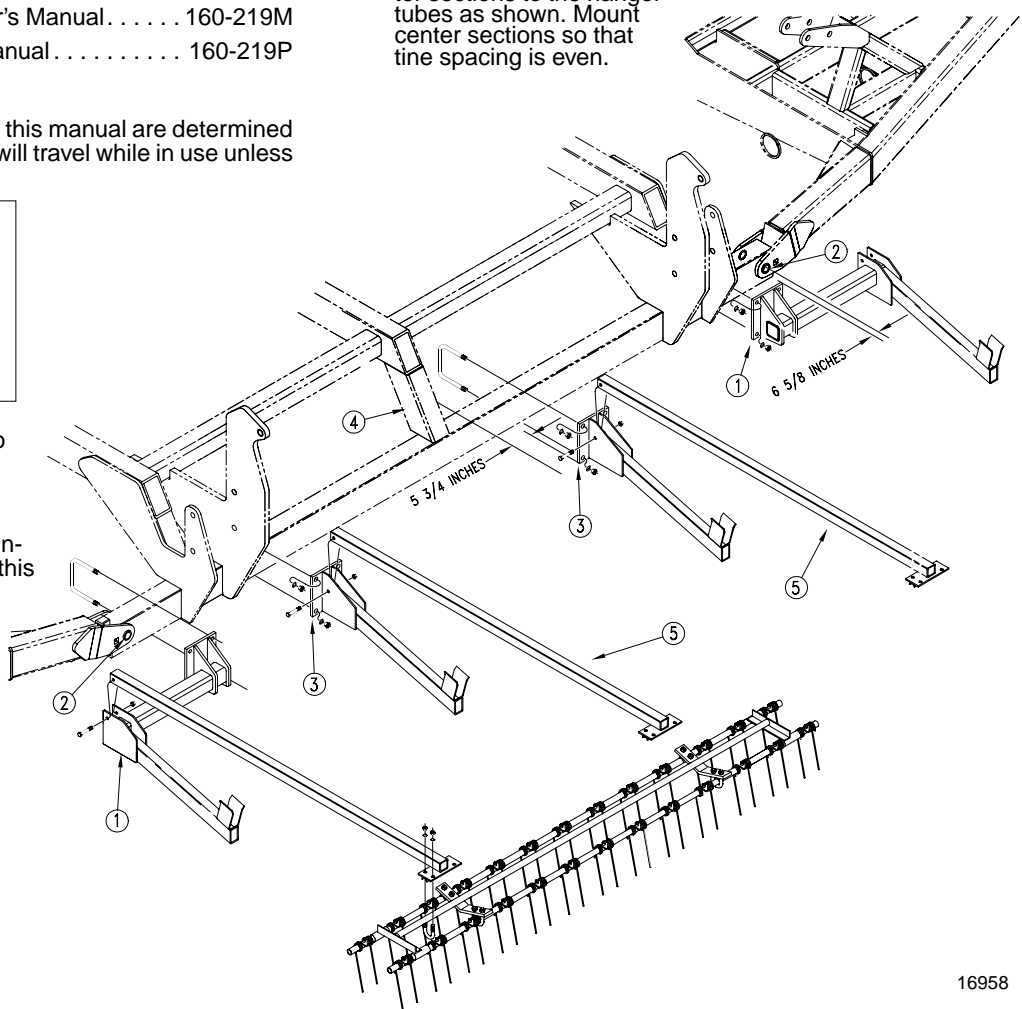


Figure 1
Harrow Assembly, Center Section

16958

Assembly

Refer to Figure 2.

- To assemble the harrow on the wings, bolt the wing mounts (1) to the frame tube at the dimension shown.

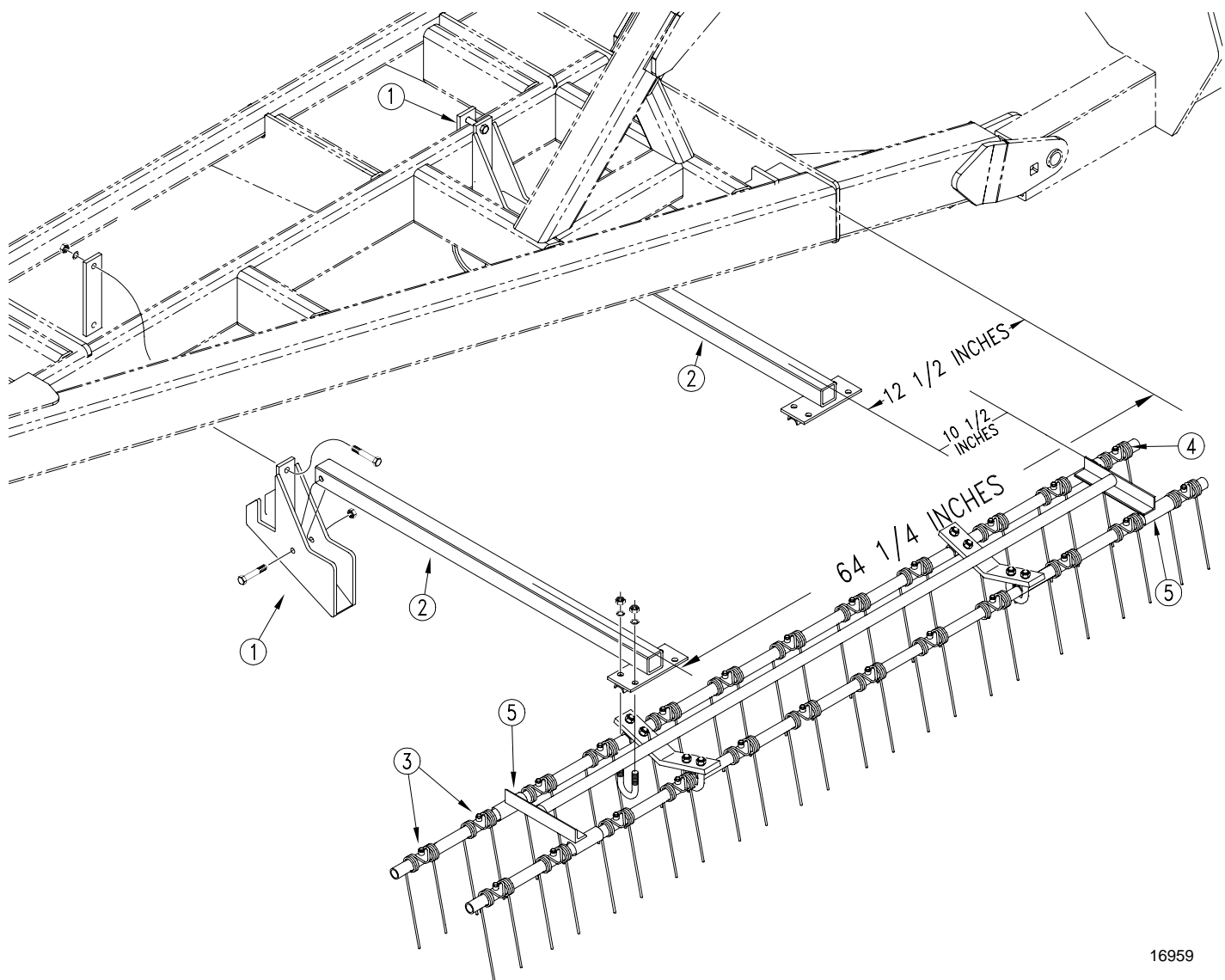
IMPORTANT: Do not position the wing mounts directly above an opener.

- Bolt the hanger tubes (2) to the wing mounts using 1/2-inch bolts and nylock nuts at the dimension shown.

- For the NTA3510, position wing sections so there are two sets of coil-tine teeth to the outside (3) and one to the inside (4) of the harrow frame (5).

NOTE: On the NTA3010, the wing sections are interchangeable.

- U-bolt the wing sections to the wings at the dimension shown.



16959

Figure 2
Harrow Assembly, Wing Sections

Setup

Figure 3 shows a successful harrow position for no-till conditions. Because of different soil moisture, trash levels and trash types, you may need to reposition the tube frame or tines. Initially position the frame and tines as shown.

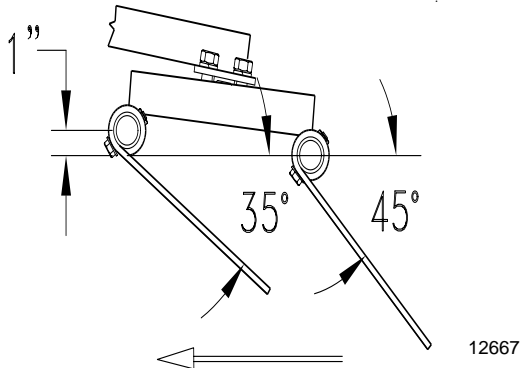


Figure 3
Tine Angle For No-Till Drilling

To adjust the frame, refer to Figure 4. Loosen the four hex nuts (1) on the u-bolts and rotate the frame tube (2) as necessary.

To adjust the tines, loosen the four 1/2-inch hex nuts (3) on the 1/2-inch u-bolts (4) on the support bar (5). Rotate tine tubes (6) so the tines (7) are against the stop bushings (8) and are angled back as necessary. Retighten hex nuts on u-bolts.

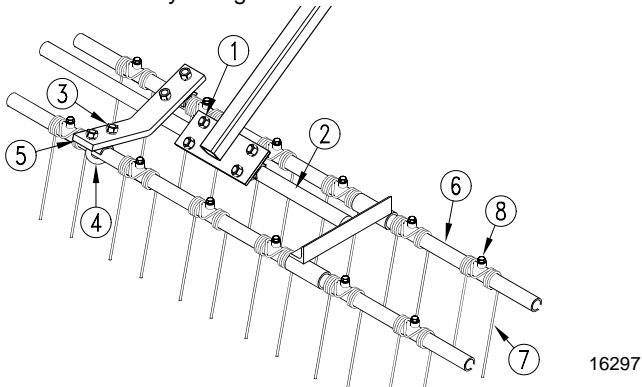


Figure 4
Harrow Adjustment

Listing of Parts**116-171A NTA3510 Harrow***Your Kit Includes:*

Qty.	Part No.	Part Description
2	116-180K	NTA HARROW CENTER AS
1	116-181K	NTA35 HARROW ASSY LH
1	116-182K	NTA35 HARROW ASSY RH
2	116-184K	NTA HARROW WING MNT
1	116-185K	NTA HARROW CTR MOUNT

116-172A NTA3010 Harrow*Your Kit Includes:*

Qty.	Part No.	Part Description
2	116-180K	NTA HARROW CENTER AS
2	116-183K	NTA30 HARROW ASSY WI
2	116-184K	NTA HARROW WING MNT
1	116-185K	NTA HARROW CTR MOUNT